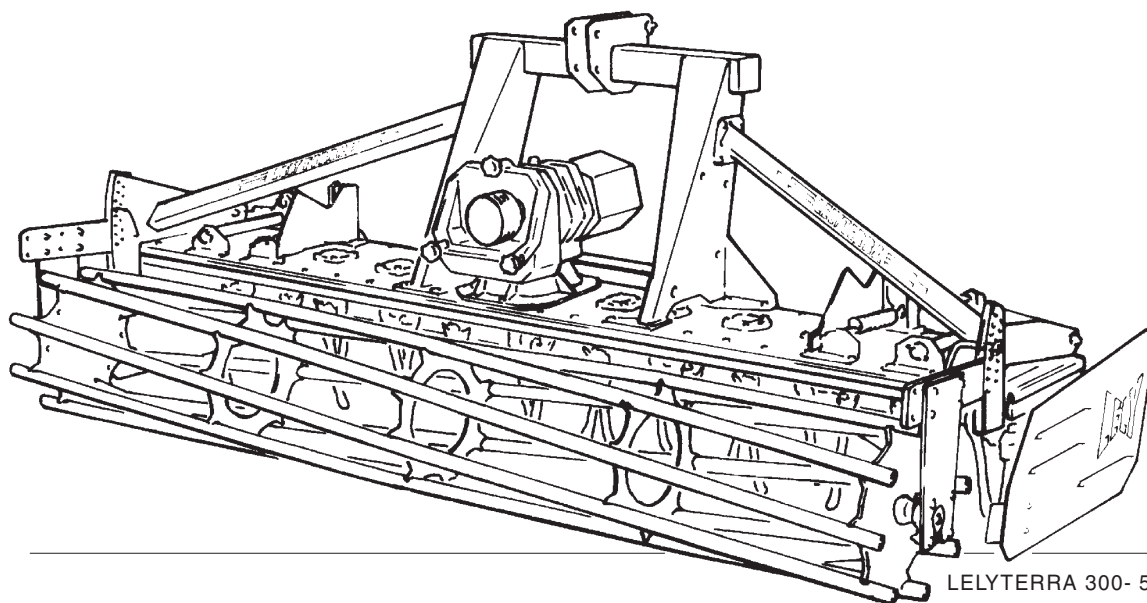


LELY

HIGH - TECH
IN AGRICULTURE

ONDERDELENLIJST
PARTS LIST
LISTE DE PIECES DE RECHANGE
ERSATZTEILLISTE

LELYTERRA 300 - 55C



LELYTERRA 300- 55C

LELYTERRA	type nummer type number numéro de type Typennummer	vanaf serienummer as from serial number après numéro série ab Seriennummer
300 - 55C	1.1655.0030.1	991 - 0512



ONDERDELEN

Bij het bestellen van onderdelen is het belangrijk dat u het type- en serienummer van uw machine opgeeft. Gebruik alleen originele LELY-onderdelen.

SPARE PARTS

When ordering spare parts, it is important that you indicate the type and serial number of your machine.

Use only genuine LELY parts.

PIECES DE RECHANGE

En commandant des pièces de rechange il importe que vous indiquiez les numéros de type et de série de votre machine.

N'utiliser que des pièces d'origines LELY.

ERSATZTEILE

Beim Bestellen von Ersatzteilen ist es wichtig, daß Sie die Typ- und Seriennummer Ihrer Maschine angeben.

Nur Original-LELY-Ersatzteile verwenden.

Typ- und Seriennummer in nebenstehende Abbildung eintragen. Bei künftigen Bestellungen haben Sie die Nummer dann griffbereit.

Vul het type- en serienummer hieronder in.

Bij toekomstige onderdelenbestellingen heeft u de nummers dan bij de hand.

Complete the box below with the type and serial number.

This is an easy reference with a view to future spare parts ordering.

Veillez noter, ci-dessous, les numéros de type et de serie.

Ceci est important pour toutes commandes de pièces de rechange.

LELY	LELY INDUSTRIES NV		CE
	3147 PA MAASSLUIS THE NETHERLANDS		
		kg	
Type			
Ser.Nr.			

Verklaring van de in de onderdelenlijst gebruikte tekens.

Explanation of signs used in the parts list.

Explication des signes qui figurent dans la liste des pièces.

Erklärung der in der Ersatzteilliste verwendeten Zeichen.

[R] = RECHTSE UITVOERING
RH VERSION

[L] = LINKSE UITVOERING
LH VERSION

Onder rechtse of linkse uitvoering wordt de plaats van het onderdeel verstaan, gezien van de achterzijde van de machine.

By RH or LH version the position of the part is meant, seen from the rear of the machine

[RD] = RECHTSOM DRAAIENDE UITVOERING
RH ROTATING VERSION

[LD] = LINKSOM DRAAIENDE UITVOERING
LH ROTATING VERSION

Onder rechtsom of linksom draaiende uitvoering wordt de draairichting van het onderdeel verstaan, gezien van de bovenzijde van de machine.

By RH or LH rotating version the sense of rotating of the part is meant, seen from the top of the machine.

[x] = ONDERDEEL WORDT NIET GETOOND
PART IS NOT SHOWN

Bijvoorbeeld linkse uitvoering overeenkomstig de wel getekende rechtse uitvoering.

E.g. : LH version is similar to the RH version, which is actually shown.

[#] = NIET LOS LEVERBAAR
NOT AVAILABLE SEPARATELY

~ = AANTAL (INDIEN NODIG) AFHANKELIJK VAN INBOUWMAAT
QUANTITY (IF APPLICABLE) DEPENDING UPON ASSEMBLY

[—] = SLUITRING

[—/—] = VEERRING

[####] = TANDVEERRING

[>|<] = OLIEKEERRING

[T+T] = TANDWIELSET

[D+D] = VULRINGSET

[A+A] = SET AFDICHTINGSRINGEN

WASHER

SPRING WASHER

SHAKE-PROOF WASHER

OIL SEAL

PAIR OF GEARS

SHIM SET

SET OF SEALING RINGS

VERSION DROITE
RECHTE AUSFÜHRUNG

VERSION GAUCHE
LINKE AUSFÜHRUNG

Par version droite ou gauche on entend la position de la pièce, vue de l'arrière de la machine.

Die Verweisungen "rechte Ausführung" oder "linke Ausführung" geben die Position des Teils, von der Hinterseite der Maschine aus gesehen, an.

VERSION ROTATION A DROITE
RECHTSUMDREHENDE AUSFÜHRUNG

VERSION ROTATION A GAUCHE
LINKSUMDREHENDE AUSFÜHRUNG

Version rotation à droit: ceci correspond au sens de rotation de la pièce, vue du dessus la machine.

Mit diesen Verweisungen wird die Drehrichtung des Teils von der Oberseite der Maschine aus gesehen, angegeben.

PIECE N'EST PAS MONTREE
TEIL WIRD NICHT GEZEIGT

Exemple : la version gauche est représentée. La version droite correspond à la version gauche, mais n'est pas représentée.

Beispiel : die linke Ausführung entspricht der effektiv gezeigten Rechten.

VENDU EN KIT UNIQUEMENT
NICHT SEPARAT LIEFERBAR

QUANTITE (SI NÉCESSAIRE) EN FONCTION DU MONTAGE
ANZAHL VOM EINBAUMASS ABHÄNGIG (WENN ERFORDERLICH)

RONDELLE PLATE

RONDELLE GROWER

RONDELLE EVENTAIL

ETANCHEITE

JEU D'ENGRENAGES

JEU D'EPAISSEURS

JEU D'ANNEAUX D'ETANCHEITE

UNTERLEGSCHIEBE

FEDERRING

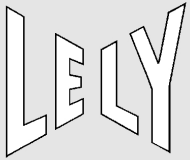
RÄNDELFEDEERING

ÖLDICHTUNGSRING

ZAHNRÄDERSATZ

PASSSCHEIBENSATZ

DICHTUNGSRINGENSATZ

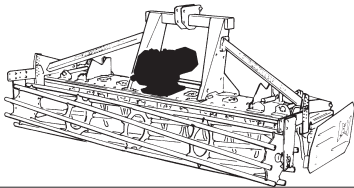


Inhoud
Contents
Index
Inhalt

LELYTERRA 300 - 55C page

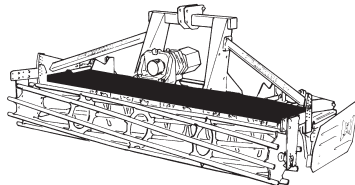
pagina

page
Seite



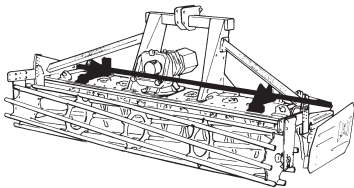
Tandwielkast
Gearbox
Boîte d'engrenages
Getriebe

01/02



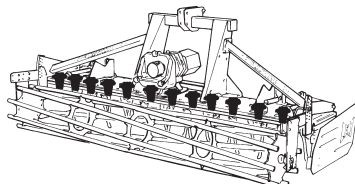
Tandwielgoot
Gear trough
Soubassement
Wanne

03



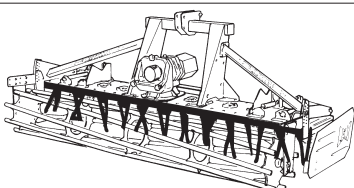
Rotorbescherming
Rotor guard
Protection-rotor
Rotorenschutz

04



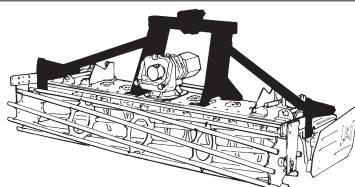
Rotoras
Rotor shaft
Axe-rotor
Rotorachse

05



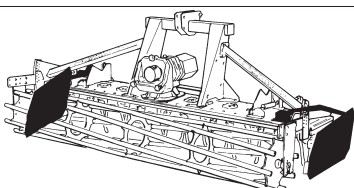
Tanden
Tines
Dents
Zinken

06



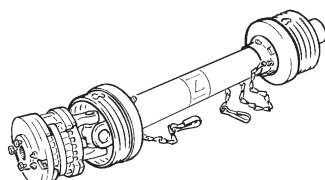
Driepuntsbok
Headstock
Tête d'attelage
Dreipunkturm

07



Grondgeleiders
Deflectors
Déflecteurs
Seitenplatten

08

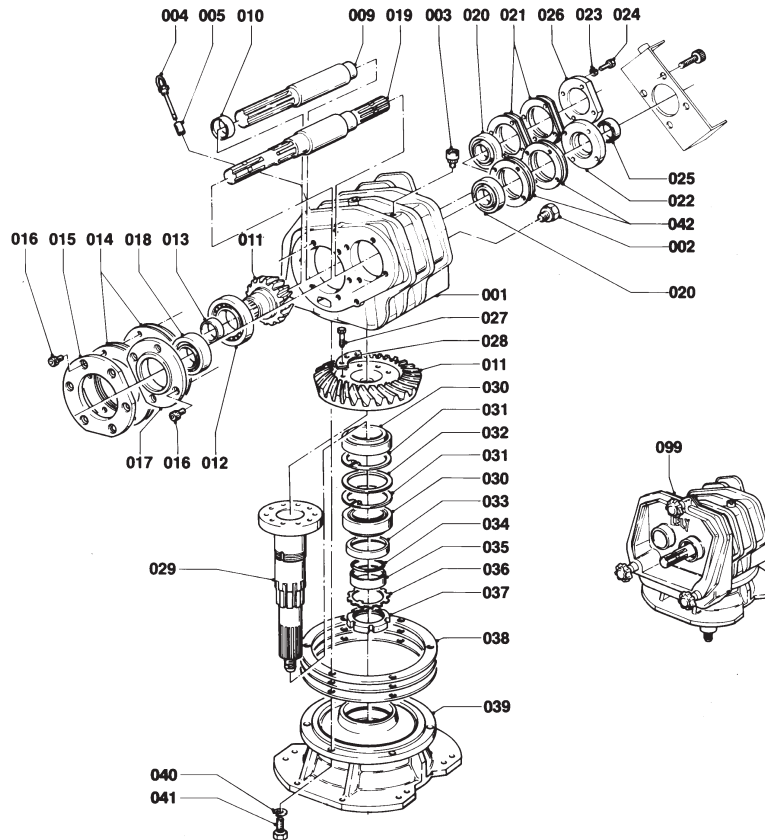
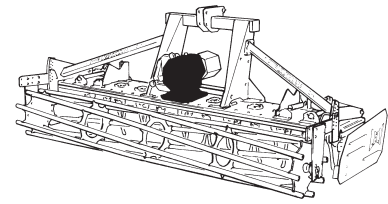


Koppelingsas
PTO shaft
Arbre de transmission
Gelenkwelle

09/10/11

LELY

LELYTERRA	type number type number numéro de type Typnummer	vanaf serienummer as from serial number après numéro de serie ab Seriennummer
300 - 55C	1.1655.0030.1	991 - 0501



C047.07.10

REF.	ONDERDEELNR. PART NUMBER REFERENCE TEILNUMMER	AANTAL QUANTITY QUANTITE ANZAHL
------	--	--

001	1.1645.0064.0	1
002	9.1131.0009.4	1
003	9.1150.0009.6	1
004	1.1607.0148.0	1
005	1.1620.0122.0	1
009	1.1645.0073.0	1
010	1.1645.0072.0	1
011	1.1645.0058.0	1
012	9.1002.0027.4	1
013	1.1645.0086.0	1
014	1.1645.0075.0	1
015	1.1645.0088.0	1
016	9.1057.0008.0	10
017	1.1645.0084.0	1
018	9.1002.0032.2	1
019	1.1645.0071.0	1
	1.1647.0077.0	(1)
020	9.1002.0016.0	2
021	1.1606.0869.0	1
022	1.1606.0005.0	1
023	9.1121.0004.2	4
024	9.1113.0029*0	4
025	9.1042.0022.1	1
026	1.1647.0076.0	1

REF.	ONDERDEELNR. PART NUMBER REFERENCE TEILNUMMER	AANTAL QUANTITY QUANTITE ANZAHL
------	--	--

027	1.1645.0069.0	6
028	1.1606.0023.0	3
029	1.1655.0712.0	1
030	9.1002.0029.6	2
031	9.1120.0015.0	2
032	9.1093.0086.0	~
033	9.1042.0048.6	1
034	9.1043.0012.4	1
035	1.1632.0248.0	1
036	9.1118.0008.2	1
037	9.1035.0006.6	1
038	1.1645.0076.0	1
039	1.1655.0714.0	1
040	9.1121.0011.2	6
041	9.1113.0050*0	6
042	1.1606.0024.1	1
099	1.1655.0702.1	1

M12x45 DIN 931-12.9

32013 X

100x3,00 DIN 472

80x100x0,2 DIN988 (max. 1x)

75x90x10 [»|«]

OR 64,77x2,62

MB 13

M65x2,0 KM 13

[D+D]

A12 DIN 127 [—/—]

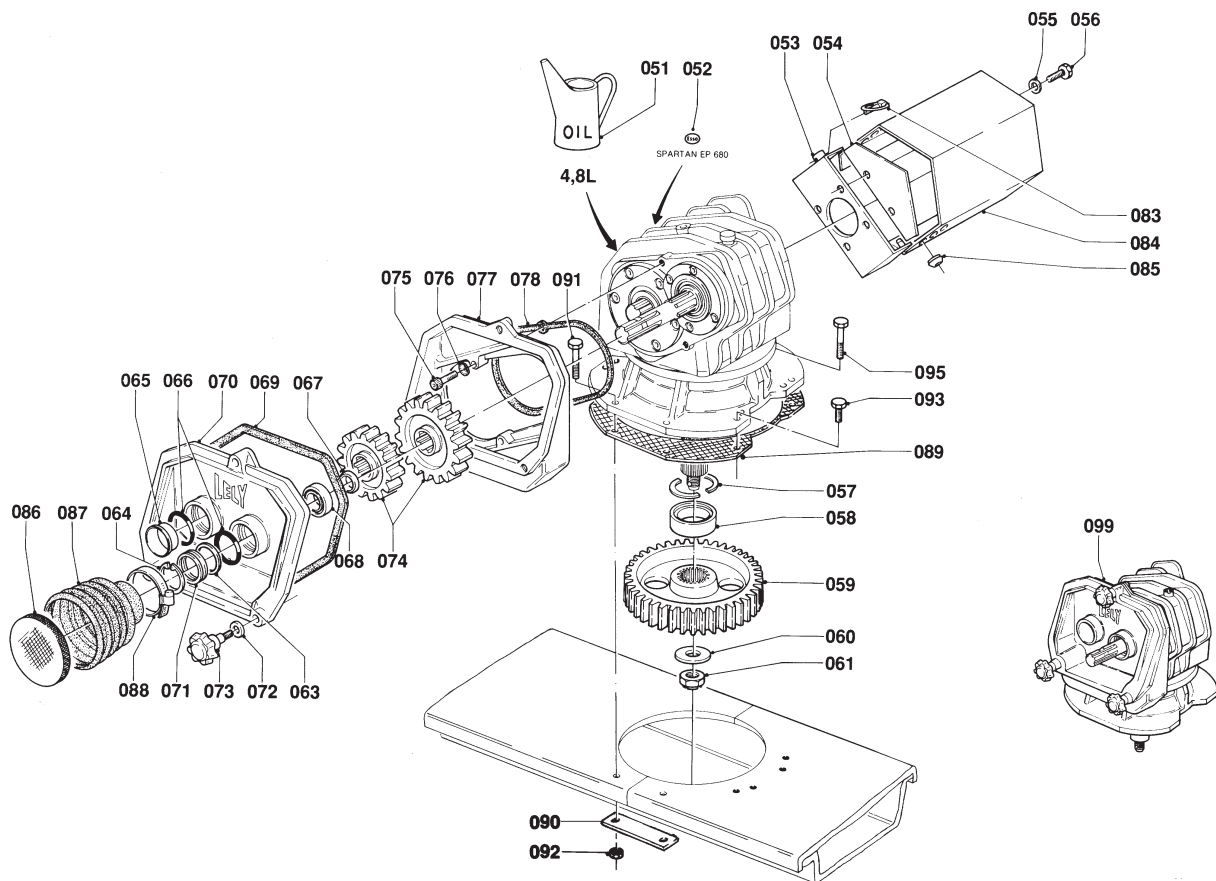
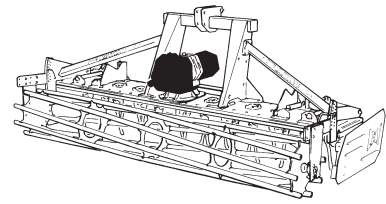
M12x30 DIN 933-8.8

[D+D]

= REF. 001-078 (21-6)

LELY

LELYTERRA	type nummer type number número de type Typnummer	vanaf serienummer as from serial number après numéro de serie ab Seriennummer
300 - 55C	1.1655.0030.1	991 - 0501



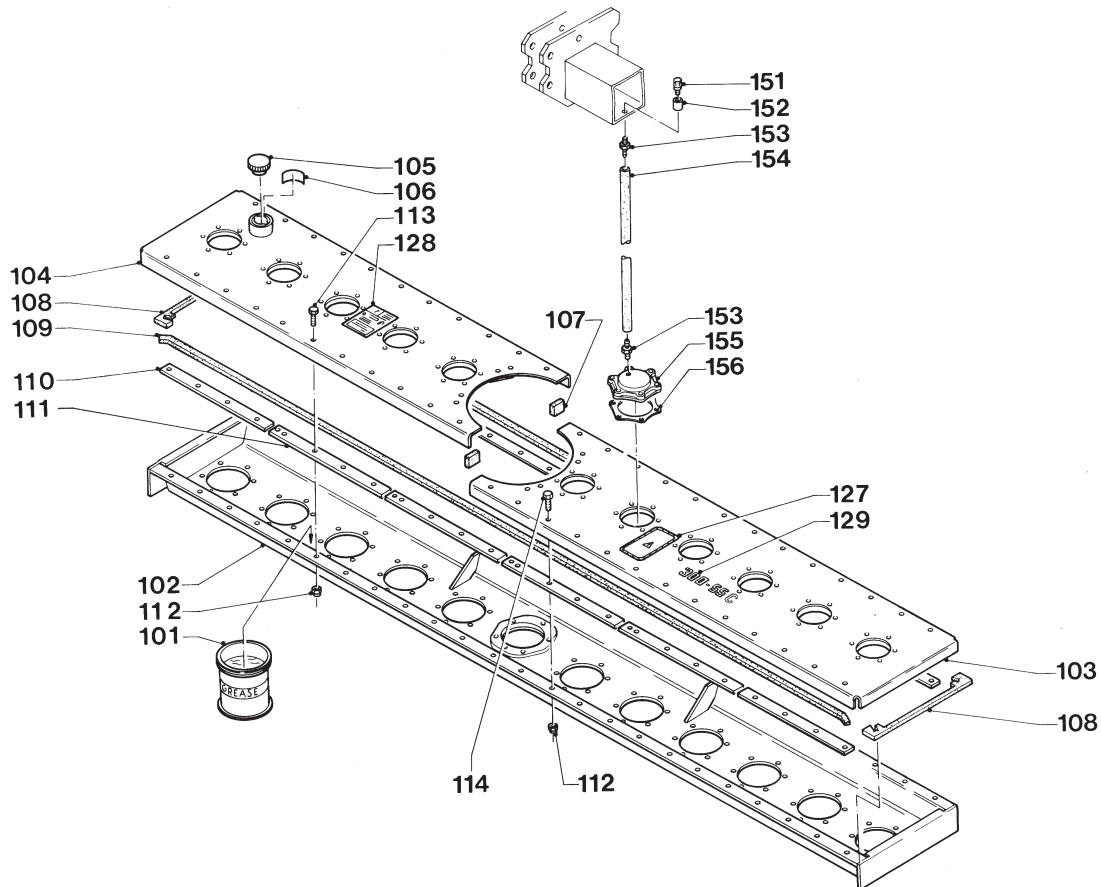
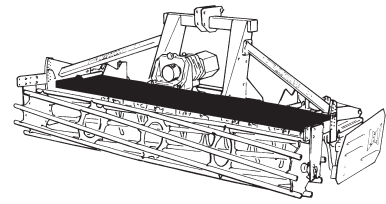
C78.03.10

REF.	ONDERDEELNR. PART NUMBER REFERENCE TEILNUMMER	AANTAL QUANTITY QUANTITE ANZAHL		
051	9.1171.0024.0	(4,8 L)	1 kg. ESSO SPARTAN EP 680	
	9.1171.0023.6	(4,8 L)	10 L. ESSO SPARTAN EP 680	
052	9.1170.0102.2	1	"ESSO SPARTAN EP 680"	
053	1.1647.0089.0	1		
054	1.1647.0100.0	1		
055	9.1121.0004.2	2	A10 DIN 127	[—/—]
056	9.1113.0120*0	2	M10x30 DIN 933-8.8	
057	1.1655.0717.0	2		
058	1.1655.0718.0	1		
059	1.1655.0364.0	1		
060	1.1655.0229.0	1	(+ REF. 320)	[—]
061	9.1031.0012.2	1	M36x1,5 DIN 937-17H (+ REF. 321)	
063	9.1052.0005.2	~	S50x62x3,0 DIN 988	
064	9.1120.0005.4	1	62x2,00 DIN 472	
065	1.1645.0087.0	1		
066	9.1043.0005.4	2	OR 61,60x2,62	
067	1.1645.0080.0	1		
068	9.1001.0086.1	1	6007 2RS1-C3	
069	#	1	1170 mm (1m= 9.1174.0023.3)	
070	1.1645.0082.0	1		
071	1.1645.0077.0	1	[D+D]	
072	9.1048.0012*6	3	A13 DIN 125	[—]
073	9.1141.0013.5	3	M12x45 DIN 6336	
074	1.1699.0568.8	1	19/16	[T+T]
	1.1699.0562.8	-	17/18	[T+T]
	1.1699.0560.8	-	15/20	[T+T]
	1.1699.0566.8	-	14/21	[T+T]
	1.1699.0570.8	-	13/22	[T+T]
	1.1699.0564.8	-	12/23	[T+T]

REF.	ONDERDEELNR. PART NUMBER REFERENCE TEILNUMMER	AANTAL QUANTITY QUANTITE ANZAHL		
075	9.1057.0019.4	2	M10x50 DIN 912-8.8	
076	9.1051.0002.0	2	A10,5 DIN 6798	[////]
077	1.1645.0089.0	1		
078	1.1645.0083.0	1		
083	9.1123.0003*6	1	Ø6	
084	1.1647.0090.0	1		
085	1.1603.0024.0	2		
086	1.1618.2116.0	1		
087	1.1632.1461.0	1		
088	9.1066.0002*6	1	Ø60-82	
089	1.1655.0360.0	1		
090	1.1624.1477.0	2		
091	9.1113.0233*1	4	M12x55 DIN 931-10.9	
092	9.1030.0024*1	4	M12 DIN 985-10	
093	9.1113.0259*6	8	M12x35 DIN 933-10.9	
095	9.1113.0242*3	1	M12x60 DIN 931-10.9	
099	1.1655.0702.1	1	= REF. 001-078 (21-6)	

LELY

LELYTERRA	type number type number numéro de type Typnummer	vanaf serienummer as from serial number après numéro de serie ab Seriennummer
300 - 55C	1.1655.0030.1 1.1655.0032.1	991 - 0501 10401 - 0501



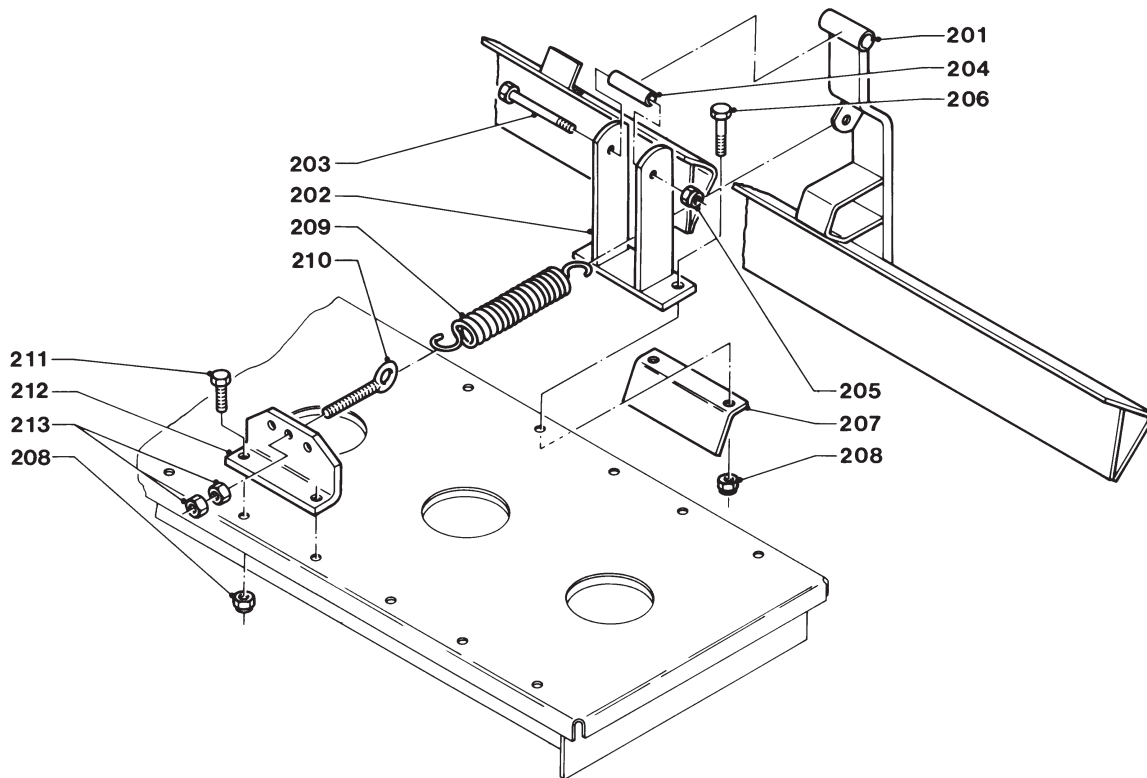
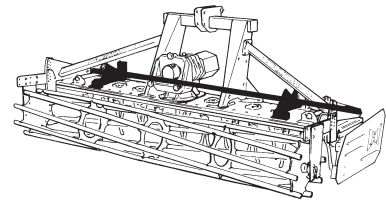
C103.03.10

REF.	ONDERDEELNR. PART NUMBER REFERENCE TEILNUMMER	AANTAL QUANTITY QUANTITE ANZAHL	
101	9.1171.0031.0 9.1171.0030.6 9.1171.0029.5 9.1171.0028.4	25kg - - -	1 kg ESSO EHL 484 XC 5 kg ESSO EHL 484 XC 10 kg ESSO EHL 484 XC 180 kg ESSO EHL 484 XC
102	1.1655.0770.0	1	12x Ø
103	1.1655.0800.0	1	6x Ø [R]
104	1.1655.0790.0	1	5x Ø [L]
105	1.1606.0460.0	1	
106	9.1170.0264.3	1	"EHL 484 XC ESSO"
107	#	2	50 mm (1m= 9.1174.0034.0)
108	1.1645.1495.0	2	
109	#	2	2915 mm (1m= 9.1174.0038.4)
110	1.1655.1490.0	4	[R]+[L]
111	1.1632.1472.0	8	
112	9.1030.0024*1	10	M12 DIN 985-10
113	9.1113.0147*6	7	M12x30 DIN 933-10.9
114	9.1113.0259*6	2	M12x35 DIN 933-10.9

REF.	ONDERDEELNR. PART NUMBER REFERENCE TEILNUMMER	AANTAL QUANTITY QUANTITE ANZAHL	
127	9.1170.0201.3	1	
128	9.1170.0304.0	1	
129	9.1170.0309.6	1	"300-55C"
151	9.1150.0009.6	1	3/8" SW 22
152	9.1132.0004.5	1	G 3/8"
153	9.1137.0013.2	2	Ø9 3/8"
154	#	1	675 mm (1m= 9.1065.0048.4)
155	1.1655.0859.0	1	(+ REF. 302)
156	1.1655.0838.0	1	(+ REF. 303)

LELY

LELYTERRA	type number type number numéro de type Typnummer	vanaf serienummer as from serial number après numéro de serie ab Seriennummer
300 - 55C	1.1655.0030.1	10991 - 0501



C104.02.00

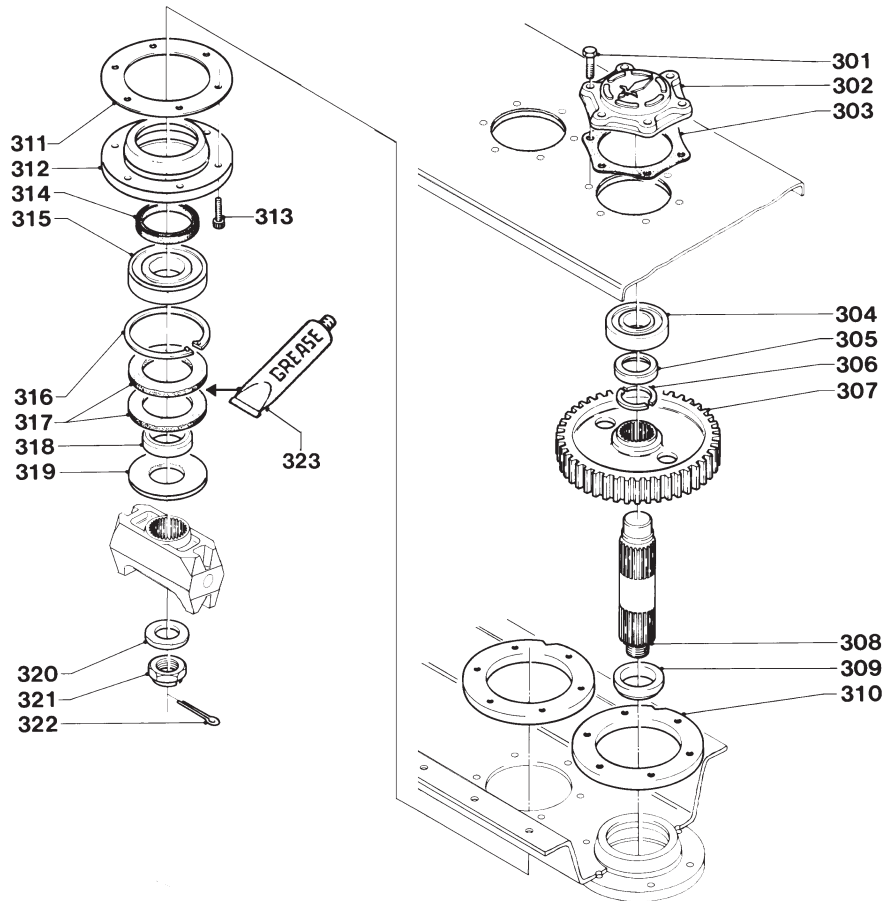
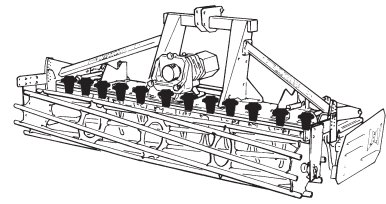
REF.	ONDERDEELNR. PART NUMBER REFERENCE TEILNUMMER	AANTAL QUANTITY QUANTITE ANZAHL	
------	--	--	--

201	1.1655.0891.0	1	
202	1.1624.0071.0	2	
203	9.1113.0144*3	2	M10x100 DIN 931-8.8
204	1.1633.1497.0	2	
205	9.1030.0004*2	2	M10 DIN 985-8
206	9.1113.0233*1	4	M12x55 DIN 931-10.9
207	1.1655.1491.0	3	
208	9.1030.0024*1	8	M12 DIN 985-10
209	1.1633.1496.0	2	
210	1.1633.1495.0	2	
211	9.1113.0155*0	4	M12x40 DIN 933-10.9
212	1.1624.1484.0	2	
213	9.1029.0008*0	4	M12 DIN 934-8

REF.	ONDERDEELNR. PART NUMBER REFERENCE TEILNUMMER	AANTAL QUANTITY QUANTITE ANZAHL	
------	--	--	--

LELY

LELYTERRA	type number type number numéro de type Typnummer	vanaf serienummer as from serial number après numéro de serie ab Seriennummer
300 - 55C	1.1655.0030.1	991 - 0501



C105.02.10

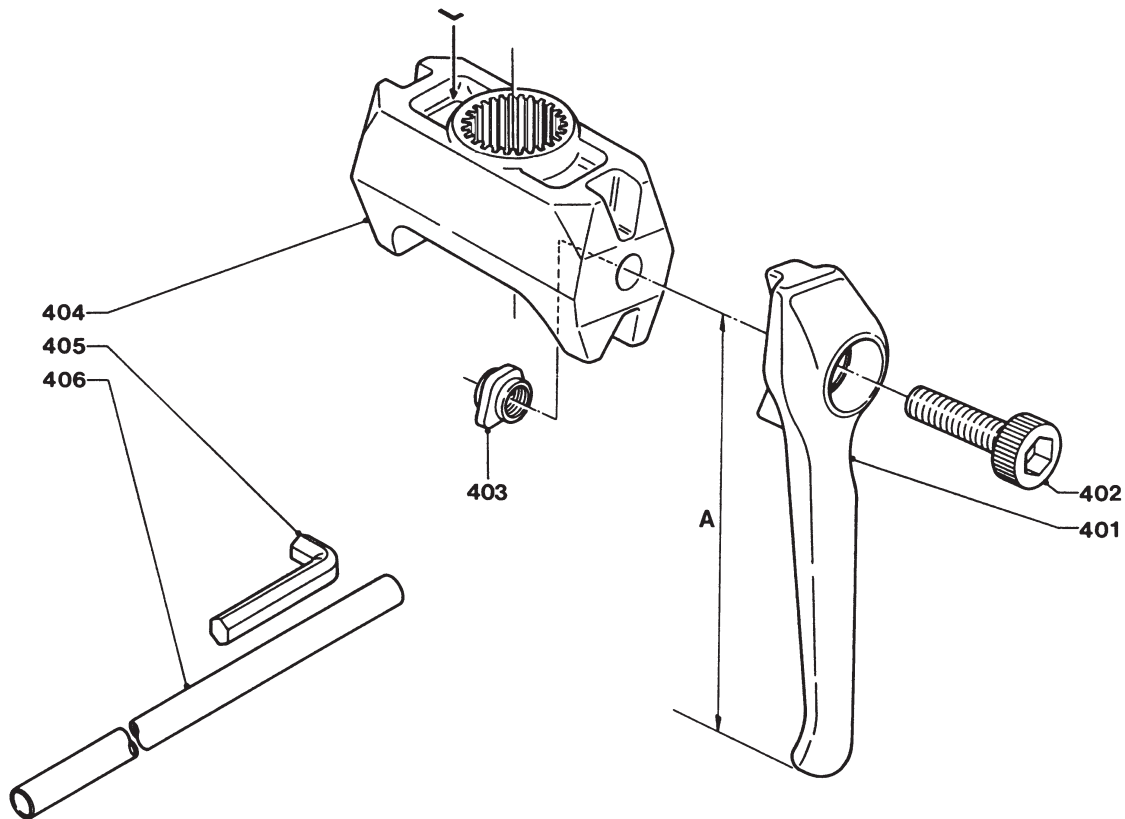
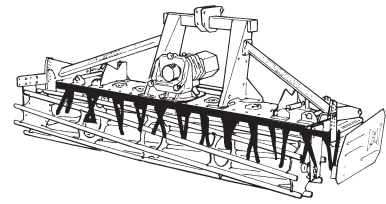
REF.	ONDERDEELNR. PART NUMBER REFERENCE TEILNUMMER	AANTAL QUANTITY QUANTITE ANZAHL	
------	--	--	--

301	9.1113.0252*6	66	M12x45 DIN 931-10.9
302	1.1655.0839.0	10	(+ REF. 155)
303	1.1655.0838.0	10	(+ REF. 156)
304	9.1001.0111.5	11	6309 2Z-C3-MT33B
305	1.1655.0239.0	11	
306	1.1655.0238.0	22	
307	1.1655.0235.0	11	
308	1.1655.0831.0	11	
309	1.1655.0837.0	11	
	1.1655.0868.0	1	[x]
310	1.1655.0836.0	11	
311	1.1655.0835.0	12	
312	1.1655.0834.0	11	
	1.1655.0869.0	1	[x]
313	9.1057.0014.6	72	M12x35 DIN 912-12.9
314	9.1042.0072.2	11	75x105x13 DB [» «]
	9.1042.0073.3	1	100x120x10 DB [» «]
315	9.1001.0112.6	12	6311 2RS1-C3-MT33B
316	9.1120.0017.2	11	120x4,00 DIN 472
317	9.1106.0024.2	24	75x120x6,35
318	1.1655.0833.0	12	
319	1.1655.0832.0	12	
320	1.1655.0229.0	11	(+ REF. 060)
321	9.1031.0012.2	11	M36x1,5DIN 937-17H (+ REF. 061)
322	9.1072.0011.2	12	6,3x63 DIN 94
323	BEACON 3	12	(1x= 0,055kg)

REF.	ONDERDEELNR. PART NUMBER REFERENCE TEILNUMMER	AANTAL QUANTITY QUANTITE ANZAHL	
------	--	--	--

LELY

LELYTERRA	type number type number numéro de type Typnummer	vanaf serienummer as from serial number après numéro de serie ab Seriennummer
300 - 55C	1.1655.0010.1 1.1655.0030.1	986 - 0501 991 - 0501



C106.03.00

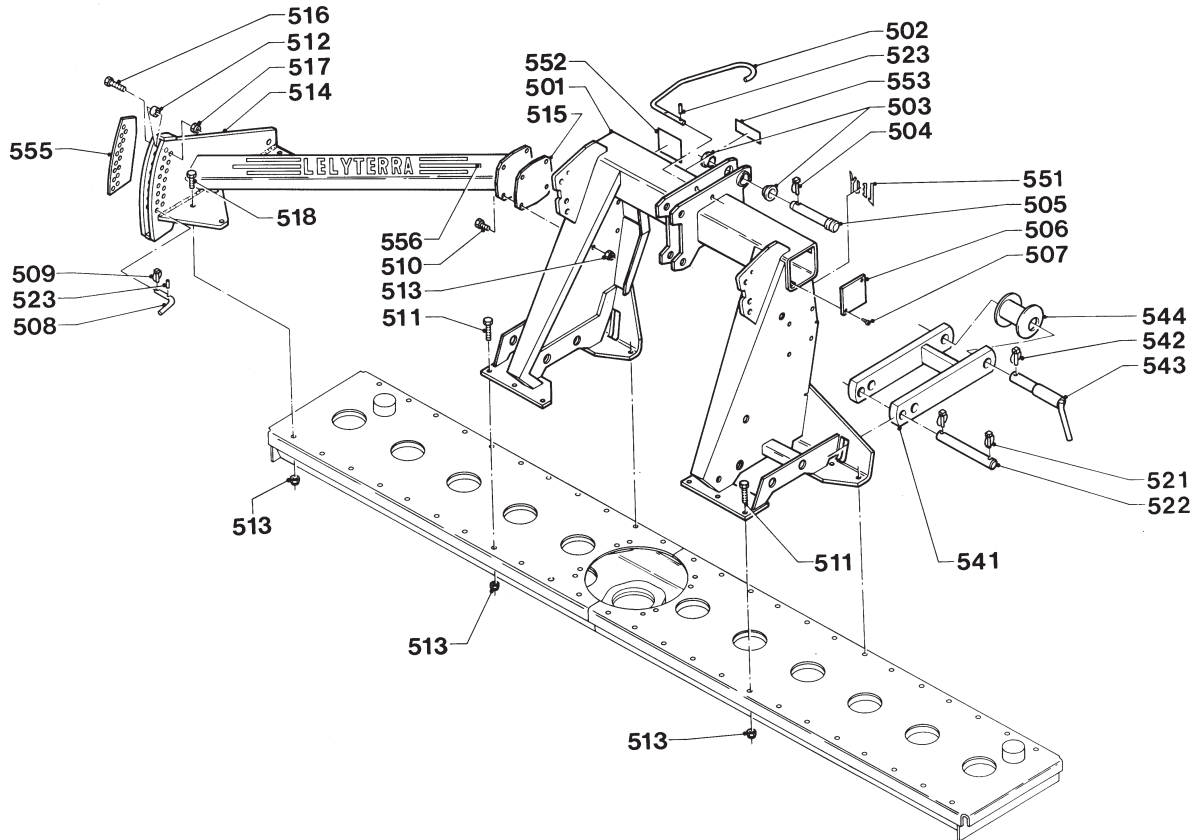
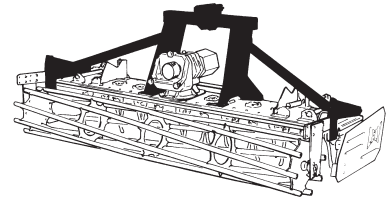
REF.	ONDERDEELNR. PART NUMBER REFERENCE TEILNUMMER	AANTAL QUANTITY QUANTITE ANZAHL		
------	--	--	--	--

401	1.1699.0111.0 1.1699.0112.0	12 12	[LD] [RD][x]	A= 296 mm Druppeltand Club tines Dents a goutter Tropfenzinken
401	1.1699.0122.0 1.1699.0123.0	(12) (12)	[LD][x] [RD][x]	A= 296 mm Mestanden Blade tines Dents couteaux Messerzinken
401	1.1699.0124.0 1.1699.0125.0	(12) (12)	[LD] [RD][x]	A= 336 mm Lange tanden Long tines Dents longues Lange Zinken
402	9.1057.0035.6	24		M20x70 DIN 912-12.9
403	1.1645.0419.0	24		
404	1.1655.0245.0 1.1655.0257.0	6 6	[LD] [RD][x]	
405	9.1074.0020.2	1		SLW 17
406	9.9002.0002.0	1		

REF.	ONDERDEELNR. PART NUMBER REFERENCE TEILNUMMER	AANTAL QUANTITY QUANTITE ANZAHL		
------	--	--	--	--

LELY

LELYTERRA	type nummer type number número de type Typnummer	vanaf serienummer as from serial number après numéro de serie ab Seriennummer
300 - 55C	1.1655.0030.1	991 - 0512



C107.04.11

REF.	ONDERDEELNR. PART NUMBER REFERENCE TEILNUMMER	AANTAL QUANTITY QUANTITE ANZAHL	
------	--	--	--

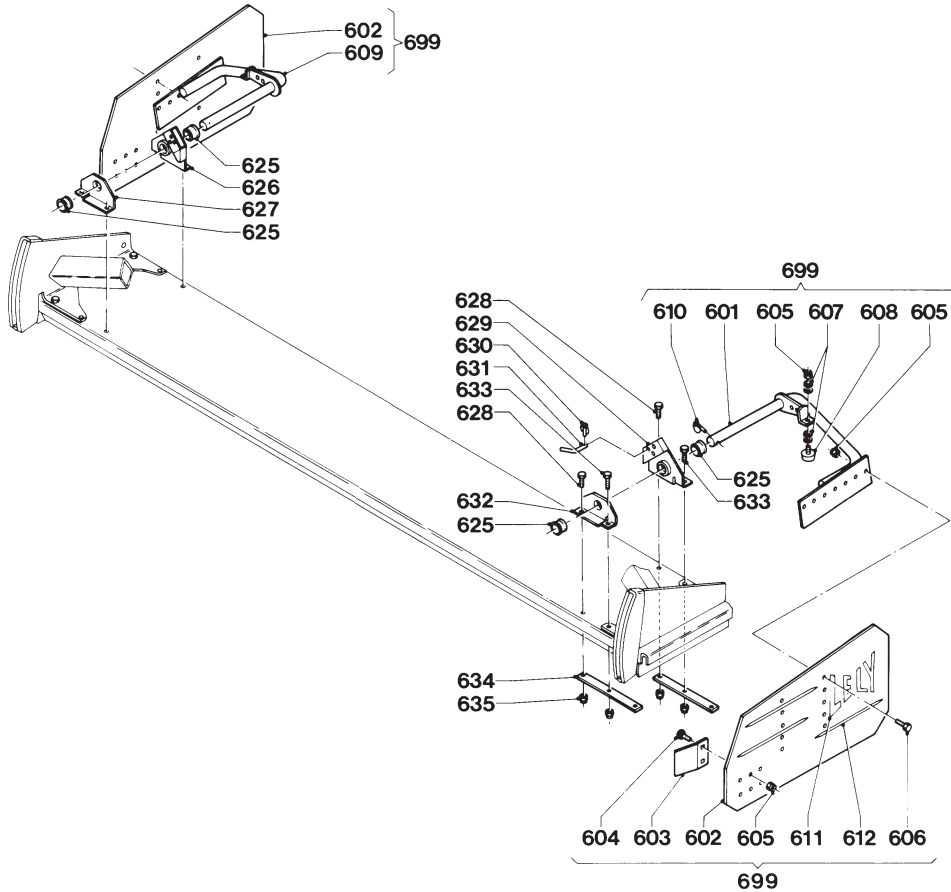
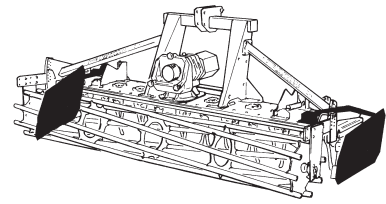
501	1.1655.0431.0	1	
502	1.1606.4187.0	1	
503	1.1636.2079.0	2	
504	9.1123.0002*5	1	Ø11
505	9.1088.0004*0	1	(25,4-105) CAT.II
506	1.1624.1482.0	2	
507	9.1064.0002.1	4	4,8x13 DIN 7976C EV
508	1.1636.1483.0	2	
509	9.1123.0003*6	2	Ø6
510	9.1113.0259*6	8	M12x35 DIN 933-10.9
511	9.1113.0233*1	10	M12x55 DIN 931-10.9
512	1.1645.2400.0	2	
513	9.1030.0024*1	26	M12 DIN 985-10
514	1.1655.0481.0	1	[L]
	1.1655.0461.0	1	[R][x]
515	1.1655.1493.0	2	
516	9.1113.0056*6	2	M12x55 DIN 931-8.8
517	9.1030.0013*4	2	M12
518	9.1113.0226*1	9	M12x50 DIN 931-10.9
521	9.1123.0004*0	4	Ø8
522	1.1655.1492.0	2	
523	9.1070.0017.3	4	Ø6x30 DIN 1481

REF.	ONDERDEELNR. PART NUMBER REFERENCE TEILNUMMER	AANTAL QUANTITY QUANTITE ANZAHL	
------	--	--	--

541	1.1655.0521.0	2	
542	9.1123.0002*5	2	Ø11
543	1.1655.0530.0	2	Ø28-36
544	1.1655.0680.0	(2)	
551	9.1170.0200.2	1	"LELY"
552	9.1170.0087.1	1	"Ø9/0","10/1"
553	9.1170.0052.1	1	
555	9.1170.0275.0	1	"ABCD" [L]
	9.1170.0276.1	1	"ABCD" [R][x]
556	9.1170.0290.1	1	"LELYTERRA" [L]
	9.1170.0291.2	1	"LELYTERRA" [R][x]

LELY

LELYTERRA	type number type number numéro de type Typnummer	vanaf serienummer as from serial number après numéro de serie ab Seriennummer
300 - 55C	1.1655.0010.1	986 - 0501
	1.1655.0030.1	991 - 0501
	1.1655.0032.1	10503 - 0501



C108.01.00

REF.	ONDERDEELNR. PART NUMBER REFERENCE TEILNUMMER	AANTAL QUANTITY QUANTITE ANZAHL	
------	--	--	--

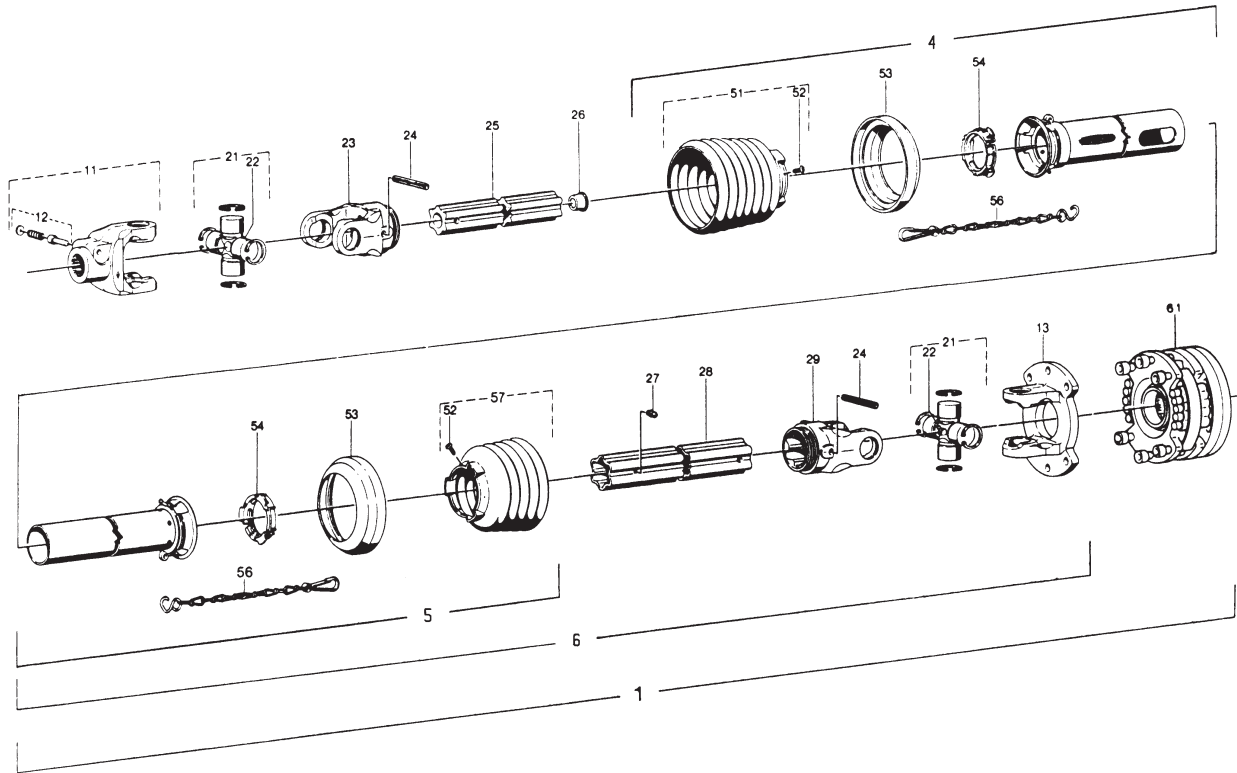
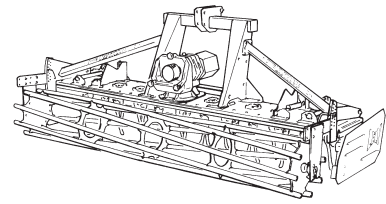
601	1.1625.2281.0	1	[R]
602	1.1645.0156.0	2	
603	1.1645.0157.0	2	
604	9.1058.0027*4	4	M10x25 DIN 603
605	9.1030.0004*2	10	M10 DIN 985-8
606	9.1113.0120*0	4	M10x30 DIN 933-8.8
607	9.1048.0007*1	8	A10,5 DIN 125 [—]
608	9.1105.0011.4	2	M10x28
609	1.1625.2271.0	1	[L]
610	9.1123.0004*0	2	Ø8
611	9.1170.0113.6	2	"LELY"
612	9.1170.0179.2	6	
625	1.1636.1484.0	4	
626	1.1655.0491.0	1	[L]
627	1.1655.1495.0	1	[L]
628	9.1113.0226*1	4	M12x55 DIN 931-10.9
629	1.1655.0501.0	1	[R]
630	9.1123.0003*6	2	Ø6
631	4.1011.0033.0	2	
632	1.1655.1494.0	1	[R]
633	9.1113.0233*1	4	M12x55 DIN 931-10.9
634	1.1624.1485.0	5	
635	9.1030.0024*1	8	M12 DIN 985-10

REF.	ONDERDEELNR. PART NUMBER REFERENCE TEILNUMMER	AANTAL QUANTITY QUANTITE ANZAHL	
------	--	--	--

699	1.1625.2260.0	1	= REF. 601-612 [R]+[L]
-----	---------------	---	------------------------

LELY

LELYTERRA	type number type number numéro de type Typnummer	vanaf serienummer as from serial number après numéro de série ab Seriennummer
300 - 55C	1.1655.0010.1 1.1655.0030.1	986 - 0501 991 - 0501



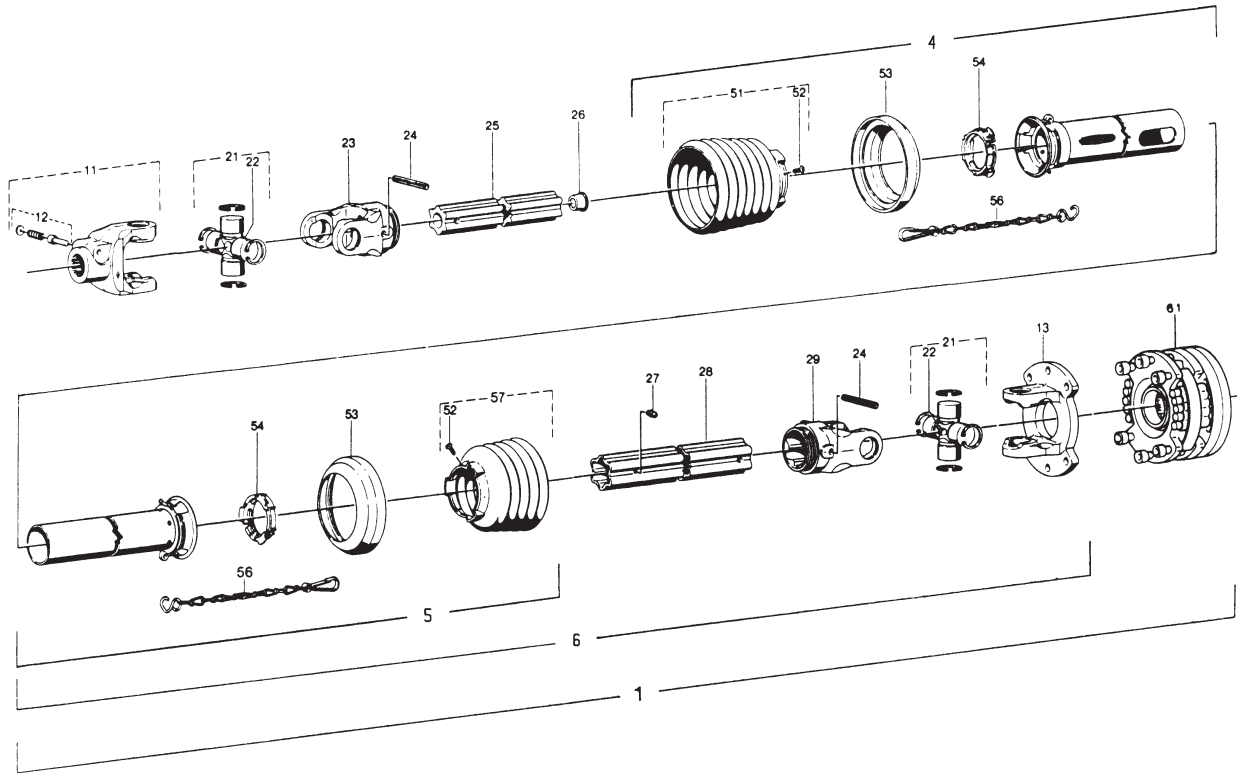
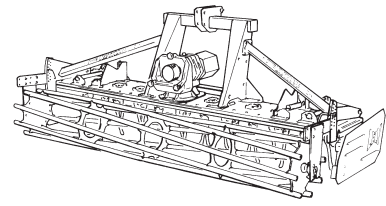
Cw001.05.20

REF.	ONDERDEELNR. PART NUMBER REFERENCE TEILNUMMER	AANTAL QUANTITY QUANTITE ANZAHL	
1	0.9001.3920.0	1	W2500-SD25F-710 - 1000/min. = REF. 11-61
4	85.227	1	SDH25F; L= 470 mm
5	85.204	1	SDH25; L= 420 mm
6	9.1154.0058.2	1	W2500-SD25F-710 = REF. 11-57
11	36.10.00	1	1.3/8" (6)
12	33.91.07	1	AGRASET 101
13	0.9001.1198.0	1	
21	36.00.00	2	M 8x1
22	63.27.00	2	RG2500-S4
23	36.13.100	1	Ø10x90 DIN 1481
24	61.05.12	2	S4GA/L= 560 mm
25	75.44.98	1	
26	68.13.22	1	AM5
27	63.33.00	1	S5; L= 545 mm
28	75.45.114	1	RG2500-S5
29	36.14.100	1	
51	85.26.07	1	n= 7
52	60.15.00	2	4x10
53	82.85.03	2	
54	82.83.04	2	
56	82.36.03	2	
57	85.26.05	1	n= 5
61	0.9001.1320.0 0.9001.1147.1	1 -	LELYMATIC BA9-1.3/8" (21) (=10x Ø9-0) [x]

REF.	ONDERDEELNR. PART NUMBER REFERENCE TEILNUMMER	AANTAL QUANTITY QUANTITE ANZAHL	
1	0.9001.3921.0	1	W2500-SD25F-710 - 1000/min. = REF. 11-61
4	85.227	1	SDH25F; L= 470 mm
5	85.204	1	SDH25; L= 420 mm
6	9.1154.0059.3	1	W2500-SD25F-710 = REF. 11-57
11	36.10.02	1	1.3/8" (21)
12	33.91.07	1	AGRASET 101
13	0.9001.1198.0	1	
21	36.00.00	2	M 8x1
22	63.27.00	2	RG2500-S4
23	36.13.100	1	Ø10x90 DIN 1481
24	61.05.12	2	S4GA/L= 560 mm
25	75.44.98	1	
26	68.13.22	1	AM5
27	63.10.01	1	S5; L= 545 mm
28	75.45.114	1	RG2500-S5
29	36.14.100	1	
51	85.26.07	1	n= 7
52	60.15.00	2	4x10
53	82.85.03	2	
54	82.83.04	2	
56	82.36.03	2	
57	85.26.05	1	n= 5
61	0.9001.1320.0 0.9001.1147.1	1 -	LELYMATIC BA9-1.3/8" (21) (=10x Ø9-0) [x]

LELY

LELYTERRA	type number type number numéro de type Typnummer	vanaf serienummer as from serial number après numéro de serie ab Seriennummer
300 - 55C	1.1655.0010.1 1.1655.0030.1	986 - 0501 991 - 0501



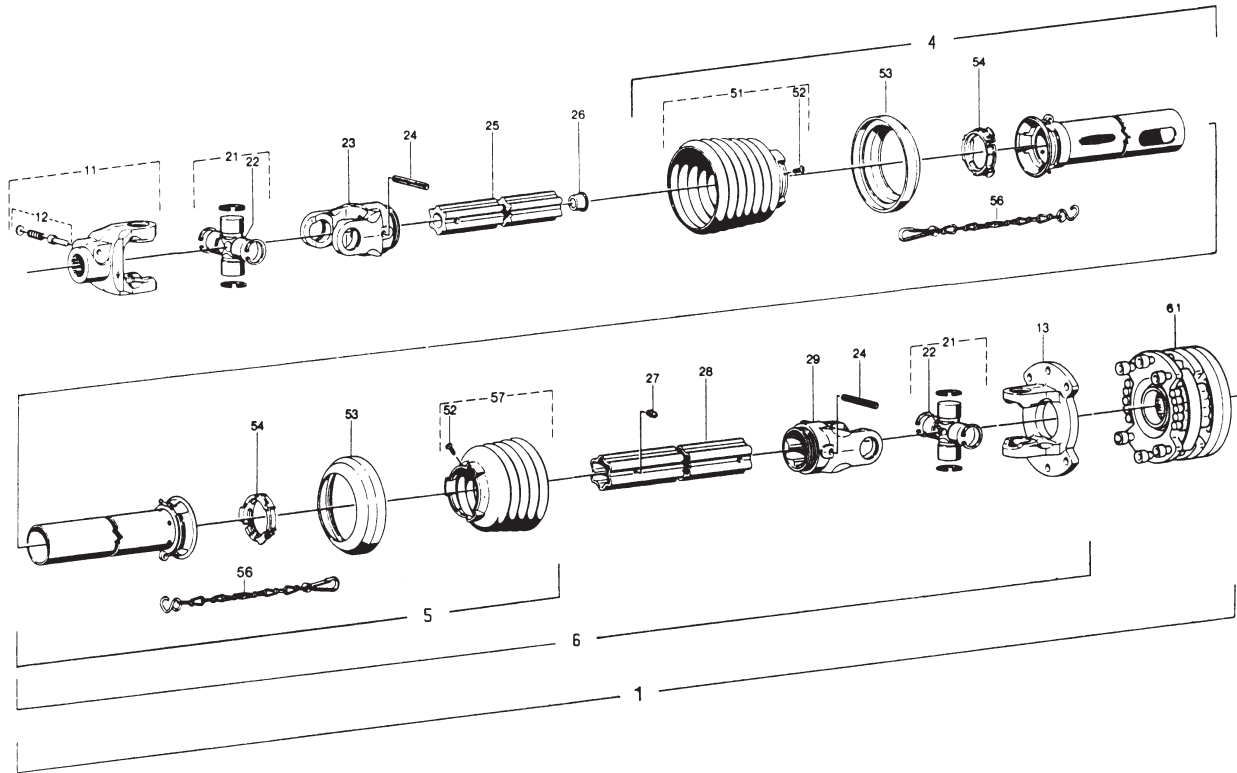
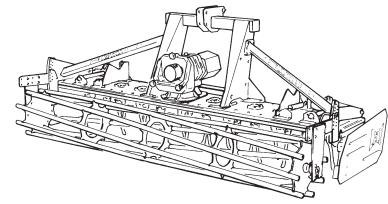
Cw001.05.20

REF.	ONDERDEELNR. PART NUMBER REFERENCE TEILNUMMER	AANTAL QUANTITY QUANTITE ANZAHL	
1	0.9001.3929.0	1	W2500-SD25F-710 - 1000/min. = REF. 11-61
4	85.227	1	SDH25F; L= 470 mm
5	85.204	1	SDH25; L= 420 mm
6	9.1154.0059.3	1	W2500-SD25F-710 = REF. 11-57
11	36.10.02	1	1.3/8" (21)
12	33.91.07	1	AGRASET 101
13	0.9001.1198.0	1	
21	36.00.00	2	
22	63.27.00	2	M 8x1
23	36.13.100	1	RG2500-S4
24	61.05.12	2	Ø10x90 DIN 1481
25	75.44.98	1	S4GA/L= 560 mm
26	68.13.22	1	
27	63.10.01	1	AM5
28	75.45.114	1	S5; L= 545 mm
29	36.14.100	1	RG2500-S5
51	85.26.07	1	n= 7
52	60.15.00	2	4x10
53	82.85.03	2	
54	82.83.04	2	
56	82.36.03	2	
57	85.26.05	1	n= 5
61	0.9001.1630.0	1	LELYMATIC BA9-1.3/8" (21)
	0.9001.1147.1	-	(=10x Ø9-0) [x]

REF.	ONDERDEELNR. PART NUMBER REFERENCE TEILNUMMER	AANTAL QUANTITY QUANTITE ANZAHL	
1	0.9001.3933.0	1	W2500-SD25F-710 - 1000/min. = REF. 11-61
4	85.227	1	SDH25F; L= 470 mm
5	85.204	1	SDH25; L= 420 mm
6	9.1154.0058.2	1	W2500-SD25F-710 = REF. 11-57
11	36.10.00	1	1.3/8" (6)
12	33.91.07	1	AGRASET 101
13	0.9001.1198.0	1	
21	36.00.00	2	
22	63.27.00	2	M 8x1
23	36.13.100	1	RG2500-S4
24	61.05.12	2	Ø10x90 DIN 1481
25	75.44.98	1	S4GA; L= 560 mm
26	68.13.22	1	
27	63.33.00	1	AM5
28	75.45.114	1	S5; L= 545 mm
29	36.14.100	1	RG2500-S5
51	85.26.07	1	n= 7
52	60.15.00	2	4x10
53	82.85.03	2	
54	82.83.04	2	
56	82.36.03	2	
57	85.26.05	1	n= 5
61	0.9001.1320.0	1	LELYMATIC BA9-1.3/8" (21)
	0.9001.1147.1	-	(=10x Ø9-0) [x]

LELY

LELYTERRA	type nummer type number número de type Typnummer	vanaf serienummer as from serial number après numéro de serie ab Seriennummer
300 - 55C	1.1655.0010.1 1.1655.0030.1	986 - 0501 991 - 0501



Cw001.05.20

REF.	ONDERDEELNR. PART NUMBER REFERENCE TEILNUMMER	AANTAL QUANTITY QUANTITE ANZAHL	
1	0.9001.4120.0	1	W2500-SD25F-710 - 540/min. = REF. 11-61
4	85.227	1	SDH25F; L= 470 mm
5	85.204	1	SDH25; L= 420 mm
6	9.1154.0058.2	1	W2500-SD25F-710 = REF. 11-57
11	36.10.00	1	1.3/8" (6)
12	33.91.07	1	AGRASET 101
13	0.9001.1198.0	1	
21	36.00.00	2	M8x1
22	63.27.00	2	
23	36.13.100	1	RG2500-S4
24	61.05.12	2	Ø10x90 DIN 1481
25	75.44.98	1	S4GA; L= 560 mm
26	68.13.22	1	
27	63.10.01	1	AM5
28	75.45.114	1	S5; L= 545 mm
29	36.14.100	1	RG2500-S5
51	85.26.07	1	n= 7
52	60.15.00	2	4x10
53	82.85.03	2	
54	82.83.04	2	
56	82.36.03	2	
57	85.26.05	1	n= 5
61	0.9001.1370.0 0.9001.1249.1	1 -	LELYMATIC BA10-1.3/8" (21) (=10x Ø10-1) [x]

REF.	ONDERDEELNR. PART NUMBER REFERENCE TEILNUMMER	AANTAL QUANTITY QUANTITE ANZAHL	
1	0.9001.4124.0	1	W2500-SD25F-710 - 540/min. = REF. 11-61
4	85.227	1	SDH25F; L= 470 mm
5	85.204	1	SDH25; L= 420 mm
6	9.1154.0058.2	1	W2500-SD25F-710 = REF. 11-57
11	36.10.00	1	1.3/8" (6)
12	33.91.07	1	AGRASET 101
13	0.9001.1198.0	1	
21	36.00.00	2	M8x1
22	63.27.00	2	
23	36.13.100	1	RG2500-S4
24	61.05.12	2	Ø10x90 DIN 1481
25	75.44.98	1	S4GA; L= 560 mm
26	68.13.22	1	
27	63.10.01	1	AM5
28	75.45.114	1	S5; L= 545 mm
29	36.14.100	1	RG2500-S5
51	85.26.07	1	n= 7
52	60.15.00	2	4x10
53	82.85.03	2	
54	82.83.04	2	
56	82.36.03	2	
57	85.26.05	1	n= 5
61	0.9001.1610.0 0.9001.1249.1	1 -	LELYMATIC BA10-1.3/8" (21) (=10x Ø10-1) [x]