

LELY**CENTERLINER**type number
type number
numéro de type
Typnummervanaf serienummer
as from serial number
après numéro de série
ab Seriennummer

CB - SL

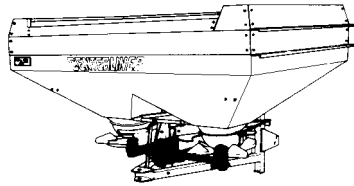
2.3225.0000.1

960 - 0501

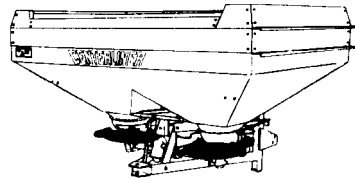
CB - SL

2.3225.0002.1

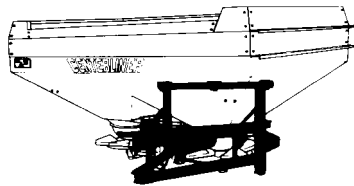
980 - 0501

CB2**Inhoud
Contents
Index
Inhalt****CENTERLINER CB - SL****pagina
page
page
Seite**Aandrijving
Transmission
Entraînement
Antrieb

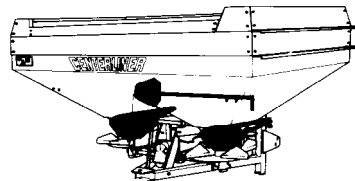
01

Werpschijven
Ejector discs
Disques éjecteurs
Wurfscheiben

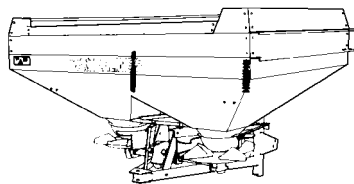
02

Freem
Frame
Châssis
Rahmen

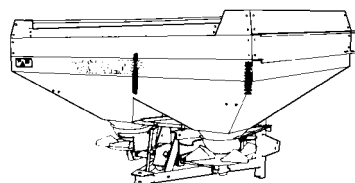
03

Dosering
Feed system
Ensemble de dosage
Dosiervorrichtung

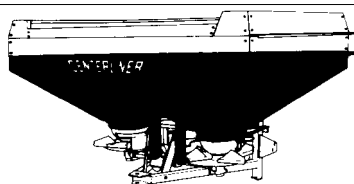
04

Bedieningskabel
Command cable
Câble de commande
Bedienungskabel

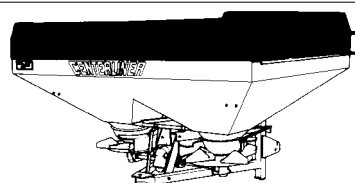
05

Hydraulische bediening
Hydraulic command
Commande hydraulique
Hydraulische Bedienung

05

Vorraadbak
Hopper
Trémie
Behälter

06

Opzetrand
Hopper extension
Rehausse de trémie
Behälteraufsatz

07

LELY**CENTERLINER**type number
type number
numéro de type
Typnummervanaf serienummer
as from serial number
après numéro de serie
ab Seriennummer

CB - SL

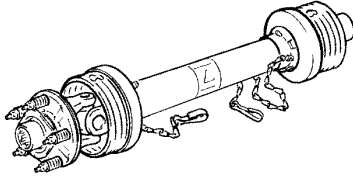
2.3225.0000.1

960 - 0501

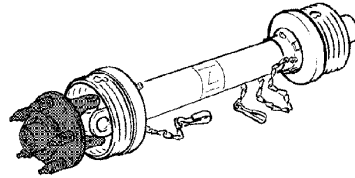
CB - SL

2.3225.0002.1

980 - 0501

CB2**Inhoud
Contents
Index
Inhalt****CENTERLINER CB - SL****pagina
page
page
Seite**Koppelingsas
PTO shaft
Arbre de transmission
Gelenkwelle

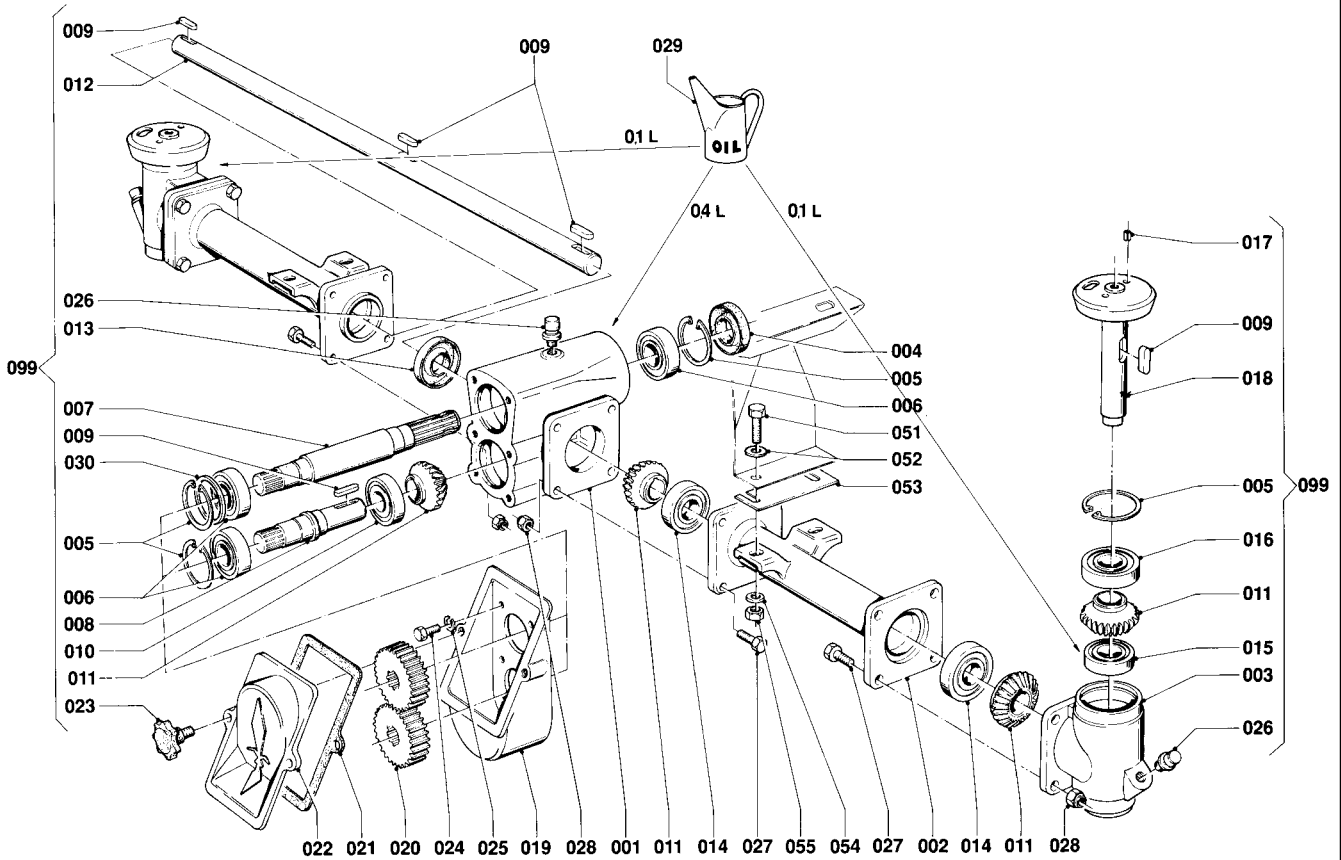
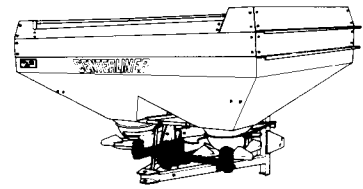
08

Slipkoppeling
Friction clutch
Limiteur à friction
Reibkupplung

09



CENTERLINER	type nummer type number numéro de type Typnummer	vanaf serienummer as from serial number après numéro de série ab Seriennummer
CB - SL	2.3225.0000.1	960 - 0501
CB - SL	2.3225.0002.1	980 - 0501



A001-05-00

REF.	ONDERDEELNR. PART NUMBER REFERENCE TEILNUMMER	AANTAL QUANTITY QUANTITE ANZAHL
------	--	--

001	2.3217.0017.0	1
002	2.3217.0018.0	2
003	2.3217.0025.0	2
004	9.1042.0065.2	1
005	9.1120.0005.4	5
006	9.1001.0062.5	3
007	2.3217.0021.0	1
008	2.3217.0022.0	1
009	9.1071.0009.1	6
010	9.1001.0063.6	1
011	2.3217.0024.0	6
012	2.3217.0023.0	1
013	9.1042.0054.5	1
014	9.1001.0061.4	3
015	9.1001.0071.0	2
016	9.1001.0075.4	2
017	9.1070.0050.1	4
018	2.3218.0019.0	2
019	2.3217.0019.0	1
020	2.3217.0027.1	1
	2.3217.0029.1	-
	2.3217.0031.1	-
	2.3217.0033.1	-
	2.3217.0035.1	-
	2.3217.0037.1	-

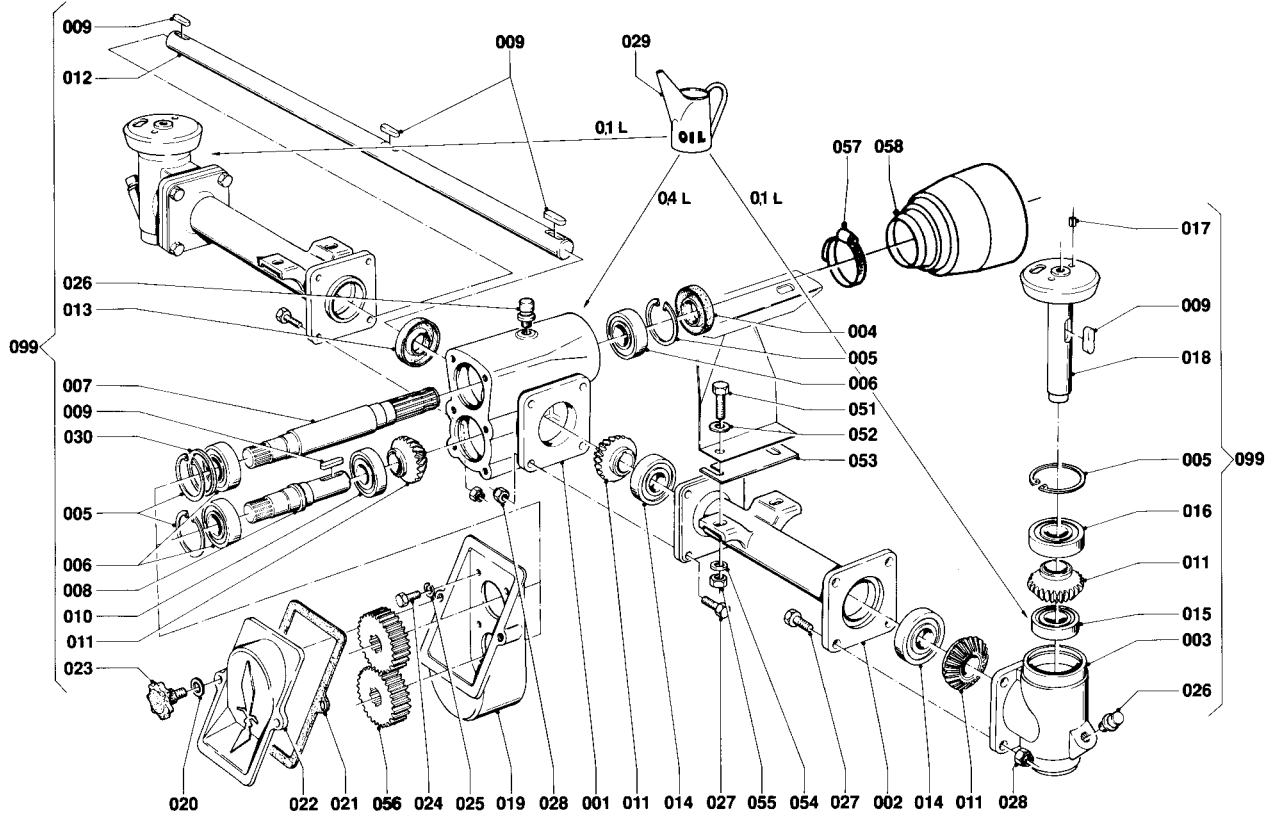
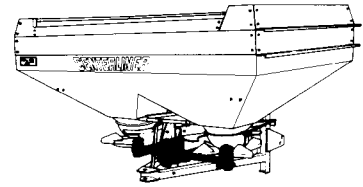
REF.	ONDERDEELNR. PART NUMBER REFERENCE TEILNUMMER	AANTAL QUANTITY QUANTITE ANZAHL
------	--	--

021	2.3217.0026.0	1
022	2.3217.0020.0	1
023	9.1141.0009.1	2
024	9.1113.0013.5	6
025	9.1121.0010.1	6
026	1.1606.0022.1	(3)
027	9.1113.0130.3	16
028	9.1030.0012*3	16
029	9.1171.0044.6	(0,6 L)
030	9.1093.0035.5	-
051	9.1113.0189*6	4
052	9.1048.0059*4	4
053	2.3217.1481.0	-
	2.3217.1482.0	-
	2.3217.1488.0	-
	2.3217.1483.0	-
054	9.1048.0062*0	4
055	9.1030.0022.6	4
099	2.3218.0010.0	1

= REF. 001-030



CENTERLINER	type nummer type number numéro de type Typnummer	vanaf serienummer as from serial number après numéro de serie ab Seriennummer
CB - SL	2.3225.0002.1	1008 - 0711



A001-06-01

REF.	ONDERDEELNR. PART NUMBER REFERENCE TEILNUMMER	AANTAL QUANTITY QUANTITE ANZAHL		
------	--	--	--	--

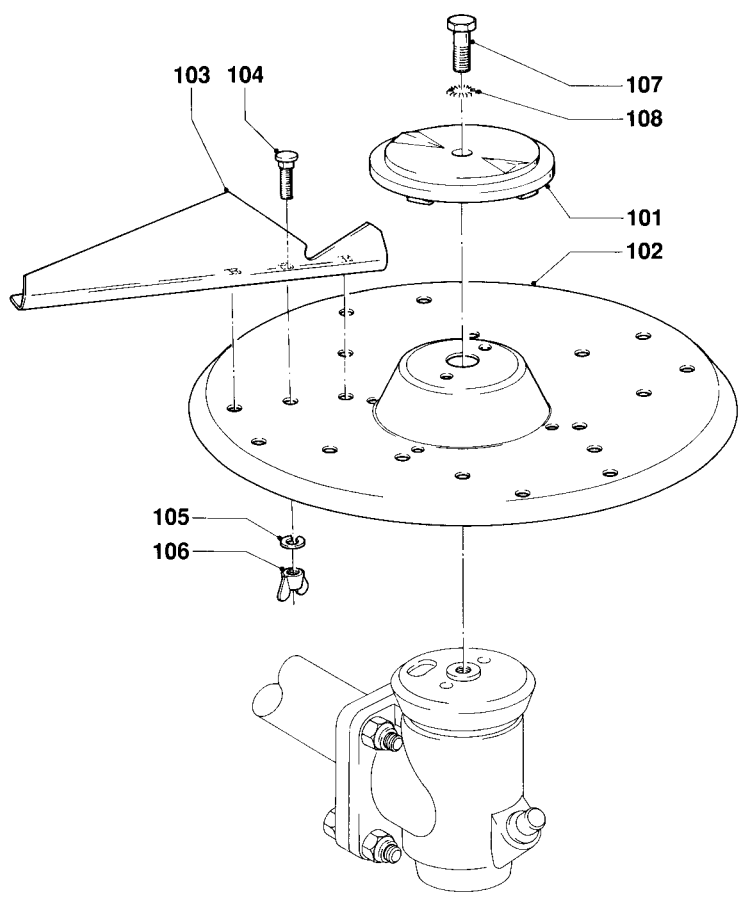
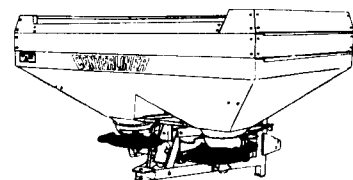
001	2.3217.0017.0	1		
002	2.3217.0018.0	2		
003	2.3217.0025.0	2		
004	9.1042.0065.2	1	30x62x10 CB	[> <]
005	9.1120.0005.4	5	62x2,00 DIN 472	
006	9.1001.0062.5	3	6206 C4	
007	2.3217.0021.0	1	1.1/8" (6)	
008	2.3217.0022.0	1		
009	9.1071.0009.1	6	A8x7x32 DIN 6885	
010	9.1001.0063.6	1	6305 C4	
011	2.3217.0024.0	6		
012	2.3217.0023.0	1		
013	9.1042.0054.5	1	25x62x10 CB	[> <]
014	9.1001.0061.4	3	6305 2RS1	
015	9.1001.0071.0	2	6304 C4	
016	9.1001.0075.4	2	6305 2RS1-C3-MT47B	
017	9.1070.0050.1	4	Ø8x20 DIN 1481	
018	2.3218.0019.0	2		
019	2.3217.0019.0	1		
020	9.1048.0051.3	2	A10,5 DIN 125	[—]
021	2.3217.0026.0	1		
022	2.3217.0020.0	1		
023	9.1141.0009.1	2	M10x35 DIN 6336	
024	9.1113.0013.5	6	M8x16 DIN 933-8.8	
025	9.1121.0010.1	6	A8 DIN 127	[—]

REF.	ONDERDEELNR. PART NUMBER REFERENCE TEILNUMMER	AANTAL QUANTITY QUANTITE ANZAHL		
------	--	--	--	--

026	1.1606.0022.1	(3)		
027	9.1113.0130.3	16	M8x30 DIN 933-8.8	
028	9.1030.0012*3	16	M8 DIN 985-8	
029	9.1171.0044.6	(0,6 L)	0,7L GP 80W90 ESSO	
030	9.1093.0035.5	-	50x62x0,3 DIN988 (max. 1x)	
051	9.1113.0189*6	4	M10x35 DIN 933-8.8	
052	9.1048.0059*4	4	A10,5 DIN 125	[—]
053	2.3217.1481.0	-	d= 0,5 mm	
	2.3217.1482.0	-	d= 1 mm	
	2.3217.1488.0	-	d= 2 mm	
	2.3217.1483.0	-	d= 4 mm	
054	9.1048.0062*0	4	A10 DIN 7349	[—]
055	9.1030.0022.6	4	M10 DIN 985-A2-2	
056	2.3217.0027.1	1	Z=12/23	[T+T]
	2.3217.0029.1	-	Z=13/22	[T+T]
	2.3217.0031.1	-	Z=14/21	[T+T]
	2.3217.0033.1	-	Z=15/20	[T+T]
	2.3217.0035.1	-	Z=16/19	[T+T]
	2.3217.0037.1	-	Z=17/18	[T+T]
057	9.1066.0016.6	1	Ø77-Ø95	
058	9.1161.0021.0	1		
099	2.3218.0010.0	1	= REF. 001-030	



CENTERLINER	type nummer type number numéro de type Typnummer	vanaf serienummer as from serial number après numéro de serie ab Seriennummer
CB - SL	2.3225.0000.1	960 - 0501



A036-01-00

REF.	ONDERDEELNR. PART NUMBER REFERENCE TEILNUMMER	AANTAL QUANTITY QUANTITE ANZAHL
------	--	--

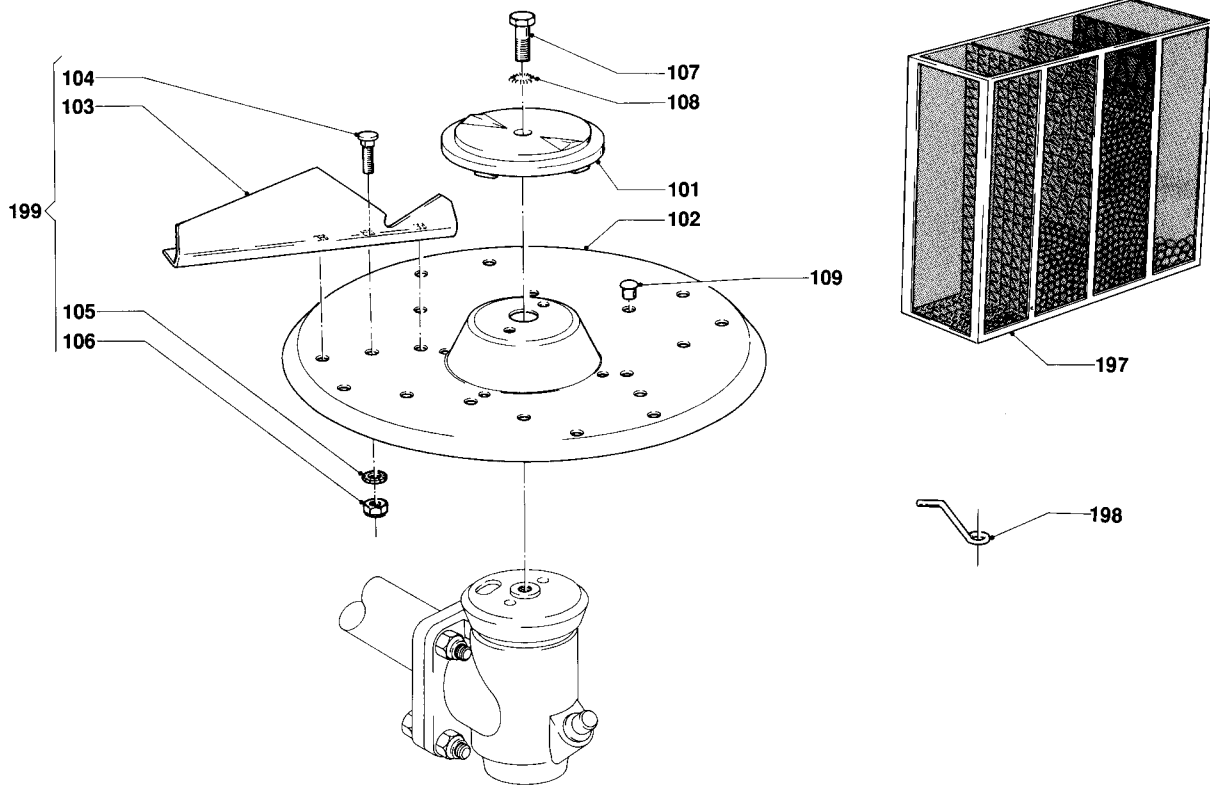
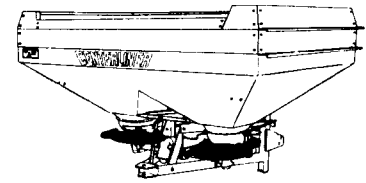
101	2.3218.1493.0	2
102	2.3225.1495.0	2
103	2.3225.1499.0	4
	2.3225.1498.0	4
104	9.1058.0036*6	8
105	9.1049.0014.0	8
106	9.1032.0005.1	8
107	9.1113.0202*5	2
108	9.1051.0009.0	2

[R]
[L][X]
M8x16 DIN 603-8.8
Nr.203-M8 Nylon [—/—]
M8 DIN 315
M12x40 DIN 931-8.8
A12,5 DIN 6798 [//////]

REF.	ONDERDEELNR. PART NUMBER REFERENCE TEILNUMMER	AANTAL QUANTITY QUANTITE ANZAHL
------	--	--



CENTERLINER	type nummer type number numéro de type Typnummer	vanaf serienummer as from serial number après numéro de serie ab Seriennummer
CB - SL	2.3225.0000.1	976 - 0588
CB - SL	2.3225.0002.1	980 - 0501



A036-02-01

REF.	ONDERDEELNR. PART NUMBER REFERENCE TEILNUMMER	AANTAL QUANTITY QUANTITE ANZAHL	
------	--	--	--

101	2.3218.1493.0	2	
102	2.3225.1495.0	2	
103A	2.3225.1499.0	4	[R]
	2.3225.1498.0	4	[L][x]
104	9.1058.0036*6	8	M8x16 DIN 603-8.8
105	9.1049.0014.0	8	Nr.203-M8 Nylon [—/—]
106	9.1030.0020.4	8	M8 DIN 985-A2-2
107	9.1113.0202*5	2	M12x40 DIN 931-8.8
108	9.1051.0009.0	2	A12,5 DIN 6798 [//////]
109	9.1108.0047.3	16	Ø11,7

197	9.1074.0501.5	1	DSM-Fraktiemeter DSM Grading kit Boîte de granulométrie DSM DSM-Bruchteilmessgerät
199	2.3225.0000.2	1	= REF. 103A-106 Roestvrijstalen schoep (103A) Stainless steel spoon (103A) Aube en acier inoxydable (103A) Leitschaufel aus rostfreiem Stahl (103A)

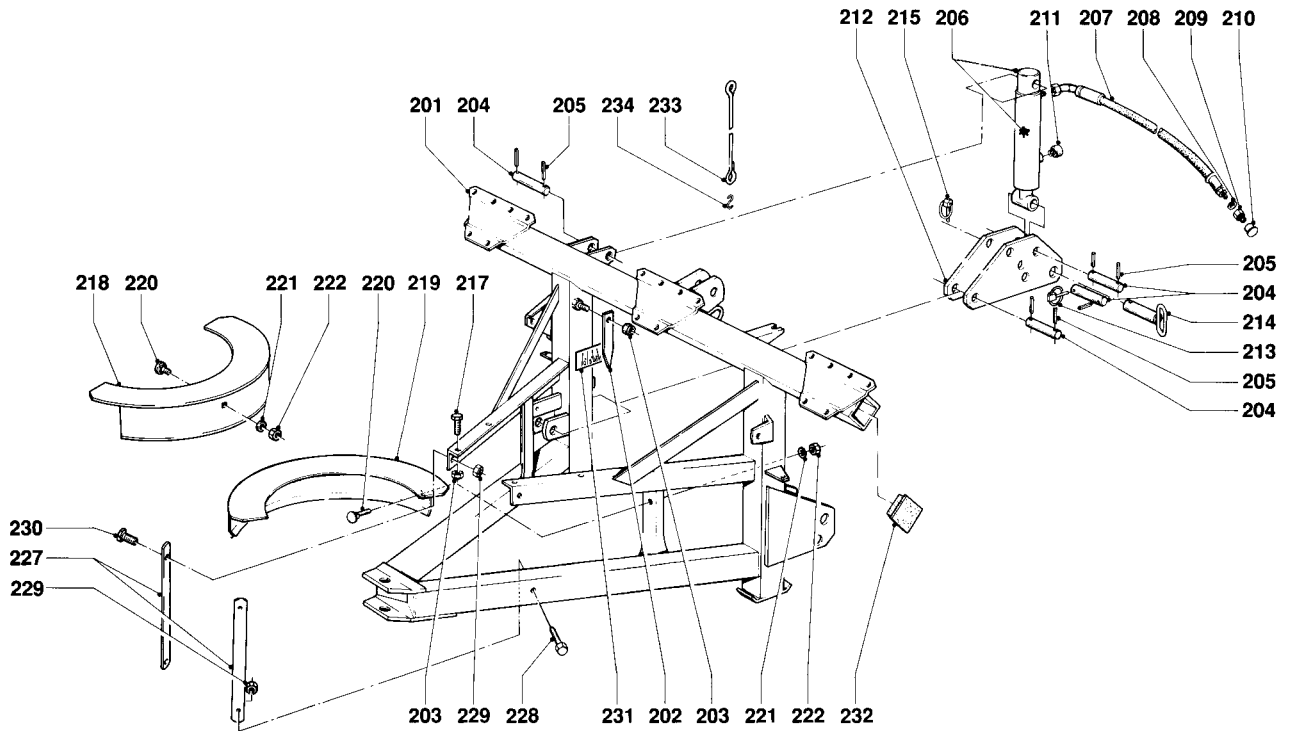
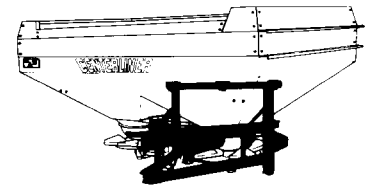
REF.	ONDERDEELNR. PART NUMBER REFERENCE TEILNUMMER	AANTAL QUANTITY QUANTITE ANZAHL	
------	--	--	--

101	2.3218.1493.0	2	
102	2.3225.1495.0	2	
103B	2.3225.1494.0	4	[R]
	2.3225.1493.0	4	[L][x]
104	9.1058.0036*6	8	M8x16 DIN 603-8.8
105	9.1049.0014.0	8	Nr.203-M8 Nylon [—/—]
106	9.1030.0020.4	8	M8 DIN 985-A2-2
107	9.1113.0202*5	2	M12x40 DIN 931-8.8
108	9.1051.0009.0	2	A12,5 DIN 6798 [//////]
109	9.1108.0047.3	16	Ø11,7

198	2.3218.2189.0	(2)	Draadagitator (graszaad) Wire agitator (grass seeds) Agitateur à fil (semences de graminées) Drahtrührwerk (Grassamen)
199	2.3225.0000.3	1	= REF. 103B-106 Schoep van gehard staal (103B) Hardened steel spoon (103B) Aube en acier durci (103B) Leitschaufel aus gehärtetem Stahl (103B)



CENTERLINER	type number type number numéro de type Typnummer	vanaf serienummer as from serial number après numéro de série ab Seriennummer
CB - SL	2.3225.0000.1	960 - 0501



A002-07-00

REF.	ONDERDEELNR. PART NUMBER REFERENCE TEILNUMMER	AANTAL QUANTITY QUANTITE ANZAHL
------	--	--

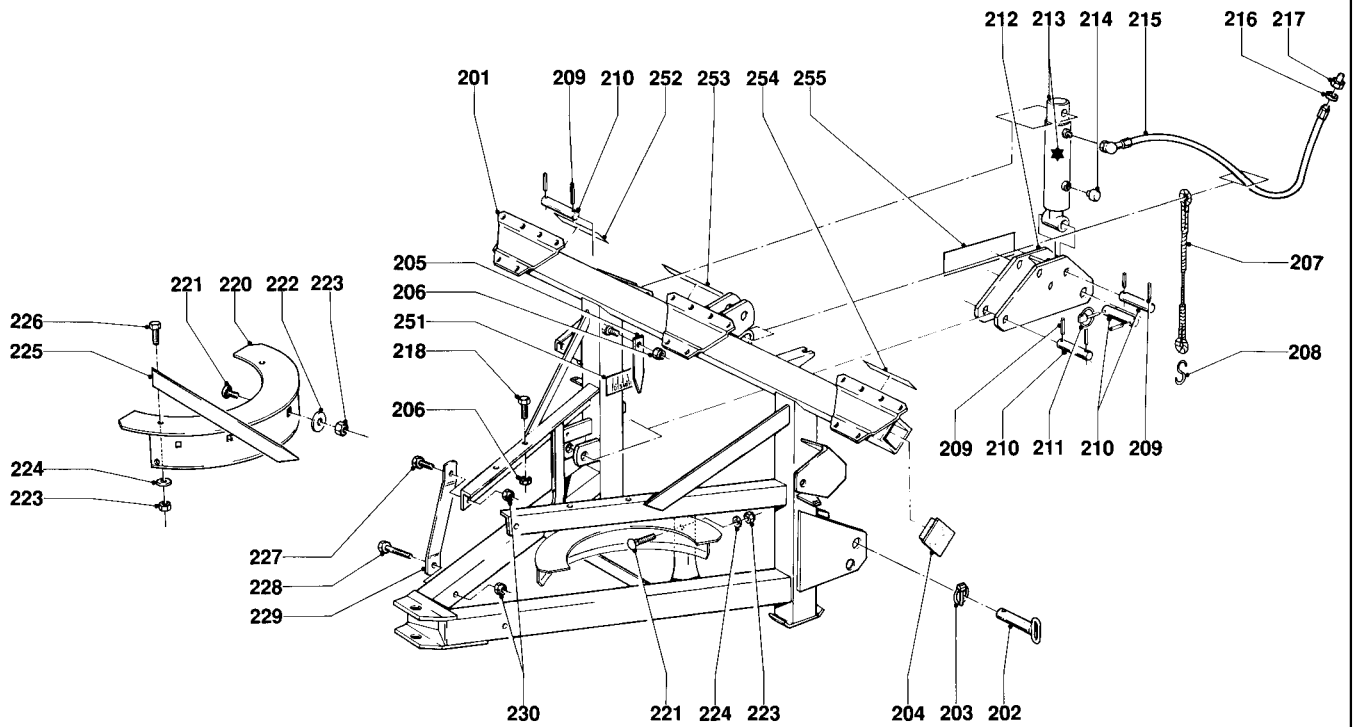
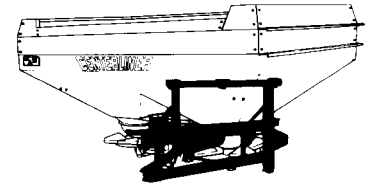
201	2.3225.0110.0	1
202	2.3217.1487.0	1
203	9.1030.0022.6	5 M10 DIN 985-A2-2
204	2.3219.1498.0	4
205	9.1070.0021.0	7 Ø8x40 DIN 1481
206	2.3219.0070.0	1 (206 = 206+*+211) KV slag / extension: 145 mm course / Hub: 145 mm
*	2.3219.0079.0	(1) (d=Ø30, D=Ø60/70) [A+A][x]
207	2.3201.2311.0	1 L= 1810 mm
208	9.1137.0401.5	- Ø14x20x1,5 Cu
209	9.1137.0603.4	- 1/2"-1/4"
	9.1137.0606.0	- 3/8"-1/4"
210	9.1108.0030.6	-
211	9.1150.0005.2	- 3/8" BSP SLW17
212	2.3219.0060.0	1
213	9.1123.0004*0	1 8x6,3
214	1.1804.0310.0	2
215	9.1123.0002*5	2 8x11
217	9.1113.0183*0	4 M10x25 DIN 933-8.8
218	2.3225.0200.0	1 [L]
219	2.3225.0200.0	1 [R]
220	9.1058.0037*0	4 M8x20 DIN 603-8.8
221	9.1048.0057*2	4 A8,4 DIN 125 []
222	9.1030.0020.4	4 M8 DIN 985-A2-2

REF.	ONDERDEELNR. PART NUMBER REFERENCE TEILNUMMER	AANTAL QUANTITY QUANTITE ANZAHL
------	--	--

227	2.3225.1496.0	1 [R]
	2.3225.1497.0	1 [L]
228	9.1113.0190*0	2 M12x70 DIN 931-8.8
229	9.1030.0023.0	4 M12 DIN 985-A2-2
230	9.1113.0191*1	2 M12x30 DIN 933-8.8
231	9.1170.0162.6	1 0°-15°
232	2.3219.1499.0	2
233	2.3222.1486.0	1 Ø4x300
234	9.1147.0006.6	1 Nr. 40



CENTERLINER	type number type number numéro de type Typnummer	vanaf serienummer as from serial number après numéro de série ab Seriennummer
CB - SL	2.3225.0002.1	980 - 0501



A041-01-01

REF.	ONDERDEELNR. PART NUMBER REFERENCE TEILNUMMER	AANTAL QUANTITY QUANTITE ANZAHL
------	--	--

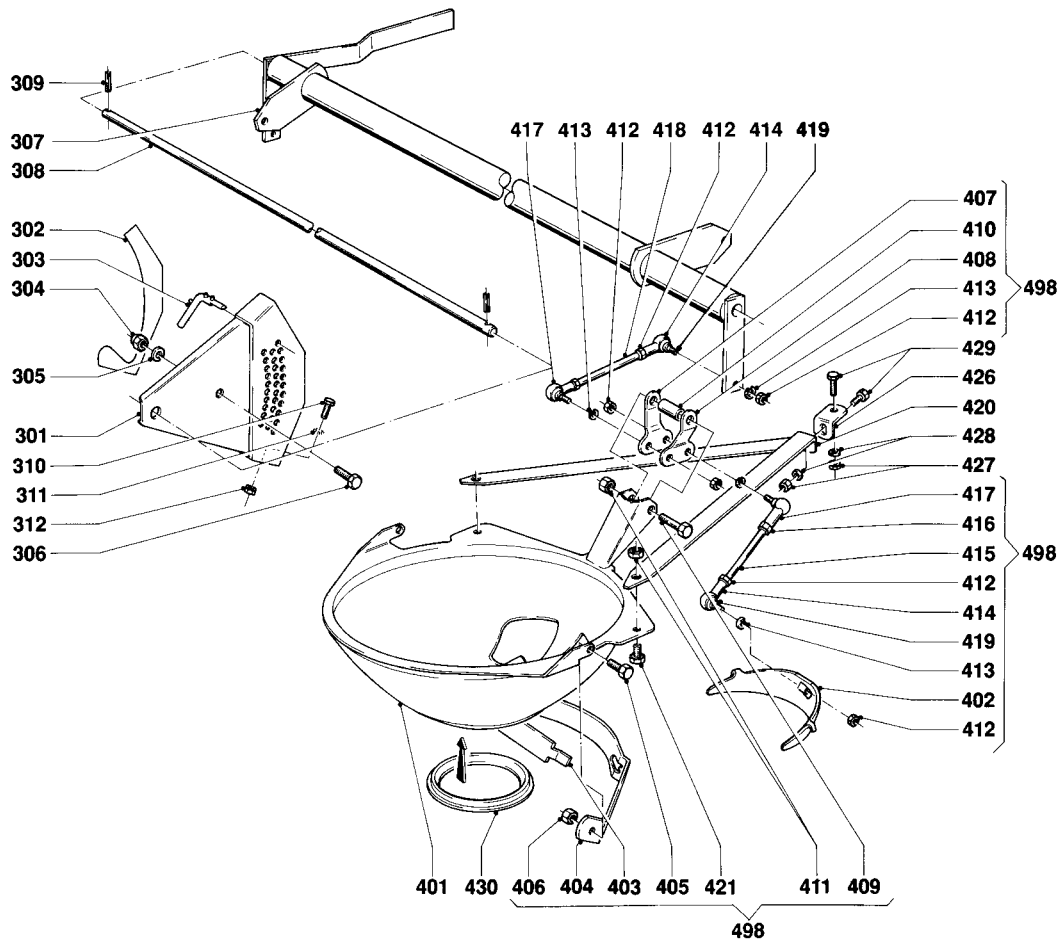
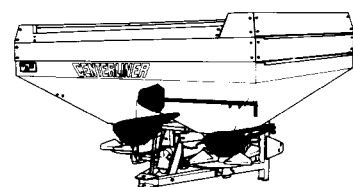
201	2.3225.0111.0	1	
202	1.1804.0310.0	2	
203	9.1123.0002*5	2	Ø8x11
204	2.3219.1499.0	2	
205	2.3217.1487.0	1	
206	9.1030.0022.6	5	M10 DIN 985-A2-2
207	2.3222.1486.0	1	Ø4x300
208	9.1147.0006.6	1	Nr. 50
209	9.1070.0021.0	7	Ø8x40 DIN 1481
210	2.3219.1498.0	3	L= 142 mm
	2.3225.1492.0	1	L= 122 mm
211	9.1123.0004*0	1	8x6,3
212	2.3225.0430.0	1	
213	2.3225.0420.0	1	(213 = 213+*+214) slag / extension: 80 mm course / Hub: 80 mm
*	2.3225.0429.0	(1)	(d=Ø30, D=Ø60/70) [A+A][x]
214	9.1150.0005.2	(1)	3/8" BSP SLW 17
215	2.3201.2311.0	1	L= 1810 mm
216	9.1137.0401.5	-	Ø14x20x1,5 Cu []
217	9.1137.0603.4	-	1/2"-1/4"
	9.1137.0606.0	-	3/8"-1/4"
218	9.1113.0183*0	4	M10x25 DIN 933-8.8

REF.	ONDERDEELNR. PART NUMBER REFERENCE TEILNUMMER	AANTAL QUANTITY QUANTITE ANZAHL
------	--	--

220	2.3225.0201.0	2	
221	9.1058.0037*0	4	M8x20 DIN 603-8.8
222	9.1048.0058*3	2	A8,4 DIN 9021 []
223	9.1030.0020.4	6	M8 DIN 985-A2-2
224	9.1048.0057*2	4	A8,4 DIN 125 []
225	2.3225.0160.0	1	
226	9.1113.0182*6	2	M8x25 DIN 933-8.8
227	9.1113.0191*1	2	M12x30 DIN 933-8.8
228	9.1113.0190*0	2	M12x70 DIN 931-8.8
229	2.3225.1496.0	1	[R][x]
	2.3225.1497.0	1	[L]
230	9.1030.0023.0	4	M12 DIN 985-A2-2
251	9.1170.0162.6	1	0°-15°
252	9.1170.0052.1	1	"LET OP DRAAIENDE DELEN"
253	9.1170.0091.5	1	"ATTENTIE PTO INSCH. STAT."
254	9.1170.0069.4	1	"WERK VEILIG....ZIE INSTR."
255	9.1170.0277.2	1	"STANDEN HEFBOOM A-B-C-D"



CENTERLINER	type number type number numéro de type Typnummer	vanaf serienummer as from serial number après numéro de série ab Seriennummer
CB - SL	2.3225.0000.1	960 - 0501



A003-06-01

REF.	ONDERDEELNR. PART NUMBER REFERENCE TEILNUMMER	AANTAL QUANTITY QUANTITE ANZAHL	
------	--	--	--

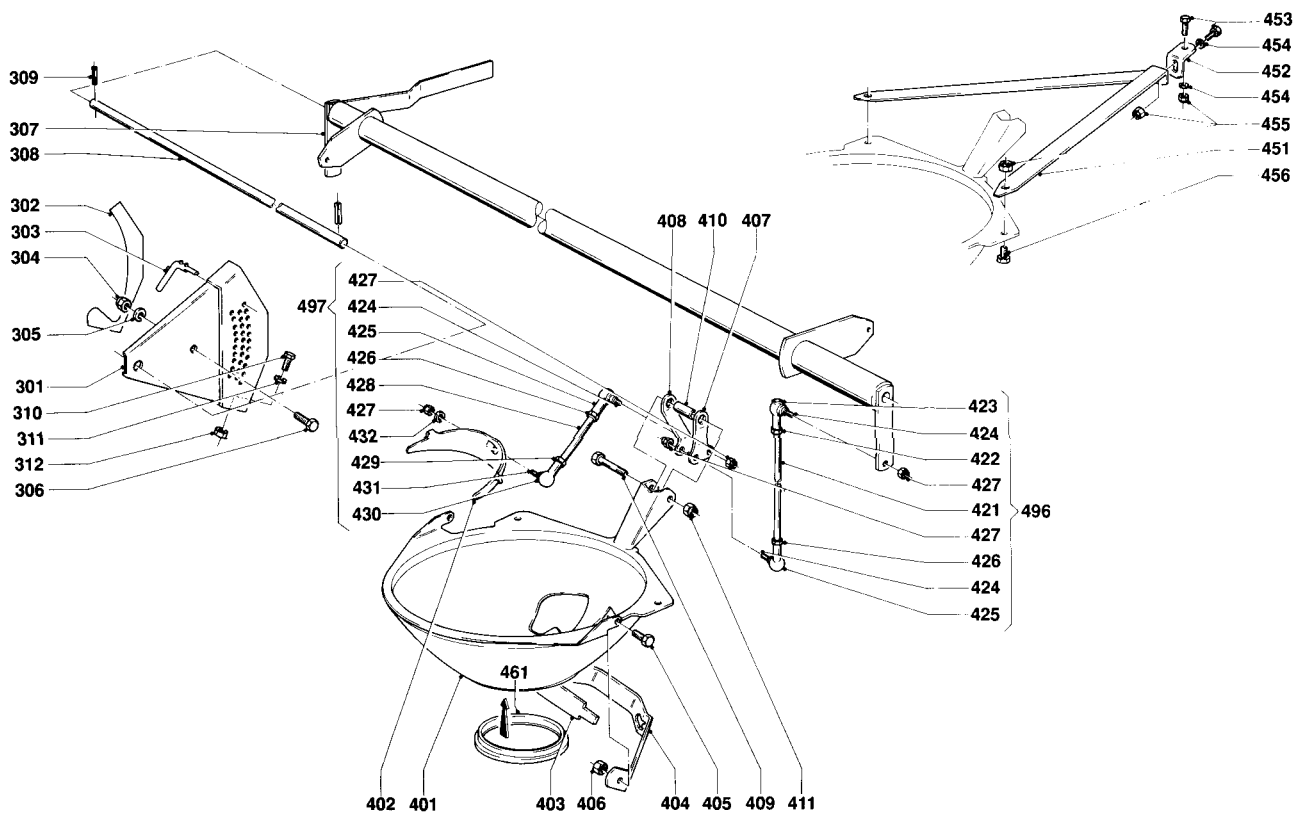
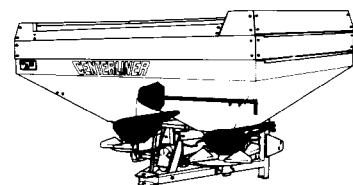
301	2.3217.0120.0	1	
302	9.1170.0132.4	1	"A-B-C"
303	2.3217.0250.0	1	
304	9.1030.0022.6	1	M10 DIN 985-A2-2
305	9.1048.0059*4	1	A10.5 DIN 125 []
306	9.1113.0183*0	1	M10x25 DIN 933-8.8
307	2.3218.0172.0	1	
308	2.3218.1499.0	1	
309	9.1070.0007.0	2	4x20 DIN 1481
310	9.1113.0195*5	1	M6x16 DIN 933-8.8
311	9.1049.0019.5	1	Nr. 201-M6 []
312	9.1029.0026.4	1	M6 A2-2 DIN 934
401	2.3218.0110.0	1+1	
402	2.3218.0144.0	1+1	
403	2.3218.0147.0	1+1	
404	2.3218.0145.0	1+1	
405	9.1113.0182*6	2+2	M8x25 DIN 933-8.8
406	9.1029.0029.0	2+2	M8 DIN 934-A2-2
407	2.3218.0149.0	1+1	
408	2.3218.0148.0	1+1	
409	9.1113.0256.3	1+1	M8x70 DIN 931-A2-2
410	2.3218.0146.0	1+1	

REF.	ONDERDEELNR. PART NUMBER REFERENCE TEILNUMMER	AANTAL QUANTITY QUANTITE ANZAHL	
------	--	--	--

411	9.1030.0020.4	3+3	M8 DIN 985-A2-2
412	9.1029.0026.4	6+6	M6 DIN 934-A2-2
413	9.1121.0019.3	6+6	A6 DIN 127 []
414	9.1038.0009.6	2+2	M6-R
415	2.3218.0142.0	1+1	
416	9.1036.0014.6	2+2	M6 DIN 934-L
417	9.1038.0010.0	2+2	M6-L
418	2.3218.0143.0	1+1	
419	9.1038.0003.0	4+4	M6 Type A DIN 71802
420	2.3224.0110.0	1	[R]
	2.3224.0130.0	1	[L][x]
421	9.1113.0186*3	2+2	M8x20 DIN 933-8.8
426	2.3218.1492.0	2	
427	9.1030.0020.4	4	M8 DIN 985-A2-2
428	9.1048.0057*2	4	A8,4 DIN 125 []
429	9.1113.0182*6	4	M8x25 DIN 933-8.8
430	2.3218.0118.0	-	
498	2.3224.0100.0	1	= REF. 401-421 [R]
499	2.3224.0120.0	1	= REF. 401-421 [L][x]



CENTERLINER	type nummer type number numéro de type Typnummer	vanaf serienummer as from serial number après numéro de serie ab Seriennummer
CB - SL	2.3225.0002.1	980 - 0501



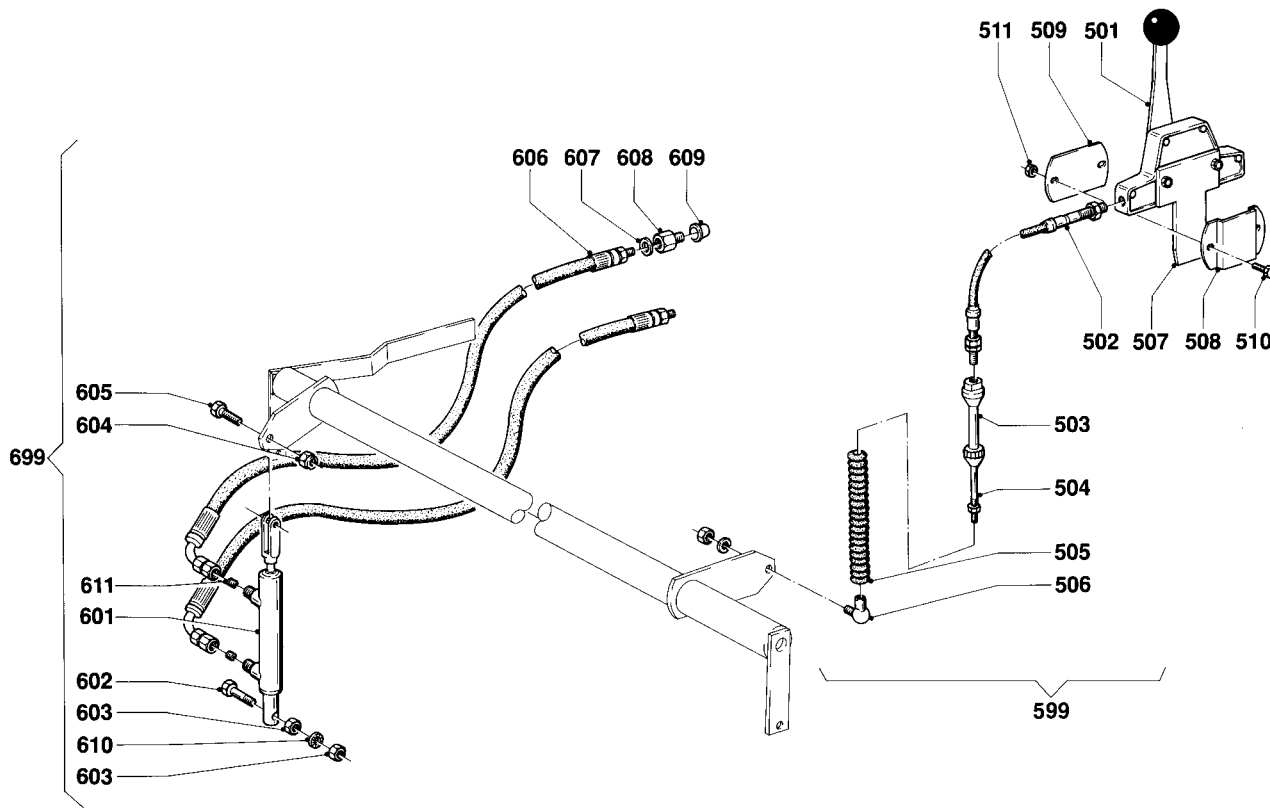
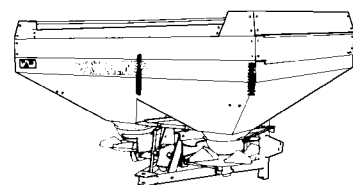
A042-02-01

REF.	ONDERDEELNR. PART NUMBER REFERENCE TEILNUMMER	AANTAL QUANTITY QUANTITE ANZAHL	
301	2.3217.0120.0	1	
302	9.1170.0132.4	1	"A-B-C"
303	2.3217.0250.0	1	Cpl.
304	9.1030.0022.6	1	M10 DIN 985-A2-2
305	9.1048.0059*4	1	A10,5 DIN 125 []
306	9.1113.0183*0	1	M10x25 DIN 933-8.8
307	2.3218.0172.0	1	
308	2.3218.1499.0	1	
309	9.1070.0007.0	2	Ø4x20 DIN 1481
310	9.1113.0195*5	1	M6x16 DIN 933-8.8
311	9.1049.0019.5	1	M6 Nylon [/]
312	9.1029.0026.4	1	M6 A2-2 DIN 934
401	2.3218.0110.0	1+1	[R]+[L]
402	2.3218.0144.0	1+1	
403	2.3218.0147.0	1+1	
404	2.3218.0145.0	1+1	
405	9.1113.0182*6	2+2	M8x25 DIN 933-8.8
406	9.1029.0029.0	2+2	M8 DIN 934-A2-2
407	2.3218.0148.0	1+1	[R]+[L]
408	2.3218.0149.0	1+1	
409	9.1113.0266.6	1+1	M8x65 DIN 931-A2-2
410	2.3218.0146.0	1+1	
411	9.1030.0020.4	1+1	M8 DIN 985-A2-2
421	2.3225.0443.0	1+1	M8/M8
422	9.1029.0029.0	1+1	M8 DIN 934-A2-2
423	9.1038.0013.3	1+1	M8-R

REF.	ONDERDEELNR. PART NUMBER REFERENCE TEILNUMMER	AANTAL QUANTITY QUANTITE ANZAHL	
424	2.3225.0453.0 (2.3225.0441.0)	(2+1) 2x -	M6-Ø13 M8-Ø13)
425	9.1038.0014.4	(1+1) 2x	M8-L
426	9.1036.0027.5	(1+1) 2x	M8-L DIN 934
427	9.1030.0021.5	(2+2) 2x	M6 A2-2 DIN 985
428	2.3225.0444.0	1+1	M8/M6
429	9.1029.0026.4	1+1	M6 DIN 934-A2-2
430	9.1038.0009.6	1+1	M6-R
431	2.3225.0454.0	1+1	M6-Ø10
432	9.1121.0019.3	1+1	A6 DIN 127 [/]
451	2.3224.0111.0 2.3224.0131.0	1 1	[R] [L][x]
452	2.3218.1492.0	2	
453	9.1113.0182*6	4	M8x25 DIN 933-8.8
454	9.1048.0057*2	4	A8,4 DIN 125 []
455	9.1030.0020.4	8	M8 DIN 985-A2-2
456	9.1113.0186*3	4	M8x20 DIN 933-8.8
461	2.3218.0118.0	-	
496	2.3225.0443.1	2	= REF. 421-427 (2x M8)
497	2.3225.0444.1	2	= REF. 424-432 (L= 130 mm)
498	2.3225.0440.0	1	= REF. 401-432 [R]
499	2.3225.0470.0	1	= REF. 401-432 [L][x]



CENTERLINER	type number type number numéro de type Typnummer	vanaf serienummer as from serial number après numéro de serie ab Seriennummer
CB - SL	2.3225.0000.1	960 - 0501
CB - SL	2.3225.0002.1	980 - 0501



A037-01-00

REF.	ONDERDEELNR. PART NUMBER REFERENCE TEILNUMMER	AANTAL QUANTITY QUANTITE ANZAHL
------	--	--

601	2.3218.2170.0	1
602	9.1113.0216*5	1
603	9.1029.0029.0	2
604	9.1030.0020.4	1
605	9.1113.0198*1	1
606	2.2301.2311.0	2
607	9.1137.0401.5	-
608	9.1137.0606.0	-
608	9.1137.0603.4	-
609	9.1108.0030.6	-
610	9.1051.0007.5	1
611	2.3201.2400.0	2
699	2.3218.2102.0	1

REF.	ONDERDEELNR. PART NUMBER REFERENCE TEILNUMMER	AANTAL QUANTITY QUANTITE ANZAHL
------	--	--

501	9.1180.0806.3	1
502	9.1180.0804.1	1
	9.1180.0811.1**	-
503	9.1180.0803.0	1
504	9.1180.0805.2	1
	9.1180.0812.2**	-
505	9.1180.0802.6	1
506	9.1180.0801.5	1
507	9.1180.0807.4	1
508	2.3217.1497.0	1
509	2.3217.1498.0	1
510	9.1113.0127*0	2
511	9.1030.0011*2	2
599	9.1180.0800.4	1
599	9.1180.0810.0**	-
-	2.3217.0270.0	-

= REF. 601-611

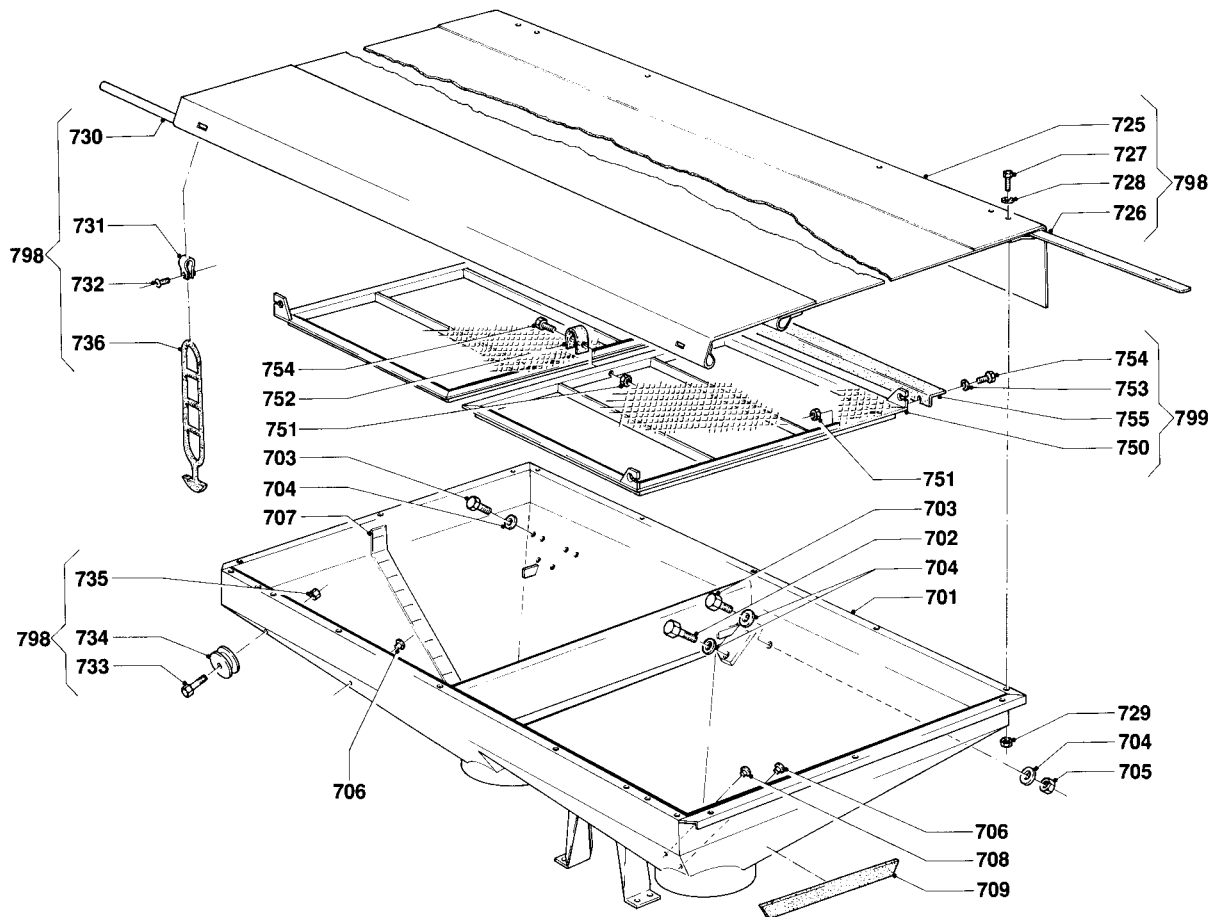
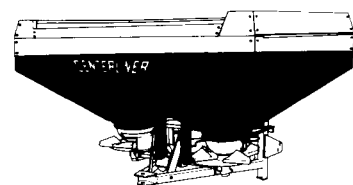
= REF. 501-507 L= 2800 mm

= REF. 501-507 L= 3800 mm

= REF. 501-511



CENTERLINER	type nummer type number numéro de type Typnummer	vanaf serienummer as from serial number après numéro de serie ab Seriennummer
CB - SL	2.3225.0000.1	960 - 0501



A004-06-00

REF.	ONDERDEELNR. PART NUMBER REFERENCE TEILNUMMER	AANTAL QUANTITY QUANTITE ANZAHL
------	--	--

701	2.3225.0140.0	1
702	9.1113.0189*6	4
703	9.1113.0183*0	14
704	9.1048.0059*4	36
705	9.1030.0022.6	18
706	9.1105.0006.6	2
707	9.1170.0193.2	1
708	9.1105.0007.0	2
709	2.3224.1497.0	8
725	2.3219.2019.0	1
726	2.3219.2018.0	2
727	9.1113.0182*6	4
728	9.1048.0058.3	4
729	9.1030.0020.4	4
730	2.3219.2017.0	1
731	4.1022.1485.0	2
732	9.1059.0008.5	2
733	9.1113.0184*1	2
734	9.1141.0015.0	2
735	9.1030.0021.5	2
736	9.1054.0006.1	2
	9.1054.0007.2	2

REF.	ONDERDEELNR. PART NUMBER REFERENCE TEILNUMMER	AANTAL QUANTITY QUANTITE ANZAHL
------	--	--

750	2.3218.0241.0	1+1
751	9.1029.0027.5	15+15
752	2.3218.0269.0	1+1
753	9.1048.0049.1	15+15
754	9.1113.0166.4	15+15
755	2.3218.0119.0	2+2
798	2.3219.2011.0	1
799	2.3218.0231.0	2

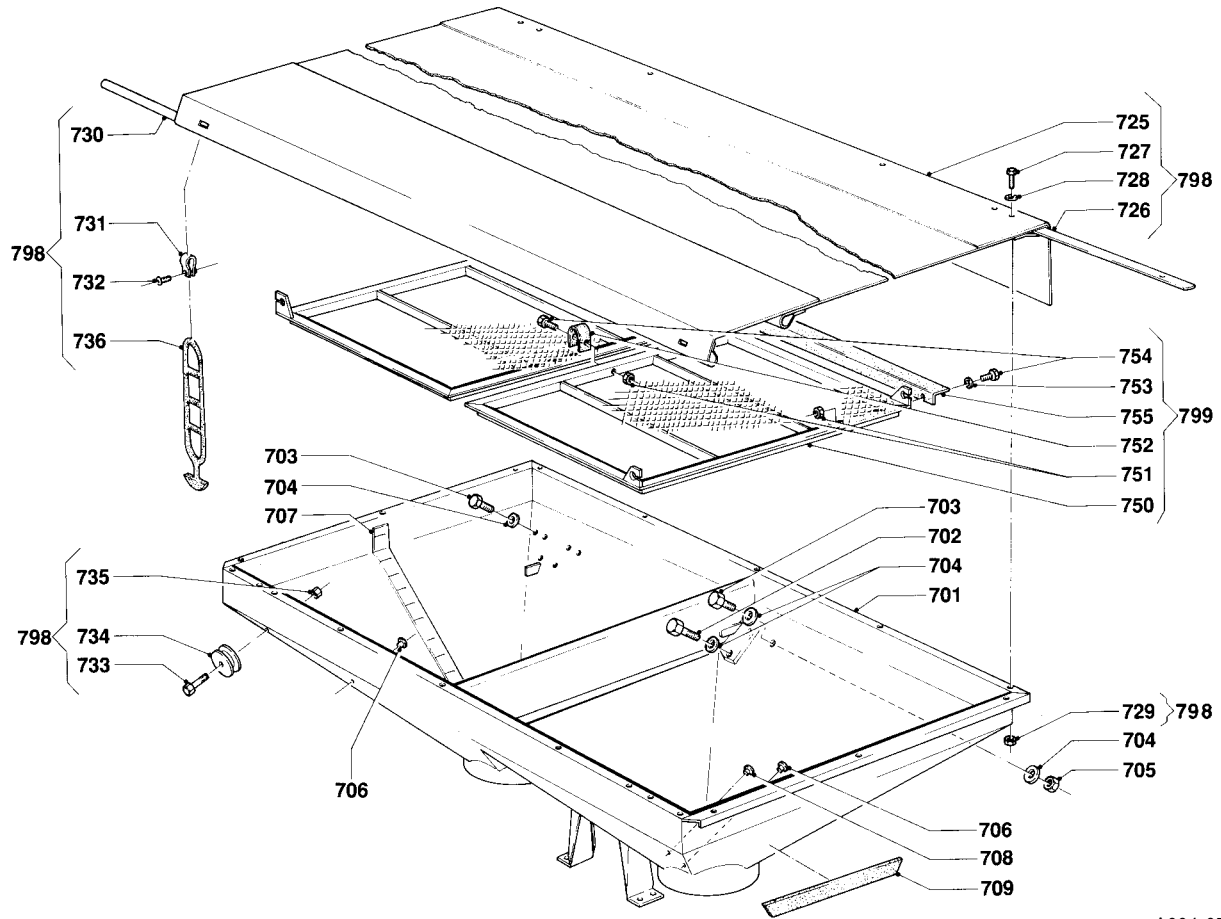
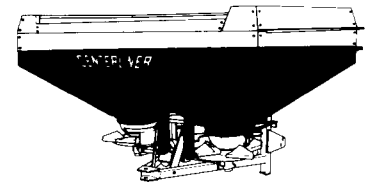
M6 DIN 934-6.6 Nylon
A6,4 DIN 9021-6.6 Nyl. []
M6x16 DIN 933-6.6 Nylon

= REF. 725-736

= REF. 750-755



CENTERLINER	type nummer type number numéro de type Typnummer	vanaf serienummer as from serial number après numéro de serie ab Seriennummer
CB - SL	2.3225.0000.1	976 - 0588
CB - SL	2.3225.0002.1	980 - 0501



A004-07-00

REF.	ONDERDEELNR. PART NUMBER REFERENCE TEILNUMMER	AANTAL QUANTITY QUANTITE ANZAHL	
------	--	--	--

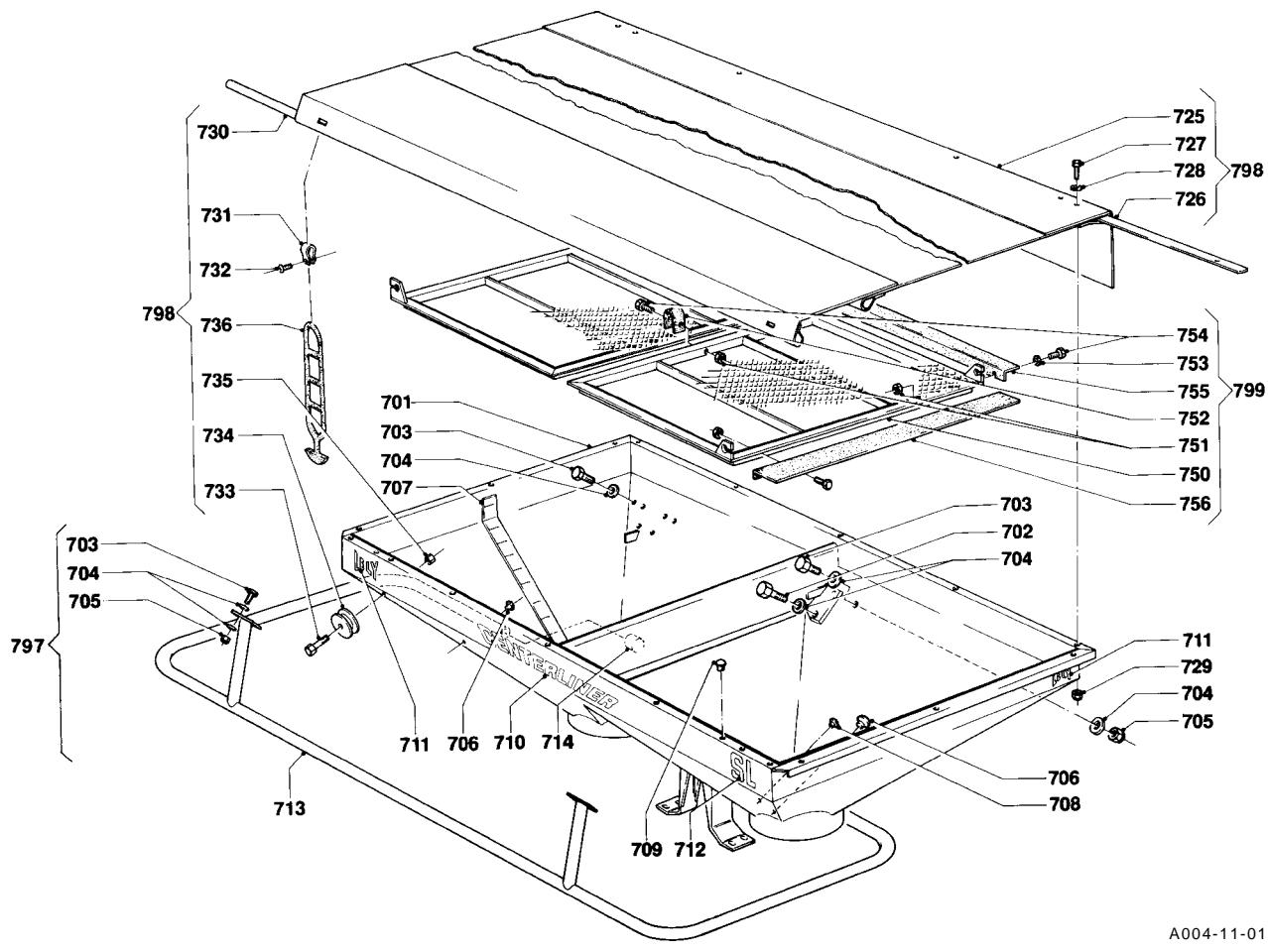
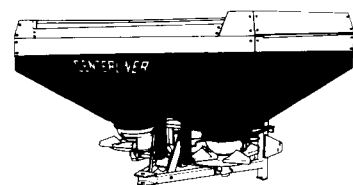
701	2.3225.0140.0	1	
702	9.1113.0189*6	4	M10x35 DIN 933-8.8
703	9.1113.0183*0	14	M10x25 DIN 933-8.8
704	9.1048.0059*4	36	A10,5 DIN 125 []
705	9.1030.0022.6	18	M10 DIN 985-A2-2
706	9.1105.0006.6	2	Ø12
707	9.1170.0193.2	2	"CB 1600 / 800 L"
708	9.1105.0007.0	2	Ø7
709	9.1108.0063.5	20	Ø9,3
710	9.1170.0199.1	1	"CENTERLINER"
	9.1170.0263.2	2	"SUPERLARGE"
711	9.1170.0200.2	1	"LELY"
712	9.1170.0001.6	2	"LELY"
725	2.3219.2019.0	1	
726	2.3219.2018.0	2	
727	9.1113.0182*6	4	M8x25 DIN 933-8.8
728	9.1048.0005*6	4	A8,4 DIN 9021 []
729	9.1030.0020.4	4	M8 DIN 985-A2-2
730	2.3219.2017.0	1	
731	4.1022.1485.0	2	
732	9.1059.0008.5	2	KB 4,0x18 (+) A2
733	9.1113.0184*1	2	M6x20 DIN 933
734	9.1141.0015.0	2	
735	9.1030.0021.5	2	M6 DIN 985-A2-2
736	9.1054.0006.1	2	Nr. 11, 28 cm
	9.1054.0007.2	2	Nr. 12, 38 cm

REF.	ONDERDEELNR. PART NUMBER REFERENCE TEILNUMMER	AANTAL QUANTITY QUANTITE ANZAHL	
------	--	--	--

750	2.3218.0241.0	1+1	
751	9.1029.0027.5	21+21	M6 DIN 934-6.6 Nylon
752	2.3218.0269.0	1+1	
753	9.1048.0049.1	21+21	A6,4 DIN 9021-6.6 Nyl. []
754	9.1113.0166.4	21+21	M6x16 DIN 933-6.6 Nylon
755	2.3220.0119.0	2+2	
756	2.3220.0118.0	1+1	
798	2.3219.2011.0	1	= REF. 725-736
799	2.3218.0231.0	2	= REF. 750-756



CENTERLINER	type nummer type number numéro de type Typnummer	vanaf serienummer as from serial number après numéro de série ab Seriennummer
CB - SL	2.3225.0002.1	1008 - 0711



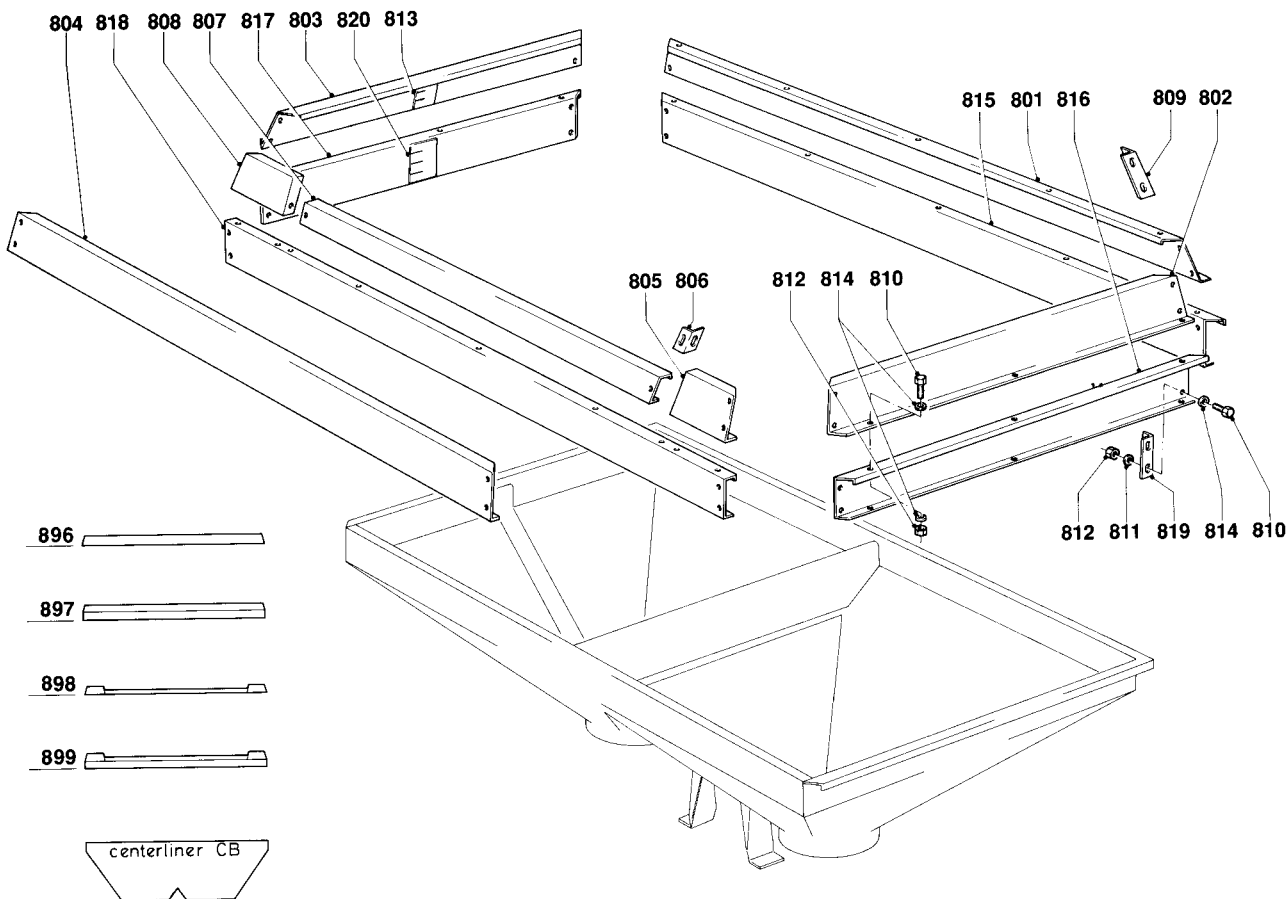
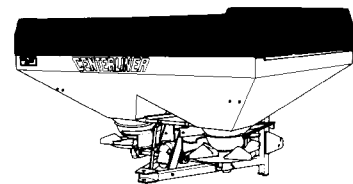
A004-11-01

REF.	ONDERDEELNR. PART NUMBER REFERENCE TEILNUMMER	AANTAL QUANTITY QUANTITE ANZAHL	
701	2.3225.0140.0	1	
702	9.1113.0189*6	8	M10x35 DIN 933-8.8
703	9.1113.0183*0	14	M10x25 DIN 933-8.8
704	9.1048.0059*4	44	A10,5 DIN 125 []
705	9.1030.0022.6	22	M10 DIN 985-A2-2
706	9.1105.0006.6	4	Ø12
707	9.1170.0193.2	2	"CB 1600 / 800 L"
708	9.1105.0007.0	2	Ø7
709	9.1108.0063.5	20	Ø9,3
710	9.1170.0199.1	1	"CENTERLINER"
711	9.1170.0200.2	3	"LELY"
712	9.1170.0334.3	1	"SL"
713	2.3225.0750.0	1	
714	9.1108.0059.1	2	Ø34
725	2.3219.2019.0	1	
726	2.3219.2018.0	2	
727	9.1113.0182*6	4	M8x25 DIN 933-8.8
728	9.1048.0005*6	4	A8,4 DIN 9021 []
729	9.1030.0020.4	4	M8 DIN 985-A2-2
730	2.3219.2017.0	1	
731	4.1022.1485.0	2	
732	9.1059.0008.5	2	KB 4,0x18 (+) A2
733	9.1113.0184*1	2	M6x20 DIN 933
734	9.1141.0015.0	2	
735	9.1030.0021.5	2	M6 DIN 985-A2-2
736	9.1054.0006.1	2	Nr. 11, 28 cm
	9.1054.0007.2	2	Nr. 12, 38 cm

REF.	ONDERDEELNR. PART NUMBER REFERENCE TEILNUMMER	AANTAL QUANTITY QUANTITE ANZAHL	
750	2.3218.0241.0	1+1	
751	9.1029.0027.5	21+22	M6 DIN 934-6.6 Nylon
752	2.3218.0269.0	1+1	
753	9.1048.0049.1	21+22	A6,4 DIN 9021-6.6 Nyl. []
754	9.1113.0166.4	21+22	M6x16 DIN 933-6.6 Nylon
755	2.3220.0119.0	2+2	
756	2.3220.0118.0	1+1	
797	2.3225.0740.0	1	= REF. 713-714 +(703/4/5)
798	2.3219.2011.0	1	= REF. 725-736
799	2.3218.0231.0	2	= REF. 750-756



CENTERLINER	type number type number numéro de type Typnummer	vanaf serienummer as from serial number après numéro de serie ab Seriennummer
CB - SL	2.3225.0000.1	960 - 0501
CB - SL	2.3225.0002.1	980 - 0501



A34-05-10

REF.	ONDERDEELNR. PART NUMBER REFERENCE TEILNUMMER	AANTAL QUANTITY QUANTITE ANZAHL
------	--	--

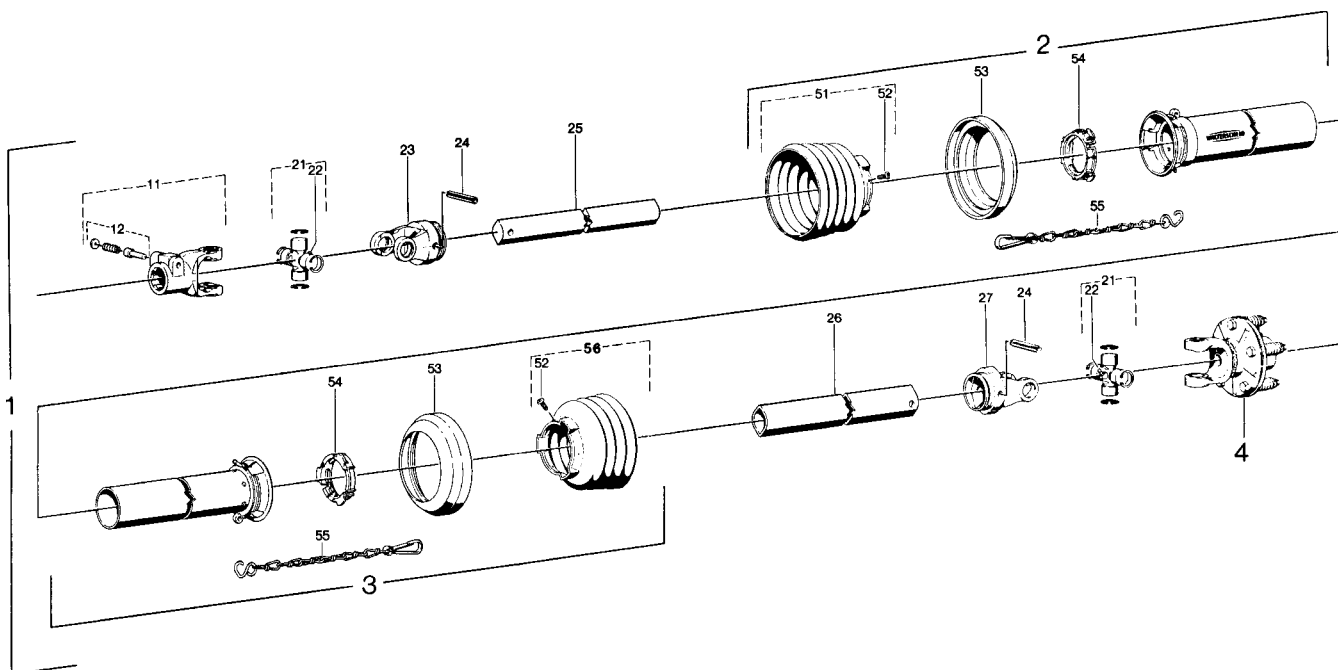
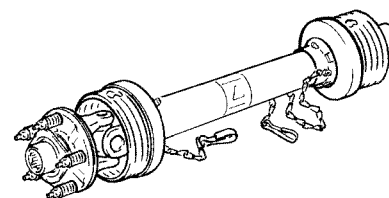
REF.	ONDERDEELNR. PART NUMBER REFERENCE TEILNUMMER	AANTAL QUANTITY QUANTITE ANZAHL	
	896 897 898 899		
801	2.3219.2036.0	1 1 1 1	
802	2.3219.2039.0	1 1 1 1	[R]
803	2.3219.2038.0	1 1 1 1	[L]
804	2.3219.2037.0	1 1 - -	
805	2.3219.2079.0	- - 1 1	
806	2.3219.2075.0	- - 1 1	[R]
	2.3219.2076.0	- - 1 1	[L][x]
807	2.3219.2077.0	- - 1 1	
808	2.3219.2078.0	- - 1 1	
809	2.3219.2035.0	4 4 4 4	
810	9.1113.0186*3	32 64 40 72	M8x20 DIN 933-8.8
811	9.1048.0058*3	16 32 20 36	A8,4 DIN 9021
	[]		
812	9.1030.0020.4	32 64 40 72	M8 DIN 985-A2-2
813	9.1170.0196.5	2 2 2 2	"CB 2400"
814	9.1048.0072.3	48 96 60 108	A8,4 DIN 125 6.6 Nylon
815	2.3219.2056.0	- 1 - 1	
816	2.3219.2059.0	- 1 - 1	[R]
817	2.3219.2058.0	- 1 - 1	[L]
818	2.3219.2057.0	- 1 - 1	
819	2.3219.2055.0	- 4 - 4	
820	9.1170.0197.6	- 2 - 2	"CB 3000"

REF.	ONDERDEELNR. PART NUMBER REFERENCE TEILNUMMER	AANTAL QUANTITY QUANTITE ANZAHL
------	--	--

896	2.3219.2020.0	1 - - -	= REF. 801-804 CB 2400 + REF. 809-814
897	2.3219.2040.0	- 1 - -	= REF. 801-804 CB 3000 + REF. 809-820
898	2.3219.2060.0	- - 1 -	= REF. 801-803 CB 2400 + REF. 805-814
899	2.3219.2080.0	- - - 1	= REF. 801-803 CB 3000 + REF. 805-820



CENTERLINER	type number type number numéro de type Typnummer	vanaf serienummer as from serial number après numéro de serie ab Seriennummer
CB - SL	2.3225.0000.1	960 - 0501



Aw001-03-01

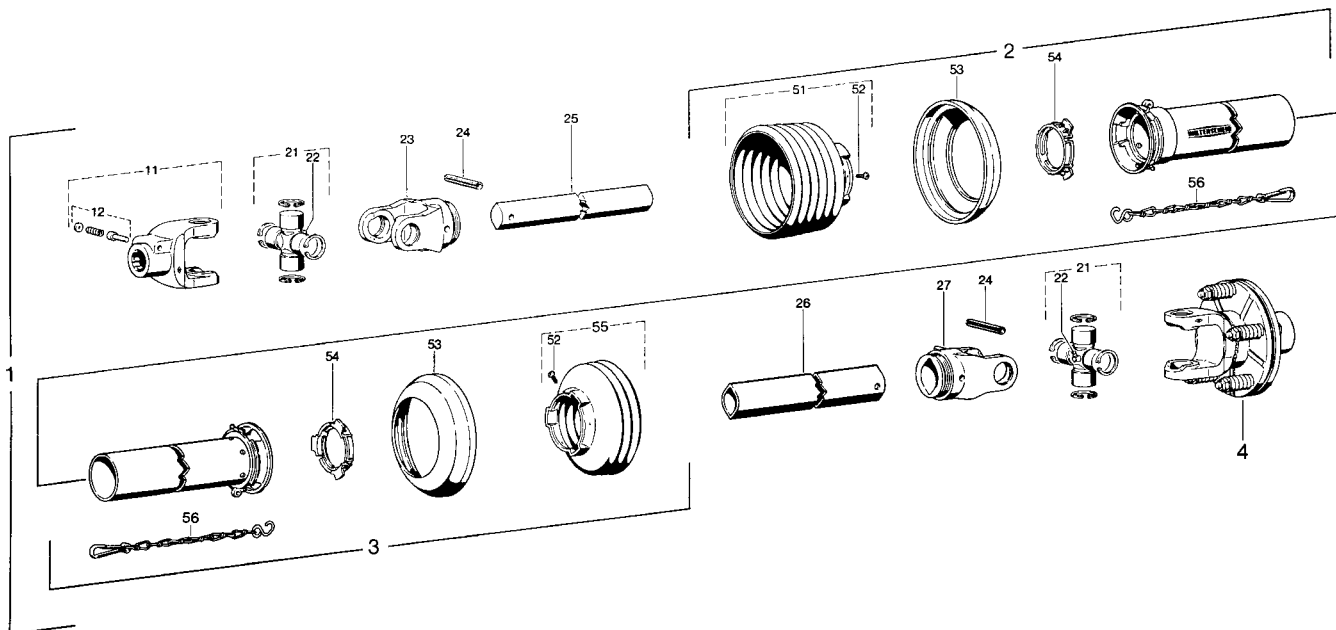
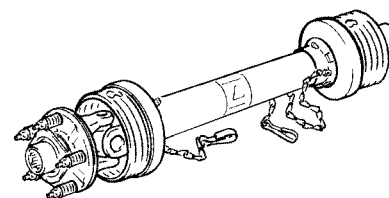
REF.	ONDERDEELNR. PART NUMBER REFERENCE TEILNUMMER	AANTAL QUANTITY QUANTITE ANZAHL	
------	--	--	--

1	9.1154.0075.5	1	W2100-SD05-860mm-K94 = REF. 2-56
2	85.005	1	SDH 05
3	85.004	1	SDH 05
4	56.101.19	1	K94 / 1-B-400Nm
11	10.10.00	1	1.3/8" (6)
12	33.91.07	1	AGRASET 101
21	10.01.00	2	
22	63.27.00	2	M8x1
23	10.48.00	1	RG2100-00a
24	61.04.01	2	8x50 DIN1481
25	75.06.15	1	00a
26	75.12.15	1	0a
27	10.49.00	1	RG 2100-0a
51	85.05.05	1	
52	60.15.00	2	4x10
53	83.10.03	2	
54	83.09.01	2	
55	82.36.03	2	
56	85.05.04	1	

REF.	ONDERDEELNR. PART NUMBER REFERENCE TEILNUMMER	AANTAL QUANTITY QUANTITE ANZAHL	
------	--	--	--



CENTERLINER	type number type number numéro de type Typnummer	vanaf serienummer as from serial number après numéro de serie ab Seriennummer
CB - SL	2.3225.0000.1	960 - 0501
CB - SL	2.3225.0002.1	980 - 0501



Aw001-05-01

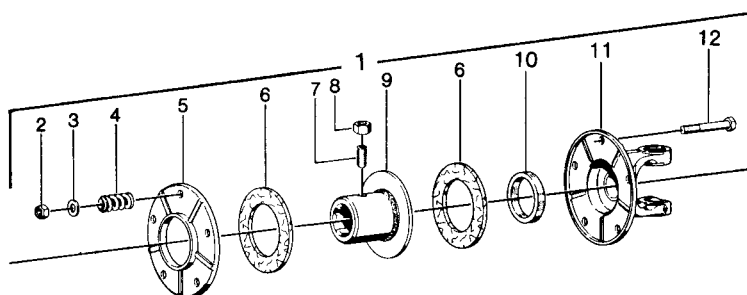
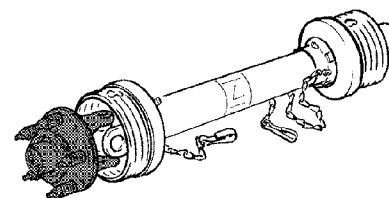
REF.	ONDERDEELNR. PART NUMBER REFERENCE TEILNUMMER	AANTAL QUANTITY QUANTITE ANZAHL	
------	--	--	--

1	9.1154.0152.5	1	W2100-SD05-860mm-K94/1 = REF. 2-56
2	85.005	1	SDH 05 L= 705 mm
3	85.004	1	SDH 05 L= 700 mm
4	56.110.19	1	K94/1-1.1/8" (6)-400Nm
11	10.10.00	1	1.3/8" (6)
12	33.91.07	1	AGRASET 101
21	10.01.00	2	
22	63.27.00	2	BM8x1
23	10.48.00	1	RG2100-00a
24	61.04.01	2	Ø8x50 DIN1481
25	75.06.15	1	00a L= 760 mm
26	75.12.15	1	0a L= 755 mm
27	10.49.00	1	RG 2100-0a
51	85.05.05	1	
52	60.15.00	2	4x10
53	83.10.03	2	
54	83.09.01	2	
55	85.05.03	1	
56	82.36.03	2	

REF.	ONDERDEELNR. PART NUMBER REFERENCE TEILNUMMER	AANTAL QUANTITY QUANTITE ANZAHL	
------	--	--	--



CENTERLINER	type number type number numéro de type Typnummer	vanaf serienummer as from serial number après numéro de serie ab Seriennummer
CB - SL	2.3225.0000.1	960 - 0501



Aw002-02-00

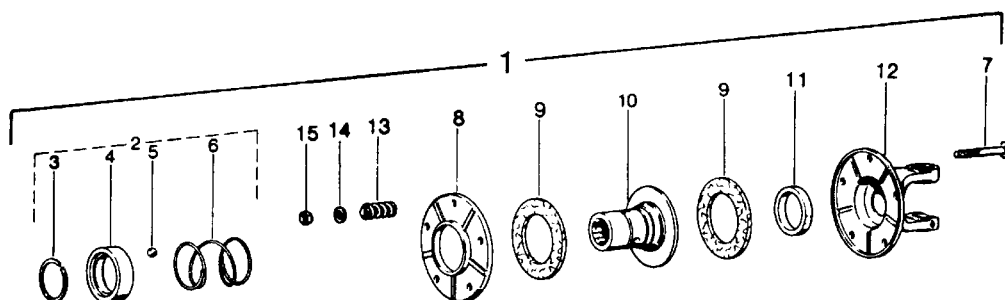
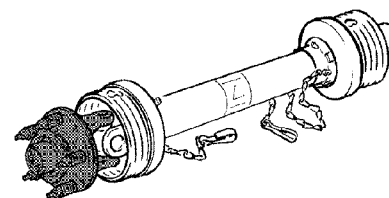
REF.	ONDERDEELNR. PART NUMBER REFERENCE TEILNUMMER	AANTAL QUANTITY QUANTITE ANZAHL	
------	--	--	--

1	56.101.19	1	K94/1-B-2100 1.1/8" (6); M= 400Nm. = REF. 2-12
2	9.1030.0012*3	5	M8 DIN 985
3	9.1048.0004*5	5	B8.4 DIN 125 [—]
4	66.01.47	5	
5	16.20.69	1	
6	56.73.07	2	
7	60.05.48	1	M10x25 DIN 913
8	60.52.00	1	M10 DIN 934
9	16.50.413	1	1.1/8" (6)
10	16.52.05	1	
11	10.34.121	1	
12	9.1113.0175*6	5	M8x60 DIN 931

REF.	ONDERDEELNR. PART NUMBER REFERENCE TEILNUMMER	AANTAL QUANTITY QUANTITE ANZAHL	
------	--	--	--



CENTERLINER	type number type number numéro de type Typnummer	vanaf serienummer as from serial number après numéro de serie ab Seriennummer
CB - SL	2.3225.0000.1	960 - 0501
CB - SL	2.3225.0002.1	980 - 0501



Aw002-03-00

REF.	ONDERDEELNR. PART NUMBER REFERENCE TEILNUMMER	AANTAL QUANTITY QUANTITE ANZAHL	
------	--	--	--

1	56.110.19	1	K94/1-2100 1.1/8" (6); 400Nm. = REF. 3-15
2	193658	1	AGRASET 140 = REF. 3-6
3	16.86.39	1	SW43
4	16.50.493	1	1.1/8"
5	64.01.00	3	3/8" V DIN 5401
6	66.01.55	1	
7	9.1113.0175*6	5	M8x60 DIN 931
8	16.20.69	1	
9	56.73.13	2	56x90x4,5
10	16.50.494	1	K94/1-1.1/8" (6)
11	16.52.05	1	43x53x9
12	10.34.121	1	K94/1-2100
13	66.01.47	5	
14	9.1048.0004*5	5	B8.4 DIN 125 [—]
15	9.1030.0012*3	5	M8 DIN 985

REF.	ONDERDEELNR. PART NUMBER REFERENCE TEILNUMMER	AANTAL QUANTITY QUANTITE ANZAHL	
------	--	--	--