

# LELY

CENTERLINER

type number  
type number  
numéro de type  
Typnummer

vanaf serienummer  
as from serial number  
après numéro de série  
ab Seriennummer

SE

2.3226.0000.1

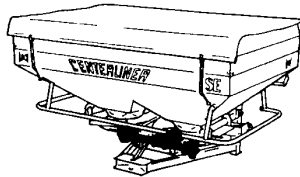
10202 - 0501

# SE1

Inhoud  
Contents  
Index  
Inhalt

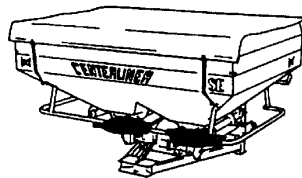
## CENTERLINER SE

pagina  
page  
page  
Seite



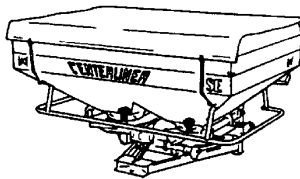
Aandrijving  
Transmission  
Entraînement  
Antrieb

01



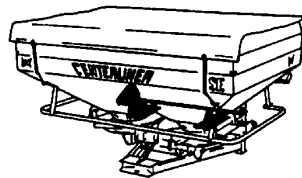
Werpschijven  
Ejector discs  
Disques éjecteurs  
Wurfscheiben

02



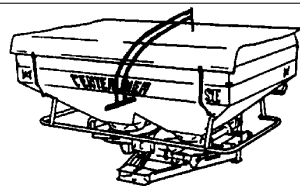
Agitators  
Agitators  
Agitateurs  
Rührwerke

02



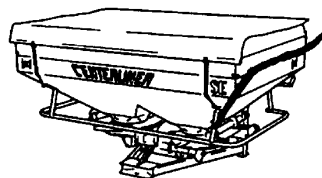
Dosering  
Feed system  
Ensemble de dosage  
Dosiervorrichtung

03



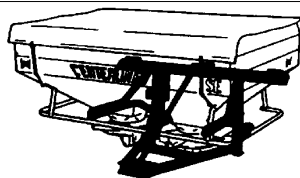
Hydraulische bediening  
Hydraulic command  
Commande hydraulique  
Hydraulische Bedienung

03



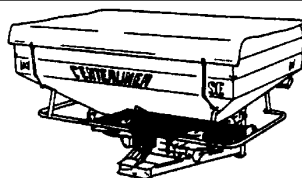
Bedieningskabel  
Command cable  
Câble de commande  
Bedienungskabel

03



Frame + kantelcilinder  
Frame + tilt ram  
Châssis + vérin d'inclinaison  
Rahmen + Zylinder zur Schrenkstellung

04



Spatscheren  
Splash shields  
Gardes-boue  
Kotflügel

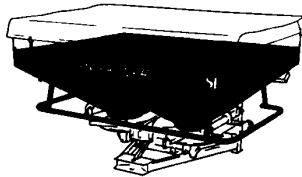
04

**LELY****CENTERLINER**type nummer  
type number  
numéro de type  
Typnummervanaf serienummer  
as from serial number  
après numéro de série  
ab Seriennummer

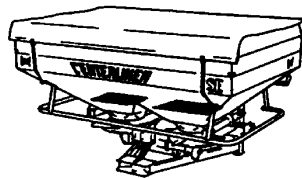
SE

2.3226.0000.1

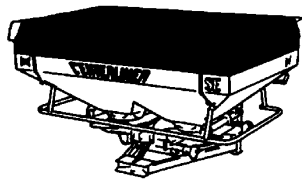
10202 - 0501

**SE1****Inhoud  
Contents  
Index  
Inhalt****CENTERLINER SE****pagina  
page  
page  
Seite**Voorraadbak  
Hopper  
Trémie  
Behälter

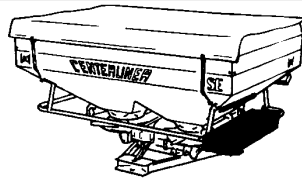
05

Zeven  
Sieves  
Tamis  
Siebe

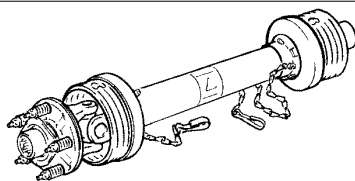
06

Opzetrand  
Hopper extension  
Rehausse de trémie  
Behälteraufsatz

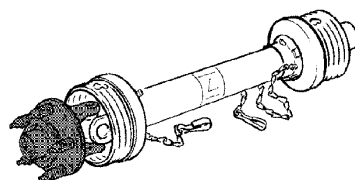
06

Kantstrooikap  
Headland spreading device  
Dispositif d'épandage en bordure  
Grenzstreuvorrichtung

07

Koppelingsas  
PTO shaft  
Arbre de transmission  
Gelenkwelle

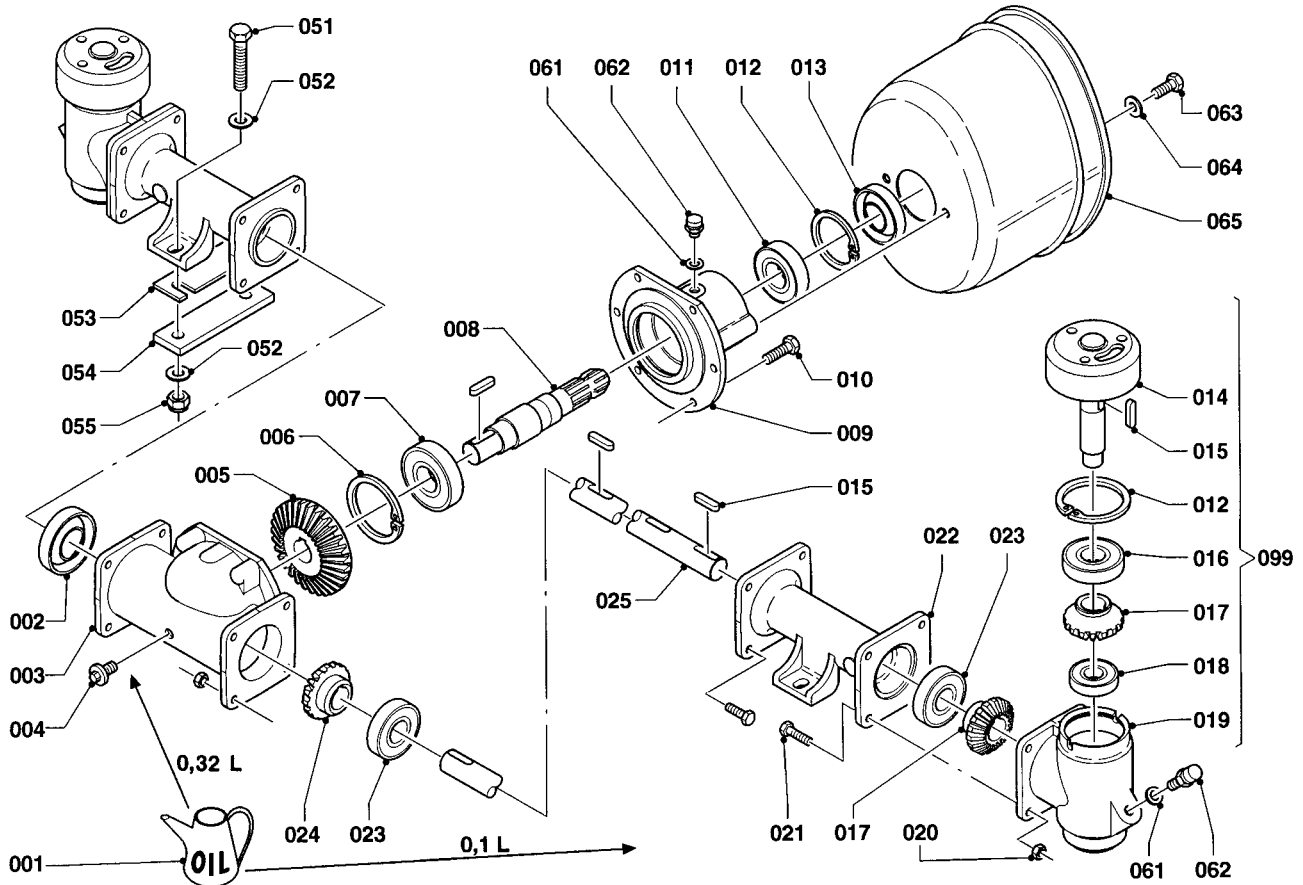
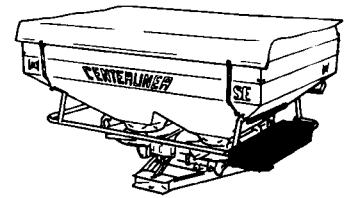
08

Slipkoppeling  
Friction clutch  
Limiteur à friction  
Reibkupplung

09



CENTERLINER	type number type number numéro de type Typnummer	vanaf serienummer as from serial number après numéro de serie ab Seriennummer
SE	2.3226.0000.1	10202 - 0501



A047-01-00

REF.	ONDERDEELNR. PART NUMBER REFERENCE TEILNUMMER	AANTAL QUANTITY QUANTITE ANZAHL	
------	--	--	--

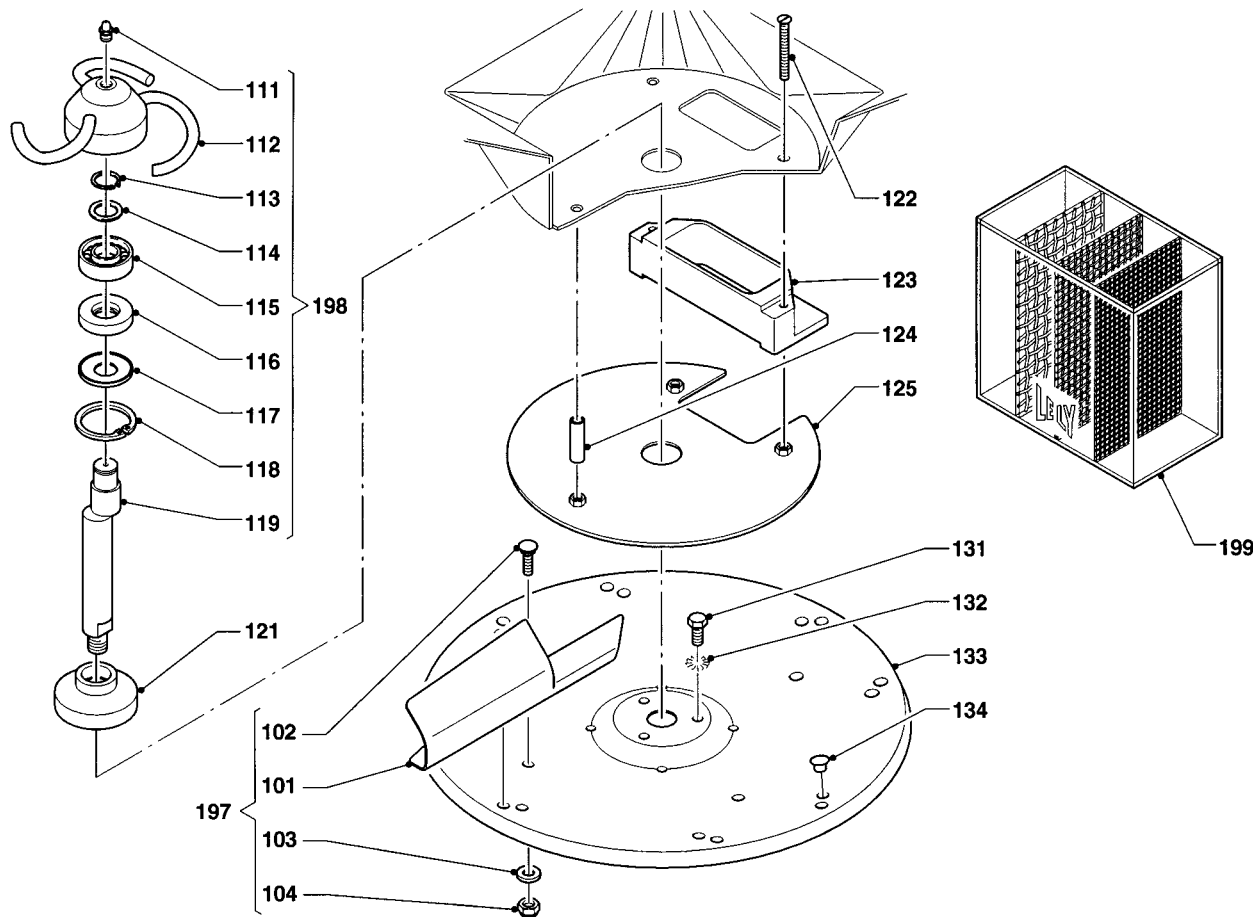
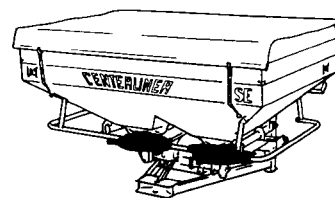
001	9.1171.0044.6	(0,52 L)	0,7L GP 80W90 ESSO
002	9.1042.0054.5	1	25x62x10 CB [» «]
003	2.3226.0319.0	1	
004	9.1131.0003.5	2 (+3)	1/8" Stop(fen) Plug Bouchon
005	2.3226.0314.0	1	
006	9.1120.0009.1	1	72x2,50 DIN 472
007	9.1001.0133.6	1	6306
008	2.3226.0315.0	1	
009	2.3226.0316.0	1	
010	9.1113.0014*6	6	M8x20 DIN 933-8.8
011	9.1001.0062.5	1	6206 C4
012	9.1120.0005.4	3	62x2,00 DIN 472
013	9.1042.0065.2	1	30x62x10 CB [» «]
014	2.3226.0311.0	1	M16L [R]
	2.3226.0310.0	1	M16 [L][x]
015	9.1071.0009.1	6	A8x7x32 DIN 6885
016	9.1001.0075.4	2	6305 2RS1-C3-MT47B
017	2.3217.0024.0	4	
018	9.1001.0071.0	2	6304 C4
019	2.3217.0025.0	2	
020	9.1030.0012*3	16	M8 DIN 985-8
021	9.1113.0130*3	16	M8x30 DIN 933-8.8
022	2.3226.0318.0	2	
023	9.1001.0061.4	3	6305 2RS1
024	2.3226.0313.0	1	
025	2.3226.0312.0	1	

REF.	ONDERDEELNR. PART NUMBER REFERENCE TEILNUMMER	AANTAL QUANTITY QUANTITE ANZAHL	
------	--	--	--

051	9.1113.0322.5	4	M10x55 DIN 933-A2-2
052	9.1048.0051.3	8	A10,5 DIN 125 [— —]
053	2.3217.1482.0	-	d= 1 mm
	2.3217.1488.0	-	d= 2 mm
	2.3217.1483.0	-	d= 4 mm
054	2.3226.0389.0	2	
055	9.1030.0022.6	4	M10 DIN 985-A2-2
061	9.1137.0405.2	3	Ø10,5x17x1,5 Cu [— —]
062	9.1150.0014.4	3	G1/8" Ontluchter / Breather Reniflard / Entlüfter
063	9.1113.0290.2	2	M8x16 DIN 933-A2-2
064	9.1048.0052.4	2	A8,4 DIN 9021 [— —]
065	2.3226.0309.0	1	
099	2.3226.0300.1	1	= REF. 001-025



CENTERLINER	type number type number numéro de type Typnummer	vanaf serienummer as from serial number après numéro de serie ab Seriennummer
SE	2.3226.0000.1	10202 - 0501



A048-01-00

REF.	ONDERDEELNR. PART NUMBER REFERENCE TEILNUMMER	AANTAL QUANTITY QUANTITE ANZAHL		
------	--	--	--	--

101	2.3226.1040.0	4	[R]	L= 255 mm
	2.3226.1041.0	4	[L][x]	L= 255 mm
102	9.1058.0031.1	16		M8x16 DIN 603-A2-2
103	9.1049.0014.0	16		Nylon M8 [—/—]
104	9.1030.0020.4	16		M8 DIN 985-A2-2

111	9.1068.0007*2	1+1		AM 8x1,25
112	2.3226.0640.0	1+1		
113	9.1119.0040.5	1+1		20x1,75 DIN 471
114	9.1052.0014.4	1+1		20x28x2,00 DIN 988 [—]
115	9.1001.0029.0	1+1		6204 RS1
116	9.1042.0083.6	1+1		25x47x7 CB [» «]
117	2.3226.0619.0	1+1		
118	9.1120.0034.5	1+1		48x1,75 DIN 472
119	2.3226.0620.0	1		M16L [R]
	2.3226.0630.0	1		M16 [L][x]

121	2.3226.0487.0	2		
122	9.1060.0035.3	6		M6x50 DIN 963-A2-2
123	2.3226.0489.0	2		
124	2.3226.0488.0	2		
125	2.3226.0420.0	1		[R]
	2.3226.0421.0	1		[L][x]
131	9.1113.0320.3	6		M8x12 DIN 933-A2-2
132	9.1051.0007.5	6		A8,2 DIN 6798 [////]
133	2.3226.1100.0	2		
134	9.1108.0047.3	16		Ø11,7

REF.	ONDERDEELNR. PART NUMBER REFERENCE TEILNUMMER	AANTAL QUANTITY QUANTITE ANZAHL		
------	--	--	--	--

197	2.3226.0000.4	1		= REF. 101-104 L= 255 mm
-----	---------------	---	--	--------------------------

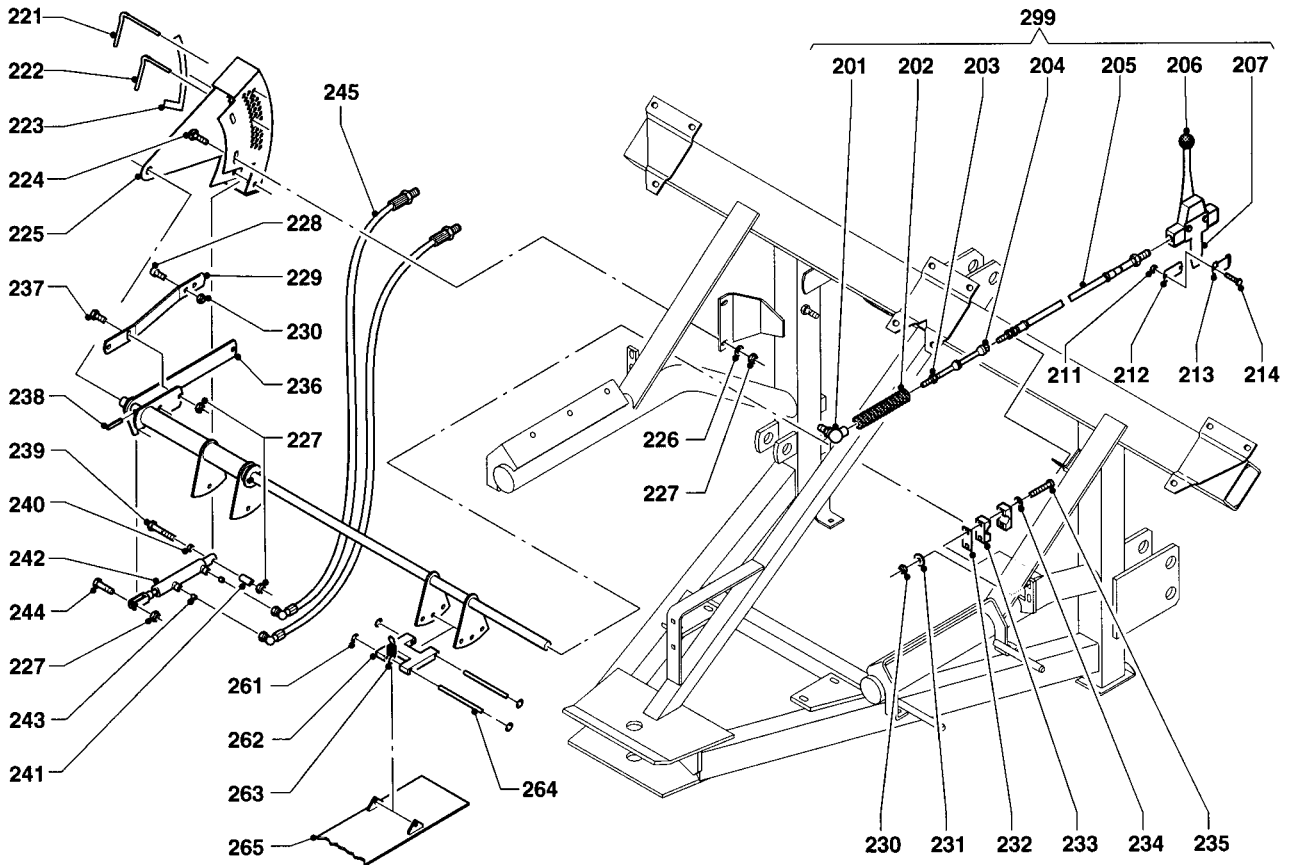
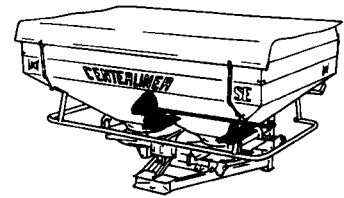
198	2.3226.0600.0	1		= REF. 111-119 [R] M16L
-----	---------------	---	--	-------------------------

198	2.3226.0610.0	1		= REF. 111-119 [L][x] M16
-----	---------------	---	--	---------------------------

199	2.3225.0800.0	1		
-----	---------------	---	--	--

LELY

CENTERLINER	type number type number numéro de type Typnummer	vanaf serienummer as from serial number après numéro de serie ab Seriennummer
SE	2.3226.0000.1	10202 - 0501



A049-01-00

REF.	ONDERDEELNR. PART NUMBER REFERENCE TEILNUMMER	AANTAL QUANTITY QUANTITE ANZAHL	
------	--	--	--

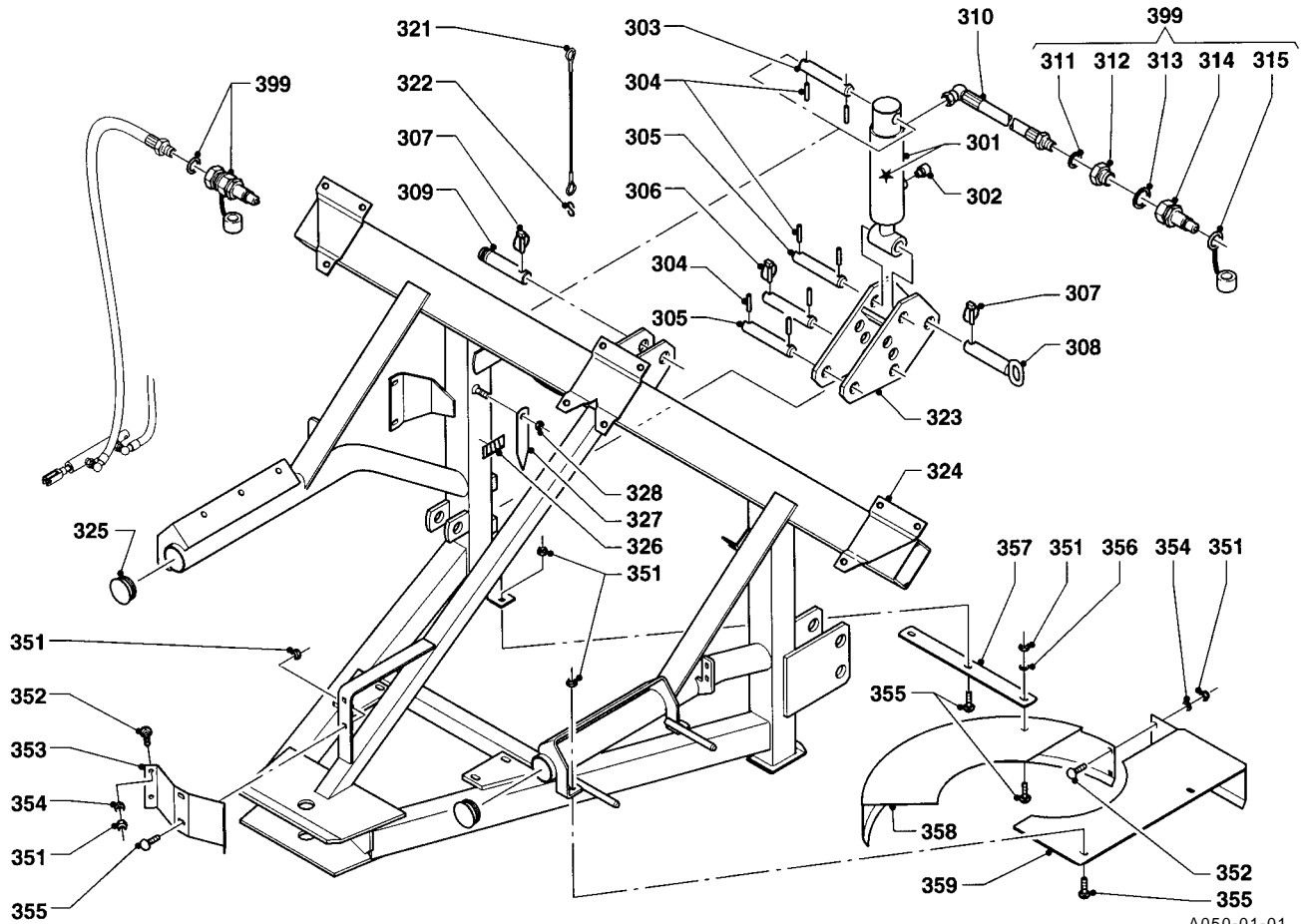
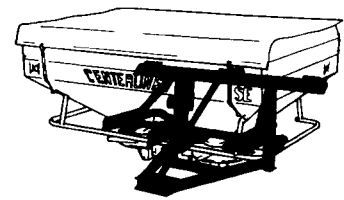
201	9.1180.0801.5	1	M6
202	9.1180.0802.6	1	
203	9.1180.0805.2	1	M6 L= 2800 mm
	9.1180.0812.0	-	M6 L= 3800 mm
204	9.1180.0803.0	1	
205	9.1180.0804.1	1	L= 2800 mm
	9.1180.0811.1	-	L= 3800 mm
206	9.1180.0806.3	1	
207	9.1180.0807.4	1	
211	9.1030.0011*2	2	M6 DIN 985-8
212	2.3217.1498.0	1	
213	2.3217.1497.0	1	
214	9.1113.0127*0	2	M6x20 DIN 933-8.8
221	2.3226.1060.0	1	
222	2.3226.1070.0	1	
223	9.1170.0398.4	1	"A-B-C"
224	9.1058.0053.2	2	M8x25 DIN 603-A2-2
225	2.3226.1050.0	1	
226	9.1048.0050*2	2	A8,4 DIN 125 [ ]
227	9.1030.0020.4	4	M8 DIN 985-A2-2
228	9.1057.0067.3	1	M6x12 DIN 912-A2-2
229	2.3226.0482.0	1	
230	9.1030.0021.5	5	M6 DIN 985-A2-2

REF.	ONDERDEELNR. PART NUMBER REFERENCE TEILNUMMER	AANTAL QUANTITY QUANTITE ANZAHL	
------	--	--	--

231	9.1048.0095.2	4	A6,4 DIN 9021 [ ]
232	9.1137.0932.4	2	
233	2.3226.0485.0	2	Cpl.
234	9.1048.0090.0	4	A6,4 DIN 125 [ ]
235	9.1059.0104.3	4	M6x50 DIN 84-A2-2
236	2.3226.0470.0	1	
237	9.1113.0174.5	2	M8x20 DIN 933-A2-2
238	9.1070.0059.3	1	Ø6x30 DIN 1481-A2-2
239	9.1113.0266.6	1	M8x65 DIN 931-A2-2
240	9.1073.0017.0	1	5 mm
241	9.1073.0018.1	1	25 mm
242	2.3218.2170.0	1	
243	2.3201.2400.0	2	M8x8 DIN 916-45H (Ø1,6)
244	9.1113.0168.6	1	M8x35 DIN 931-A2-2
245	2.2301.2311.0	2 (+1)	(1x= REF. 310) L= 1810 mm
261	9.1118.0011.5	8	6 mm
262	2.3226.0484.0	2	
263	9.1089.0018.6	2	
264	2.3226.0483.0	4	
265	2.3226.0400.0	2	
299	9.1180.0800.4	1	= REF. 201-207 L= 2800 mm
299	9.1180.0810.0	-	= REF. 201-207 L= 3800 mm



CENTERLINER	type number type number numéro de type Typnummer	vanaf serienummer as from serial number après numéro de serie ab Seriennummer
SE	2.3226.0000.1	10202 - 0501



A050-01-01

REF.	ONDERDEELNR. PART NUMBER REFERENCE TEILNUMMER	AANTAL QUANTITY QUANTITE ANZAHL	
------	--	--	--

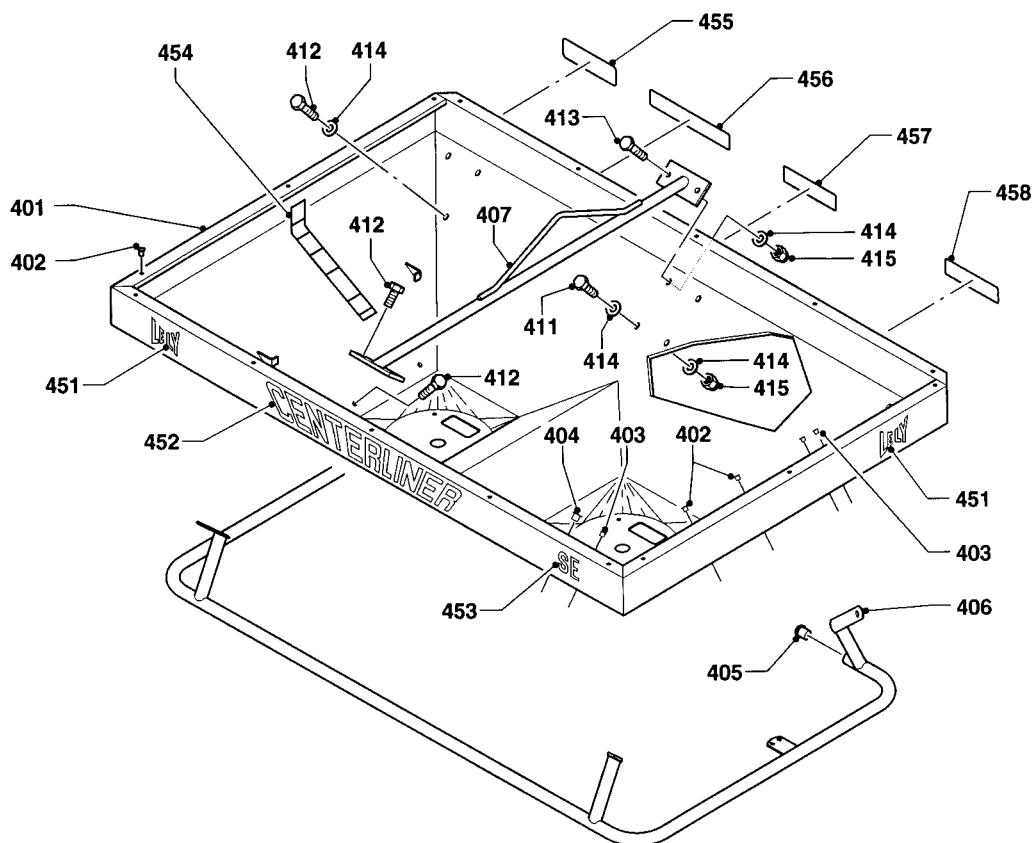
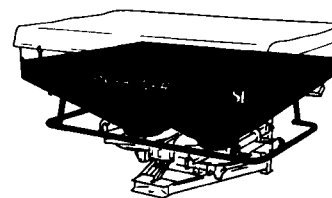
301	2.3225.0420.0	1	(301 = 301 + * +302)
*	2.3225.0429.0	(1)	(d= Ø30, D= Ø60/70) [A+A][x]
302	9.1150.0005.2	(1)	3/8" Ontluchter / Breather Reniflard / Entlüfter
303	2.3225.1492.0	1	L= 122 mm
304	9.1070.0061.5	9	Ø8x40 DIN 1481-A2-2
305	2.3219.1498.0	4	L= 142 mm
306	9.1123.0004*0	1	Ø8
307	9.1123.0002*5	3	Ø11
308	1.1804.0310.0	2	
309	9.1088.0005*1	1	25-95
310	2.3201.2311.0	1 (+2)	(2x= REF. 245) L= 1810 mm
311	9.1137.0401.5	1+2	Ø14x20x1,5 Cu [—]
312	9.1137.0603.4	1+2	1/2"-1/4" [—]
313	9.1137.0402.6	1+2	Ø22x29x1,5 Cu [—]
314	9.1137.0302.4	1+2	1/2" G
315	9.1137.0303.5	1+2	1/2" PVC
321	2.3222.1486.0	1	Ø4x300
322	9.1147.0006.6	1	Nr. 40
323	2.3226.1000.0	1	
324	2.3226.0100.0	1	
325	2.3201.0200.0	2	
326	9.1170.0162.6	1	0°-15°
327	2.3217.1487.0	1	
328	9.1030.0022.6	1	M10 DIN 985-A2-2

REF.	ONDERDEELNR. PART NUMBER REFERENCE TEILNUMMER	AANTAL QUANTITY QUANTITE ANZAHL	
------	--	--	--

351	9.1030.0020.4	17	M8 DIN 985-A2-2
352	9.1058.0031.1	8	M8x16 DIN 603-A2-2
353	2.3226.0509.0	1	
354	9.1049.0014.0	8	Nylon M8 [—]
355	9.1058.0032.2	9	M8x20 DIN 603-A2-2
356	9.1048.0050.2	2	A8,4 DIN 125 [—]
357	2.3226.0508.0	1	
358	2.3226.0510.0	1	[R]
	2.3226.0520.0	1	[L][x]
359	2.3226.0530.0	1	[R]
	2.3226.0540.0	1	[L][x]
399	2.3201.2312.8	3	= REF. 311-315



CENTERLINER	type number type number numéro de type Typnummer	vanaf serienummer as from serial number après numéro de serie ab Seriennummer
SE	2.3226.0000.1	10202 - 0501



A052-01-00

REF.	ONDERDEELNR. PART NUMBER REFERENCE TEILNUMMER	AANTAL QUANTITY QUANTITE ANZAHL
------	--	--

401	2.3226.0200.0	1
402	9.1108.0063.5	18    Ø9,3
403	9.1105.0007.0	4    Ø7
404	9.1105.0006.6	2    Ø12
405	9.1108.0085.6	2    Ø32
406	2.3226.1030.0	1
407	2.3226.1010.0	1

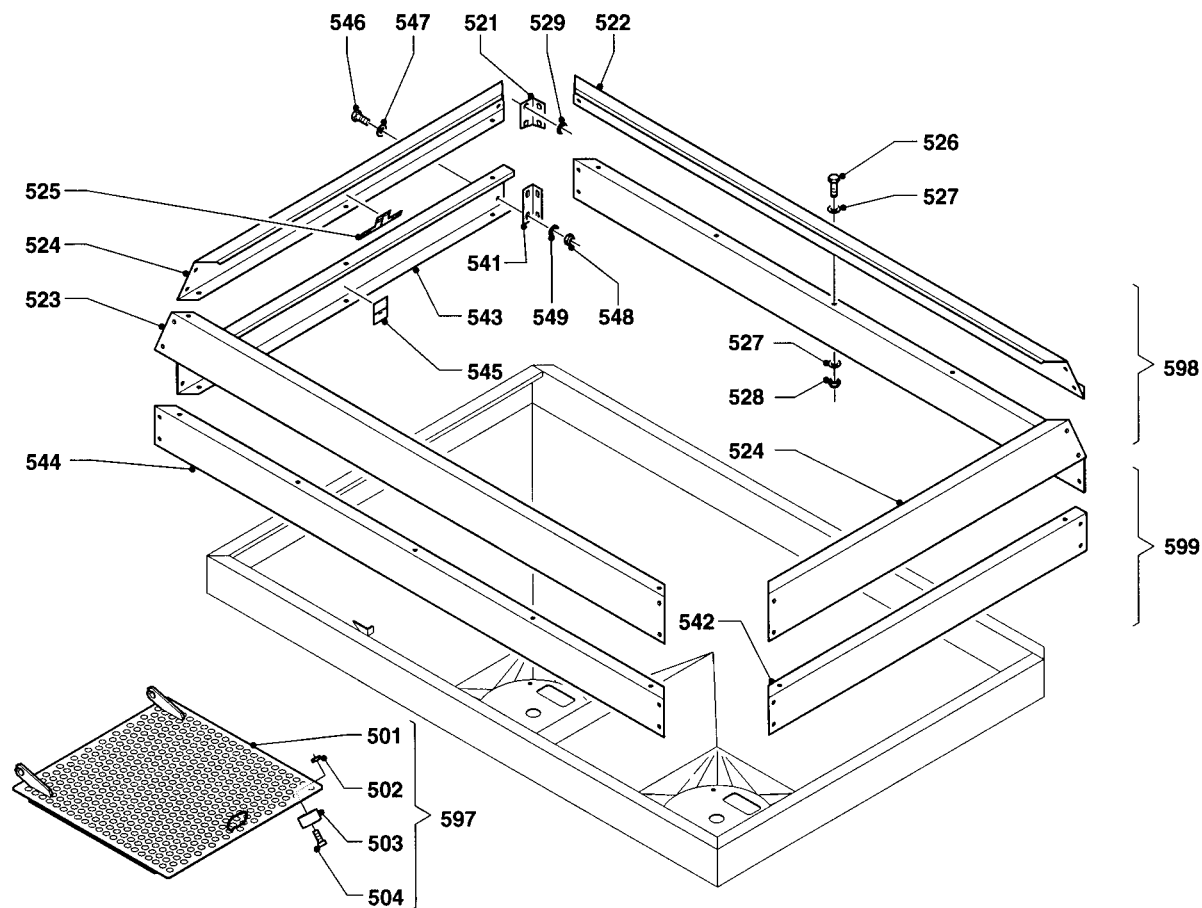
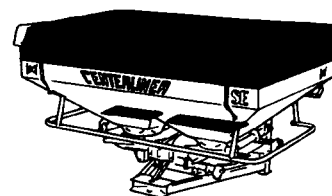
411	9.1113.0170.1	8    M10x25 DIN 933-A2-2
412	9.1113.0321.4	10    M10x30 DIN 933-A2-2
413	9.1113.0319.2	2    M10x35 DIN 933-A2-2
414	9.1048.0051.3	26    A10,5 DIN 125    [—]
415	9.1030.0022.6	20    M10 DIN 985-A2-2

REF.	ONDERDEELNR. PART NUMBER REFERENCE TEILNUMMER	AANTAL QUANTITY QUANTITE ANZAHL
------	--	--

451	9.1170.0200.2	3    "LELY"
452	9.1170.0199.1	1    "CENTERLINER"
453	9.1170.0399.5	1    "SE"
454	9.1170.0397.3	2    "700 L"
455	9.1170.0052.1	1    "LET OP; DRAAIENDE DELEN"
456	9.1170.0400.6	1    "A-B-C-D"
457	9.1170.0091.5	1    "ATTENTIE PTO INSCH. STAT."
458	9.1170.0069.4	1    "WERK VEILIG .... ZIE INSTR."



CENTERLINER	type nummer type number numéro de type Typnummer	vanaf serienummer as from serial number après numéro de serie ab Seriennummer
SE	2.3226.0000.1	10202 - 0501



A051-01-00

REF.	ONDERDEELNR. PART NUMBER REFERENCE TEILNUMMER	AANTAL QUANTITY QUANTITE ANZAHL
------	--	--

501	2.3226.1180.0	1+1
502	9.1030.0035.5	2+2
503	9.1105.0012.5	2+2
504	9.1057.0066.2	2+2
521	2.3226.1176.0	4
522	2.3226.1177.0	1
523	2.3226.1178.0	1
524	2.3226.1179.0	2
525	9.1170.0395.1	2
		"800-1000 L" / "1100-1200 L"
526	9.1113.0174.5	32
527	9.1048.0072.3	48
528	9.1030.0020.4	32
529	9.1048.0050.2	16
		A8,4 DIN 125 [ ]
541	2.3226.1156.0	4
542	2.3226.1157.0	1
543	2.3226.1158.0	1
544	2.3226.1159.0	2
545	9.1170.0396.2	2
		"800-1000 L"
546	9.1113.0174.5	32
547	9.1048.0072.3	48
548	9.1030.0020.4	32
549	9.1048.0050.2	16
		A8,4 DIN 125 [ ]

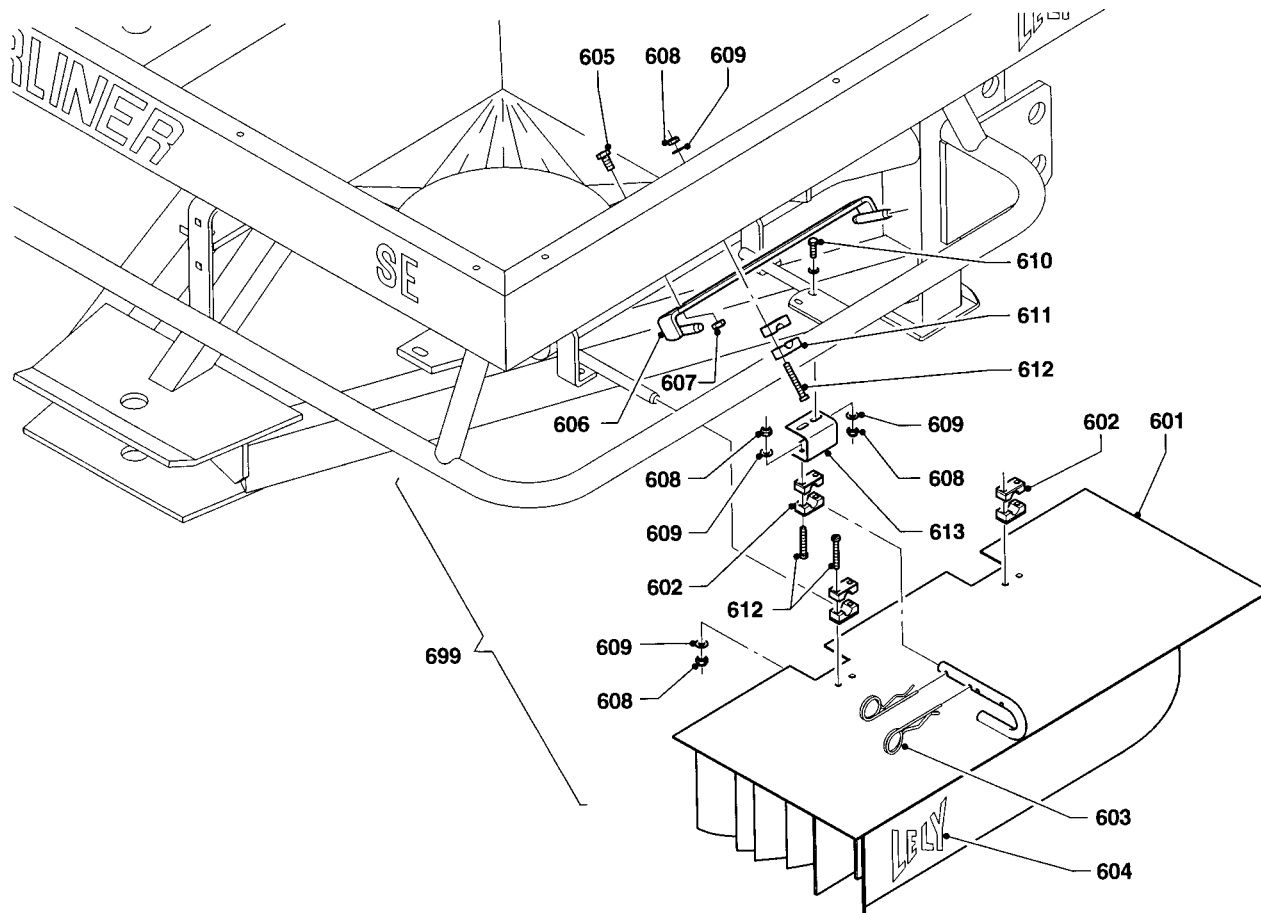
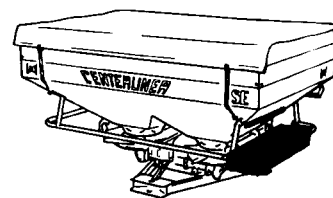
REF.	ONDERDEELNR. PART NUMBER REFERENCE TEILNUMMER	AANTAL QUANTITY QUANTITE ANZAHL
------	--	--

597	2.3226.1110.0	2	= REF. 501-504
598	2.3226.1160.0	(1)	= REF. 521-529 // \
599	2.3226.1140.0	(1)	= REF. 541-549 II II





CENTERLINER	type number type number numéro de type Typnummer	vanaf serienummer as from serial number après numéro de serie ab Seriennummer
SE	2.3226.0000.1	10202 - 0501



A054-01-00

REF.	ONDERDEELNR. PART NUMBER REFERENCE TEILNUMMER	AANTAL QUANTITY QUANTITE ANZAHL	
------	--	--	--

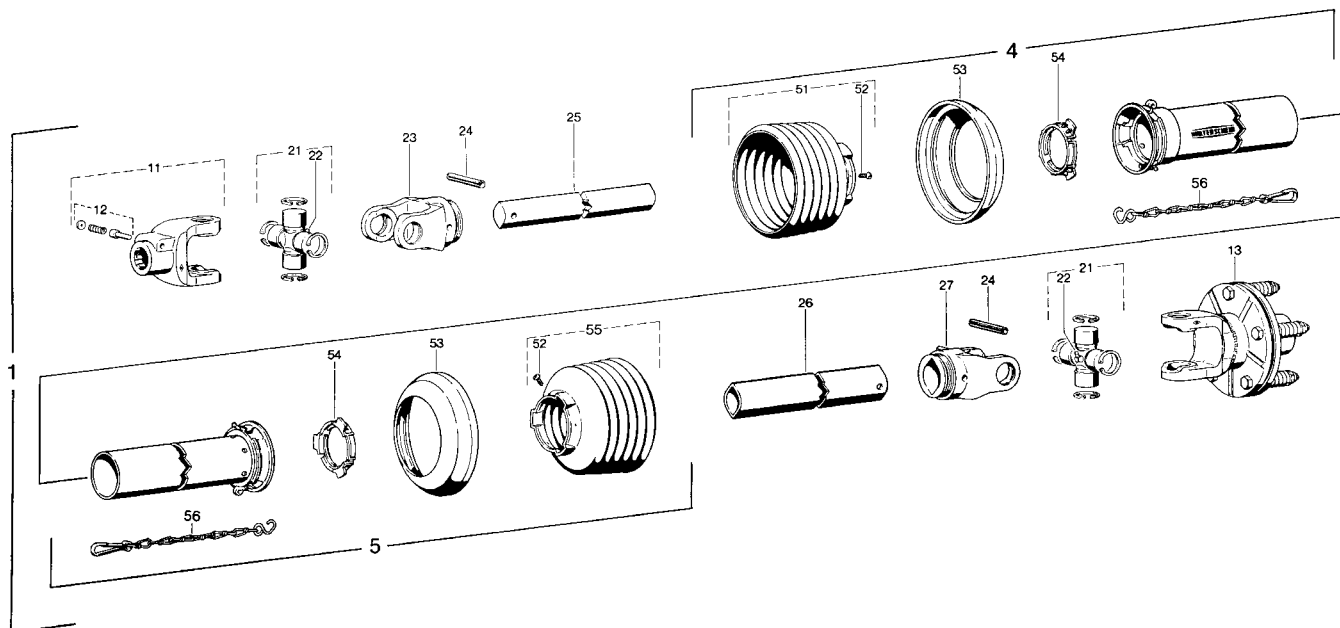
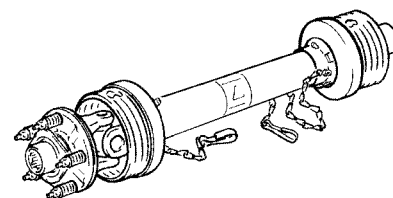
601	2.3226.1210.0	1	
602	9.1137.0933.5	3	Cpl.
603	9.1124.0009.4	2	Ø4
604	9.1170.0200.2	1	"LELY"
605	9.1113.0174.5	2	M8x20 DIN 933-A2-2
606	2.3226.1240.0	1	
607	9.1030.0020.4	2	M8 DIN 985-A2-2
608	9.1030.0021.5	10	M6 DIN 985-A2-2
609	9.1048.0090.0	12	A6,4 DIN 125 [—]
610	9.1113.0164.2	2	M6x20 DIN 933-A2-2
611	9.1137.0934.6	1	Cpl.
612	9.1059.0105.4	8	M6x40 DIN 84-A2-2
613	2.3226.1209.0	1	

699	2.3226.1200.0	(1)	= REF. 601-613
-----	---------------	-----	----------------

REF.	ONDERDEELNR. PART NUMBER REFERENCE TEILNUMMER	AANTAL QUANTITY QUANTITE ANZAHL	
------	--	--	--



CENTERLINER	type nummer type number numéro de type Typnummer	vanaf serienummer as from serial number après numéro de serie ab Seriennummer
SE	2.3226.0000.1	10202 - 0501



Aw001-06-00

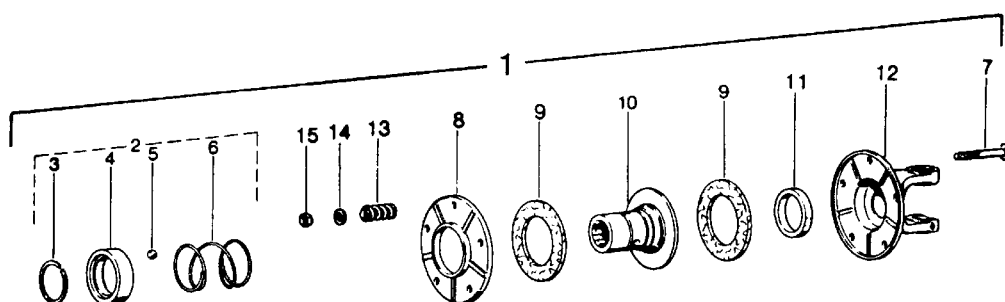
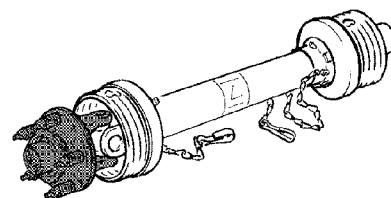
REF.	ONDERDEELNR. PART NUMBER REFERENCE TEILNUMMER	AANTAL QUANTITY QUANTITE ANZAHL	
------	--	--	--

1	9.1154.0177.2	1	W2102-SD05-860 mm-K94/1 = REF. 2-56
4	85.005	1	SDH05; L= 705 mm
5	85.004	1	SDH05; L= 700 mm
11	10.10.00	1	1.3/8" (6)
12	33.91.07	1	AGRASET 101
13	56.111.19	1	K94/1-1.1/8" (6); 400 Nm
21	10.01.00	2	
22	63.27.00	2	BM 8x1
23	10.48.00	1	RG2100-00a
24	61.04.01	2	Ø8x50 DIN1481
25	75.06.15	1	00a; L= 760 mm
26	75.12.15	1	0a; L= 755 mm
27	10.49.00	1	RG 2100-0a
51	85.05.05	1	n= 5
52	60.15.00	2	4x10
53	83.10.03	2	
54	83.09.01	2	
55	85.05.06	1	n= 6
56	82.36.03	2	

REF.	ONDERDEELNR. PART NUMBER REFERENCE TEILNUMMER	AANTAL QUANTITY QUANTITE ANZAHL	
------	--	--	--



CENTERLINER	type number type number numéro de type Typnummer	vanaf serienummer as from serial number après numéro de serie ab Seriennummer
SE	2.3226.0000.1	10202 - 0501



Aw002-03-00

REF.	ONDERDEELNR. PART NUMBER REFERENCE TEILNUMMER	AANTAL QUANTITY QUANTITE ANZAHL	
------	--	--	--

1	56.111.19	1	K94/1-2100 1.1/8" (6); 400 Nm = REF. 3-15
2	19.36.58	1	AGRASET 140 = REF. 3-6
3	16.86.39	1	SW43
4	16.50.493	1	1.1/8"
5	64.01.00	3	3/8" V DIN 5401
6	66.01.55	1	
7	9.1113.0175*6	5	M8x60 DIN 931
8	16.20.69	1	
9	56.73.13	2	56x90x4,5
10	16.50.494	1	K94/1-1.1/8" (6)
11	16.52.05	1	43x53x9
12	10.34.121	1	K94/1-2100
13	66.01.47	5	
14	9.1048.0004*5	5	B8,4 DIN 125 [—]
15	9.1030.0012*3	5	M8 DIN 985

REF.	ONDERDEELNR. PART NUMBER REFERENCE TEILNUMMER	AANTAL QUANTITY QUANTITE ANZAHL	
------	--	--	--