



CT-EV(S)

Inhoud
Contents
Index
Inhalt

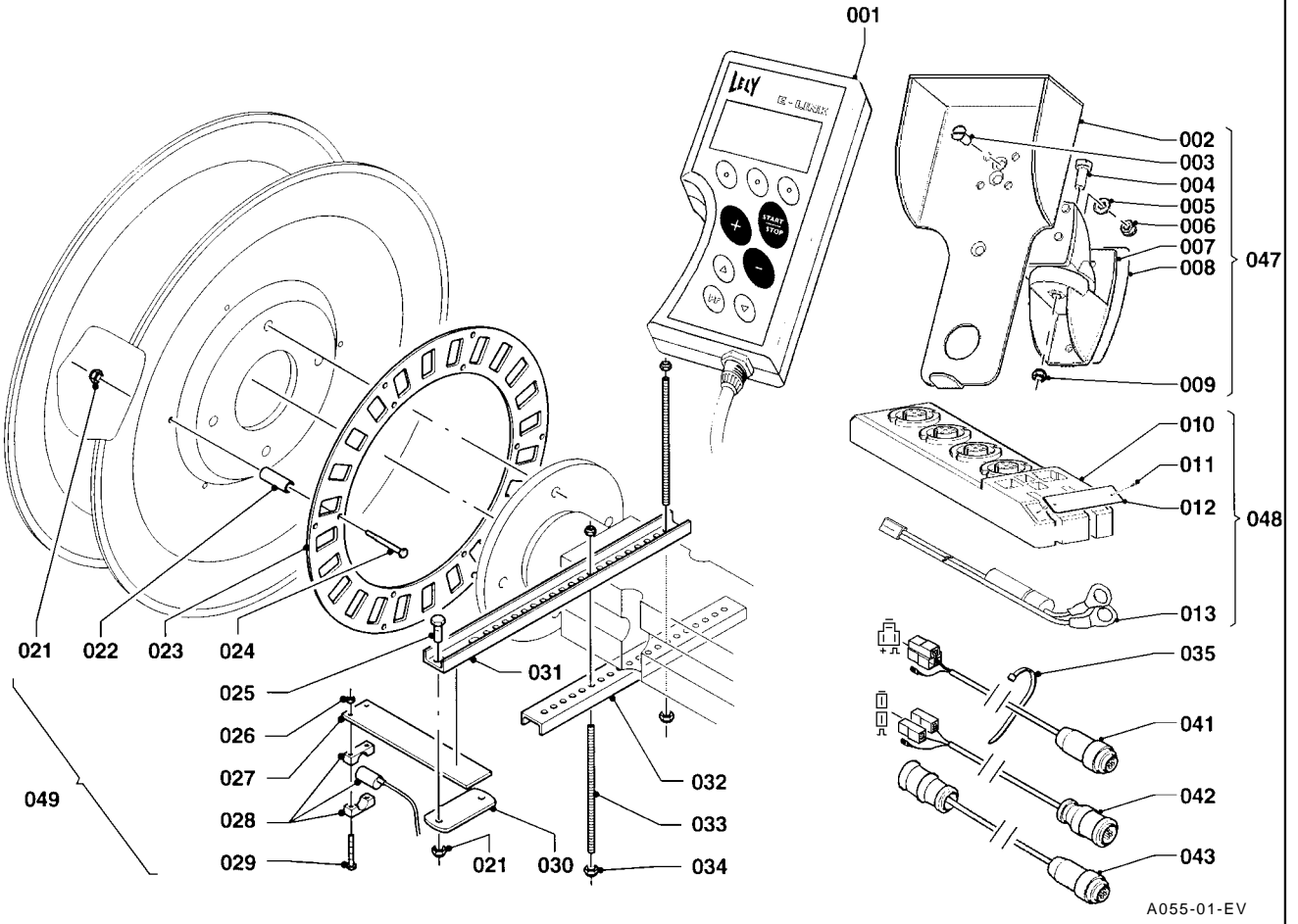
CENTRONIC EV/EVS + CENTERMATIC

pagina
page
page
Seite

CENTRONIC EV	E-LINK + Aansluitblok E-LINK + Terminal block E-LINK + Bloc de branchement E-LINK + Anschlussblock	01
CENTRONIC EV	Sensor (rijsnelheid) Sensor (forward speed) Capteur (de vitesse) Sensor (Fahrgeschwindigkeit)	01
CENTRONIC EV(S)	Sensor (werpschijftoerental) Sensor (spinner disc speed) Capteur (vitesse des disques) Sensor (Wurfscheibendrehzahl)	02+03
CENTRONIC EV(S)	Actuator Actuator Vérin électrique Spindelmotor	02+03
CENTRONIC EV(S)	Jobcomputer Jobcomputer Boîte de commande Jobcomputer	02+03+04
CENTERMATIC	Weegbok + Weegelement Weighing unit + Load cell Dispositif de pesée + Jauge de contrainte Wägevorrichtung + Wiegeelement	04+05
CENTERMATIC	Wielsteunpoten + Steunpoot Wheel parking jacks + Parking jack Supports de roue + Béquille de stationnement Radstützen + Abstellstützen	06



CENTRONIC EV(S)	type number type number numéro de type Typnummer	vanaf serienummer as from serial number après numéro de serie ab Seriennummer
CENTERLINER S/SL	2.3225.0040A1	10512 - 0501
SE	2.3226.0040A1	10512 - 0501
SX	2.3227.0040A1	10512 - 0501



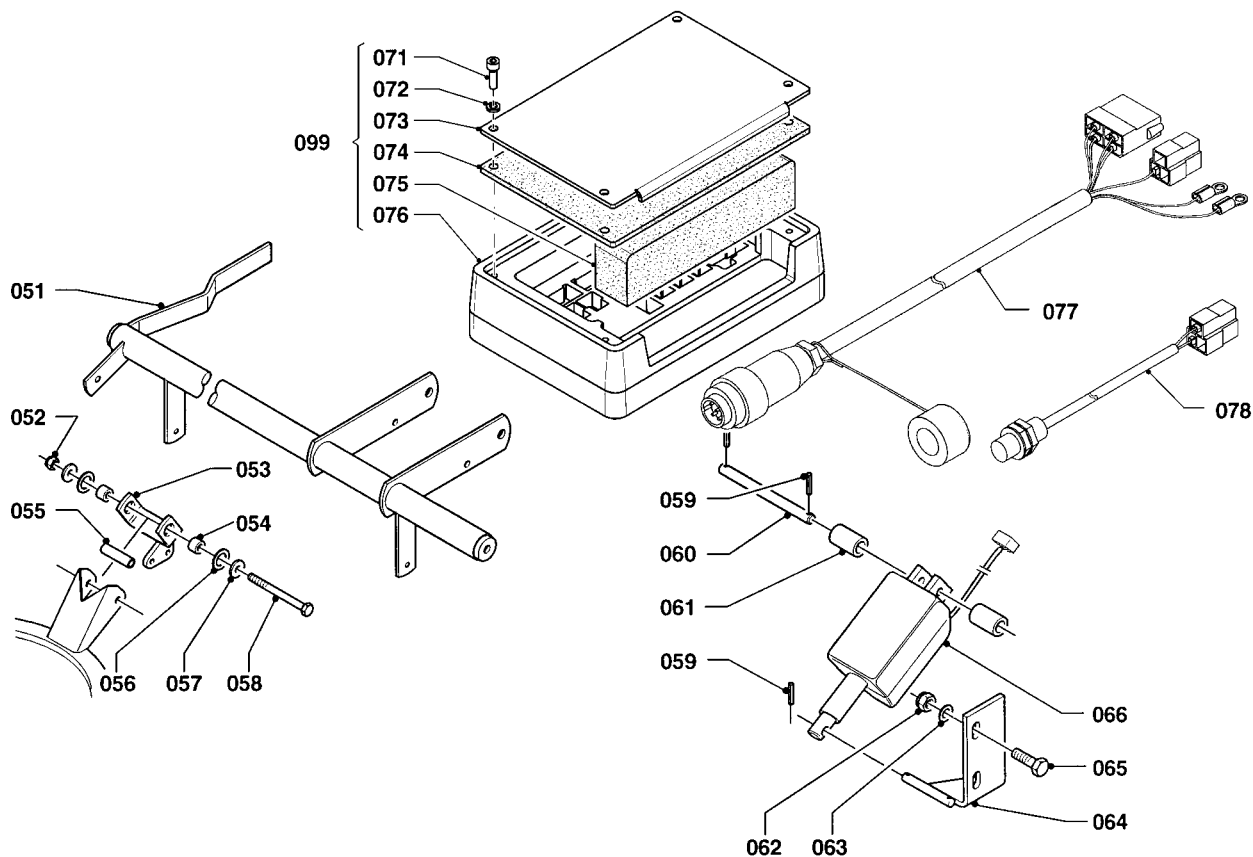
A055-01-EV

REF.	ONDERDEELNR. PART NUMBER REFERENCE TEILNUMMER	AANTAL QUANTITY QUANTITE ANZAHL	
001	6.2001.0028.0	1	⊗ E-LINK
002	6.2001.0078.0	1	⊗
003	9.1060.0039.0	1	⊗ M5x12 DIN 963-A2
004	9.1059.0105.4	1	⊗ M6x40 DIN 84-A2
005	9.1048.0086.3	1	⊗ A5,3 DIN 125-A2 []
006	9.1030.0035.5	1	⊗ M5 DIN 985-A2-2
007	9.1056.0006.6	1	⊗ SAT5 Cpl.
008	6.2001.0079.0	1	⊗
009	9.1030.0021.5	1	⊗ M6 DIN 985-A2-2
010	6.2001.0001.0	1	⊗
011	9.1064.0106.0	2	⊗ St 2,9x9,5-C-H DIN 7981-A2-2
012	6.2001.0017.0	1	⊗
013	6.2001.0012.0	1	⊗
021	9.1030.0020.4	8	M8 DIN 985-A2-2
022	2.3225.0286.0	6	75 mm
	2.3225.0287.0	6	50 mm
	2.3225.0288.0	6	25 mm
023	2.3225.0309.0	1	D= Ø205 mm + Ø310 mm (Carr)
	2.3225.0289.0	1	D= Ø340 mm + Ø480 mm (Trac)
	2.3225.0299.0	1	D= Ø440 mm + Ø620 mm (Trac)
024	9.1113.0475.2	6	M8x60 DIN 931-A2-2
	9.1113.0347.2	6	M8x80 DIN 931-A2-2
	9.1113.0483.3	6	M8x110 DIN 931-A2-2
025	9.1113.0340.2	2	M8x30 DIN 933-A2-2
026	9.1030.0035.5	2	M5 DIN 980-A2-2
027	2.3225.0284.0	1	(Tractor)
	2.3225.0306.0	1	(Carrier)

REF.	ONDERDEELNR. PART NUMBER REFERENCE TEILNUMMER	AANTAL QUANTITY QUANTITE ANZAHL	
028	6.2001.0005.0	1	L=4000 (Tractor)
	6.2001.0047.0 +	1	L=7250 (Carrier)
	6.2001.0081.0	1	L=4000 (Carrier)
029	9.1057.0043.0	2	M5x40 DIN 912-A2-2
030	2.3225.0283.0	1	
031	2.3225.0285.0	1	
032	2.3225.0280.0	1	
033	2.3225.0282.0	2	M10x220-A2-2
034	9.1030.0022.6	4	M10 DIN 985-A2-2
035	9.1164.0015.5	10	280x5,0
	9.1164.0016.6	5	762x9,0
	9.1164.0020.3	5	380x7,9
041	6.2001.0043.0	1	⊗ Cpl. DIN9684/ISO11786
042	6.2001.0044.0	1	⊗ Fendt >1996-JD-Deutz Fahr
043	9.1178.0542.0	(1)	Cpl. MF+datatronic 2
			2m
047	6.2001.0077.0	1	⊗ = REF. 002-009
048	2.1004.2590.0	1	⊗ = REF. 010-013
049	2.3225.0861.0	1	⊗ = REF. 021-035 D= Ø205 (C)
	2.3227.1090.0	1	⊗ = REF. 021-035 D= Ø340 (T)
	2.3227.1100.0	1	⊗ = REF. 021-035 D= Ø440 (T)
⊗	1x per/per/par/pro		CENTERLINER
⊗	1x per/per/par/pro		Trekker / Tractor Tracteur / Schlepper / Carrier / Carrier Chariot de transport / Fahrgestell



CENTRONIC EV(S)	type nummer type number numéro de type Typnummer	vanaf serienummer as from serial number après numéro de série ab Seriennummer
CENTERLINER SE	2.3226.0040A1	10512 - 0501



A061-01-EV

REF.	ONDERDEELNR. PART NUMBER REFERENCE TEILNUMMER	AANTAL QUANTITY QUANTITE ANZAHL
------	--	--

051	2.3226.0710.0	1
052	9.1030.0020.4	2
053	2.3225.0620.0	1
	2.3225.0610.0	1
054	2.3225.0529.0	4
055	2.3218.0146.0	2
056	9.1048.0082.6	4
057	9.1048.0052.4	4
058	9.1113.0277.3	2
059	9.1070.0053.4	3
060	2.3226.0714.0	1
061	2.3225.1482.0	2
062	9.1030.0023.0	2
063	9.1048.0012*6	2
064	2.3226.0720.0	1
065	9.1113.0337.6	2
066	6.2001.0041.0	1
067	9.1186.0106.4	-

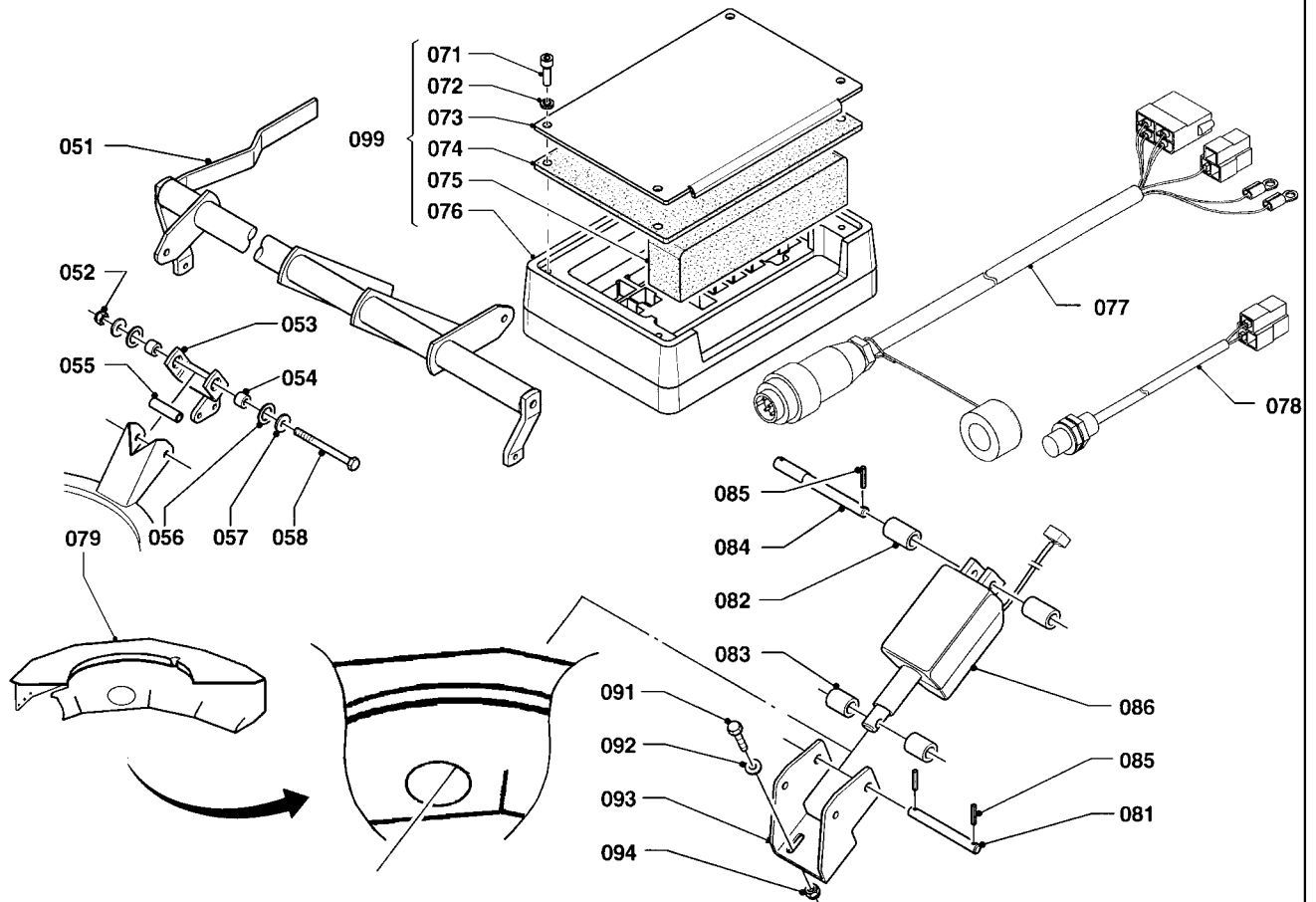
REF.	ONDERDEELNR. PART NUMBER REFERENCE TEILNUMMER	AANTAL QUANTITY QUANTITE ANZAHL
------	--	--

071	9.1057.0066.2	4
072	9.1121.0028.5	4
073	6.2001.0018.0	1
074	6.2001.0019.0	1
075	6.2001.0016.0	1
076	6.2001.0008.0	1
077	6.2001.0071.0	1
	6.2001.0042.0	1
078	6.2001.0004.0	1
099	2.3227.1060.0	1

M5x16 DIN 912-A2
A5 DIN 127-A2 [—]
[R]
[L][x]
CENTRONIC EV(S)
L=3500 Cpl. EV
L=2000 Cpl. EVS
Cpl.
= REF.071-076



CENTRONIC EV(S)	type number type number numéro de type Typnummer	vanaf serienummer as from serial number après numéro de serie ab Seriennummer
CENTERLINER S/SL	2.3225.0040A1	10512 - 0501
SX	2.3227.0040A1	10512 - 0501



A056-03-EV

REF.	ONDERDEELNR. PART NUMBER REFERENCE TEILNUMMER	AANTAL QUANTITY QUANTITE ANZAHL
------	--	--

051	2.3225.0760.0	1
052	9.1030.0020.4	2
053	2.3225.0620.0	1
	2.3225.0610.0	1
054	2.3225.0529.0	4
055	2.3218.0146.0	2
056	9.1048.0082.6	4
057	9.1048.0052.4	4
058	9.1113.0277.3	2
071	9.1057.0066.2	4
072	9.1121.0028.5	4
073	6.2001.0018.0	1
074	6.2001.0019.0	1
075	6.2001.0016.0	1
076	6.2001.0008.0	1
077	6.2001.0071.0	1
	6.2001.0042.0	1
078	6.2001.0004.0	1
079	2.3227.0980.0	1
081	2.3225.1481.0	1
082	2.3225.1482.0	2
083	2.3225.1483.0	2
084	2.3225.1484.0	1
085	9.1070.0053.4	4
086	6.2001.0041.0	1

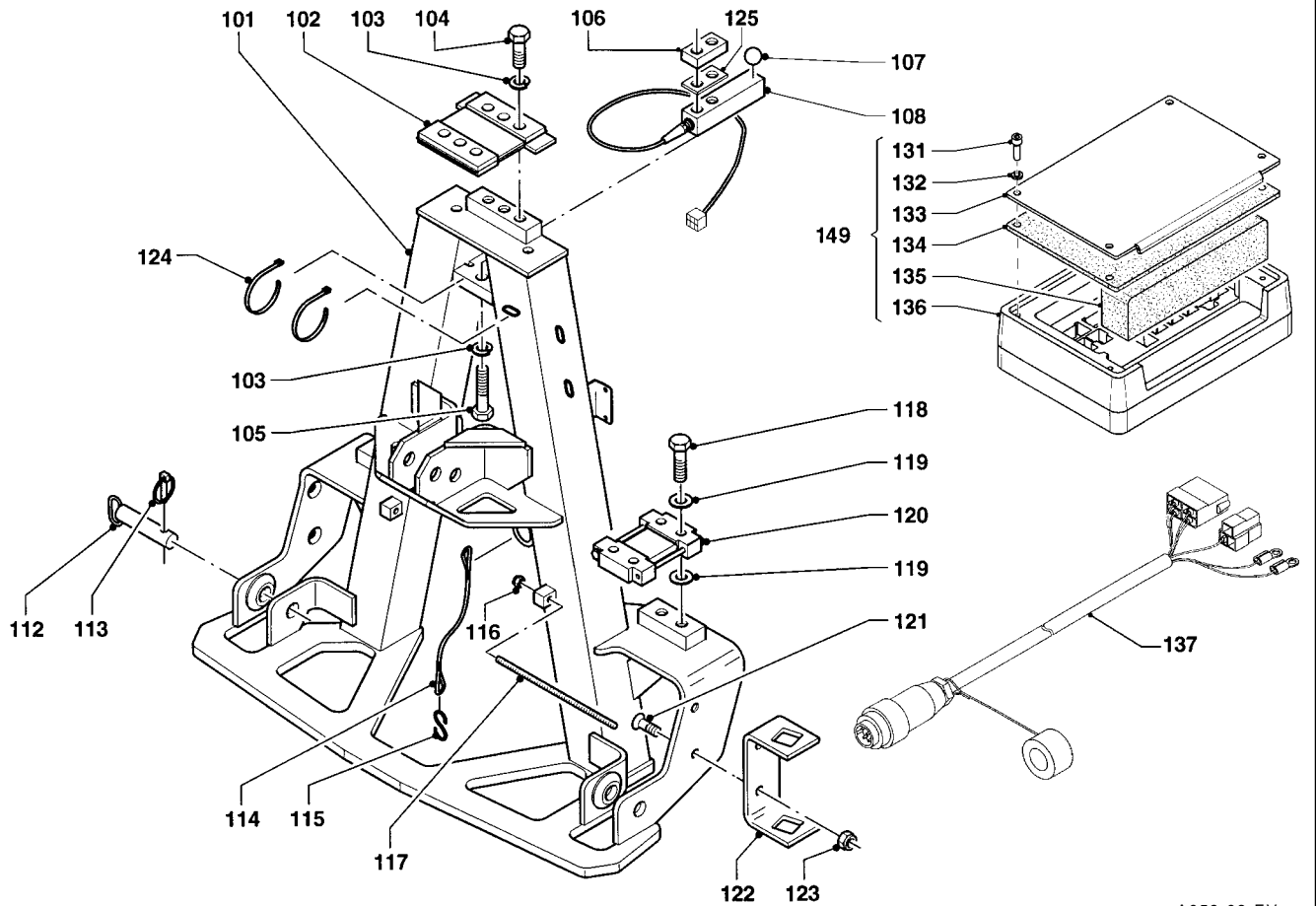
REF.	ONDERDEELNR. PART NUMBER REFERENCE TEILNUMMER	AANTAL QUANTITY QUANTITE ANZAHL
------	--	--

091	9.1113.0170.1	2
092	9.1048.0051.3	2
093	2.3225.1489.0	1
094	9.1030.0022.6	2
099	2.3227.1060.0	1

= REF. 071-076



	type number type number numéro de type Typnummer	vanaf serienummer as from serial number après numéro de serie ab Seriennummer
CENTERMATIC	2.3225.2540A0	10512 - 0501



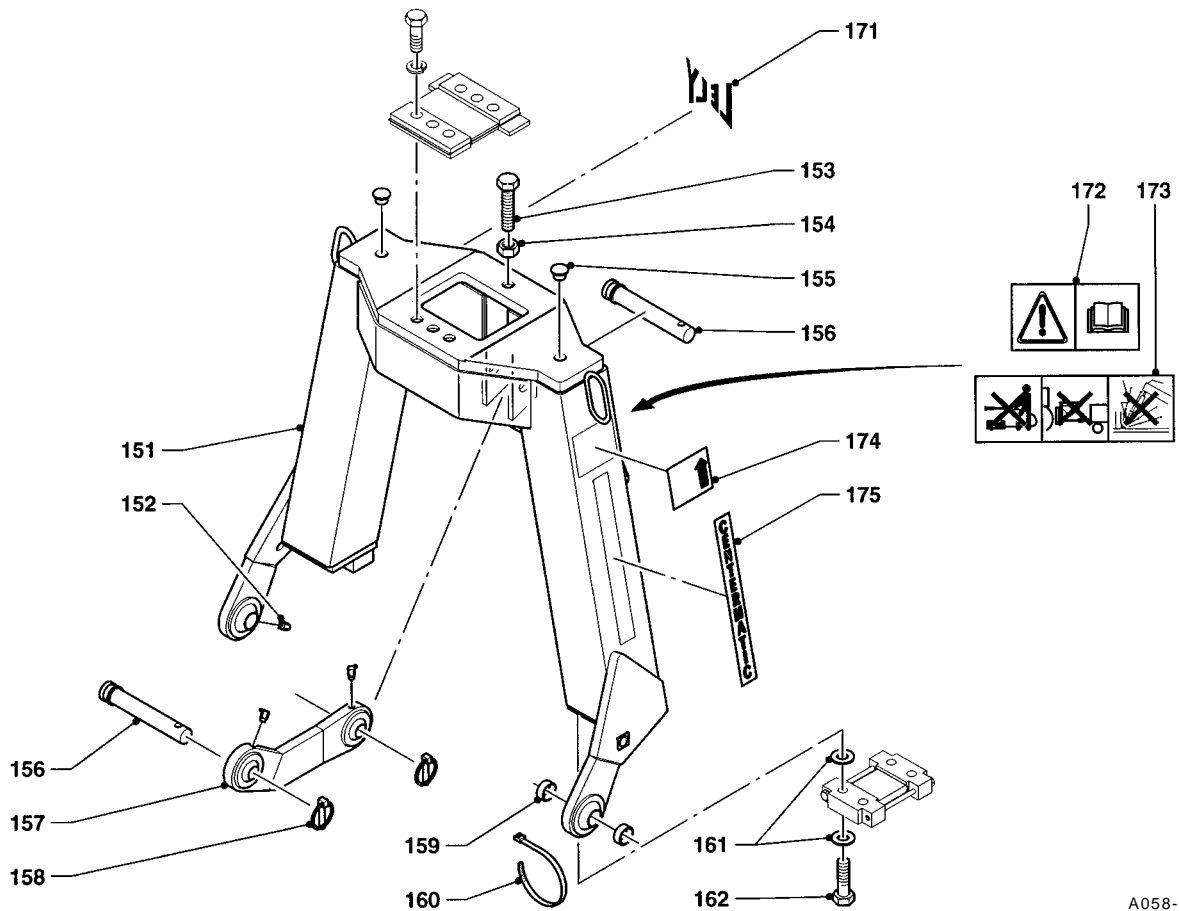
A059-03-EV

REF.	ONDERDEELNR. PART NUMBER REFERENCE TEILNUMMER	AANTAL QUANTITY QUANTITE ANZAHL	
101	2.3225.2530.0	1	4000kg
102	2.3225.2100.0	1	
103	9.1121.0027.4	8	A20 DIN 127 [—/—]
104	9.1113.0328.4	6	M20x50 DIN 931-A2-2
105	9.1113.0330.6	2	M20x90 DIN 931-A2-2
106	2.3225.2169.0	1	
107	9.1021.0009.2	1	Ø30
108	6.2001.0045.0	1	Cpl.
112	1.1804.0310.0	2	
113	9.1123.0002*5	2	Ø11
114	2.3222.1486.0	1	
115	9.1147.0006.6	1	
116	9.1030.0022.6	4	M10 DIN 985-A2-2
117	2.3225.2168.0	2	
118	9.1113.0329.5	4	M20x60 DIN 931-A2-2
119	2.3225.2607.0	8	
120	2.3225.2610.0	2	
121	9.1057.0315.6	4	M16x40 DIN 7991-A2-2
122	2.3225.2166.0	2	
123	9.1030.0034.4	4	M16 DIN 985-A2-2
124	9.1164.0033.2	7	368x5,0
125	2.3225.2609.0	1	CENTERLINER SX

REF.	ONDERDEELNR. PART NUMBER REFERENCE TEILNUMMER	AANTAL QUANTITY QUANTITE ANZAHL	
131	9.1057.0066.2	4	M5x16 DIN 912-A2
132	9.1121.0028.5	4	A5 DIN 127-A2 [—/—]
133	6.2001.0018.0	1	
134	6.2001.0019.0	1	
135	6.2001.0016.0	1	
136	6.2001.0082.0	1	CENTERMATIC
137	6.2001.0025.0	1	L = 5000
149	2.3225.2650.0	1	= REF 131-136



	type number type number numéro de type Typnummer	vanaf serienummer as from serial number après numéro de serie ab Seriennummer
CENTERMATIC	2.3225.2540A0	10512 - 0501



A058-02-00

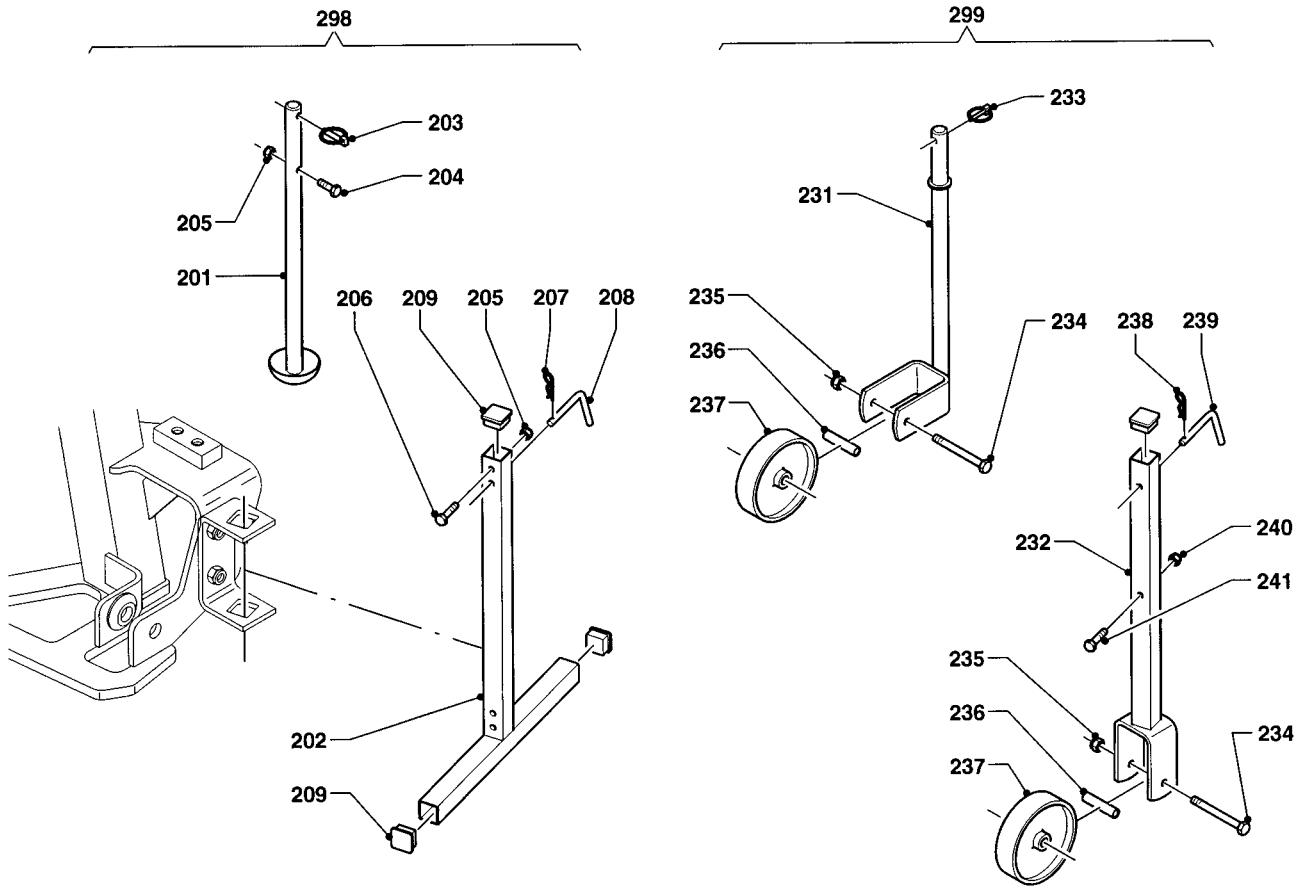
REF.	ONDERDEELNR. PART NUMBER REFERENCE TEILNUMMER	AANTAL QUANTITY QUANTITE ANZAHL	
------	--	--	--

151	2.3225.2560.0	1	4000kg
152	9.1068.0016.4	4	CM 8 x 1,25-90°
153	9.1113.0355.3	1	M24x80 DIN 933-A2-2
154	9.1029.0051.6	1	M24 DIN 934-A2
155	9.1108.0082.3	2	
156	9.1088.0004*0	2	25-105
157	2.3225.2590.0	1	
158	9.1123.0002*5	2	Ø11
159	2.3225.2167.0	2	CENTERLINER SL
	2.3225.2608.0	2	CENTERLINER SX
160	9.1164.0033.2	1	368x5,0
161	2.3225.2607.0	8	
162	9.1113.0329.5	4	M20x60 DIN 931-A2-2
171	9.1170.0200.2	1	"LELY"
172	9.1170.0408.0	1	
173	9.1170.0444.1	1	
174	9.1170.0173.3	2	"⚠"
175	9.1170.0416.1	2	"CENTERMATIC"

REF.	ONDERDEELNR. PART NUMBER REFERENCE TEILNUMMER	AANTAL QUANTITY QUANTITE ANZAHL	
------	--	--	--



	type number type number numéro de type Typnummer	vanaf serienummer as from serial number après numéro de serie ab Seriennummer
CENTERMATIC	2.3225.2540.0	10512 - 0501



A060-01-00

REF.	ONDERDEELNR. PART NUMBER REFERENCE TEILNUMMER	AANTAL QUANTITY QUANTITE ANZAHL	
------	--	--	--

S/SL-SX CENTERLINER

201	2.3225.2131.0	(1)	
202	2.3225.2140.0	(2)	
203	9.1123.0002*5	(1)	Ø11
204	9.1113.0334.3	(1)	M10x40 DIN 931-A2-2
205	9.1030.0022.6	(5)	M10 DIN 985-A2-2
206	9.1113.0322.5	(4)	M10x55 DIN 933-A2-2
207	9.1124.0002*4	(2)	Ø3
208	4.1201.2049.0	(2)	
209	9.1108.0065.0	(6)	40x40x3

298 2.3225.2241.0 (1) = REF. 201-209

REF.	ONDERDEELNR. PART NUMBER REFERENCE TEILNUMMER	AANTAL QUANTITY QUANTITE ANZAHL	
------	--	--	--

S/SL-SX CENTERLINER

231	2.3225.2201.0	1	
232	2.3225.2190.0	1	[R]
	2.3225.2180.0	1	[L][x]
233	9.1123.0002*5	1	Ø11
234	9.1113.0338.0	3	M12x100 DIN 931-A2-2
235	9.1030.0023.0	3	M12 DIN 985-A2-2
236	2.3225.2219.0	3	
237	9.1175.0027.6	3	Ø150
238	9.1124.0002*4	2	Ø3
239	4.1201.2049.0	2	
240	9.1030.0022.6	2	M10 DIN 985-A2-2
241	9.1113.0322.5	2	M10x55 DIN 933-A2-2

299 2.3225.2171.0 1 = REF. 231-241