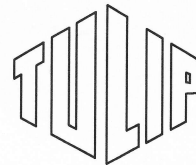
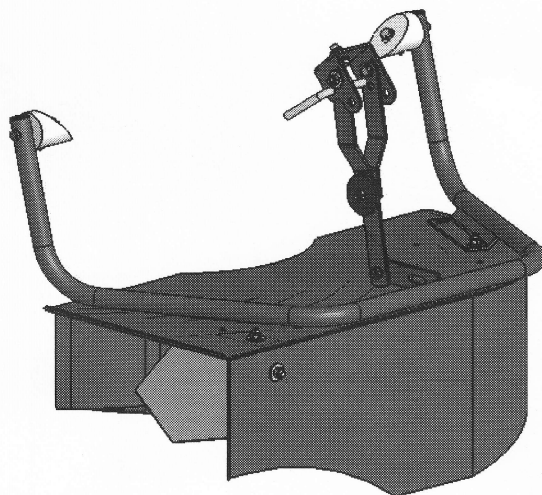


**725-100-007-901**

***Centraside SE druprand***



Centraside  
voor  
Centerliner SE met druprand

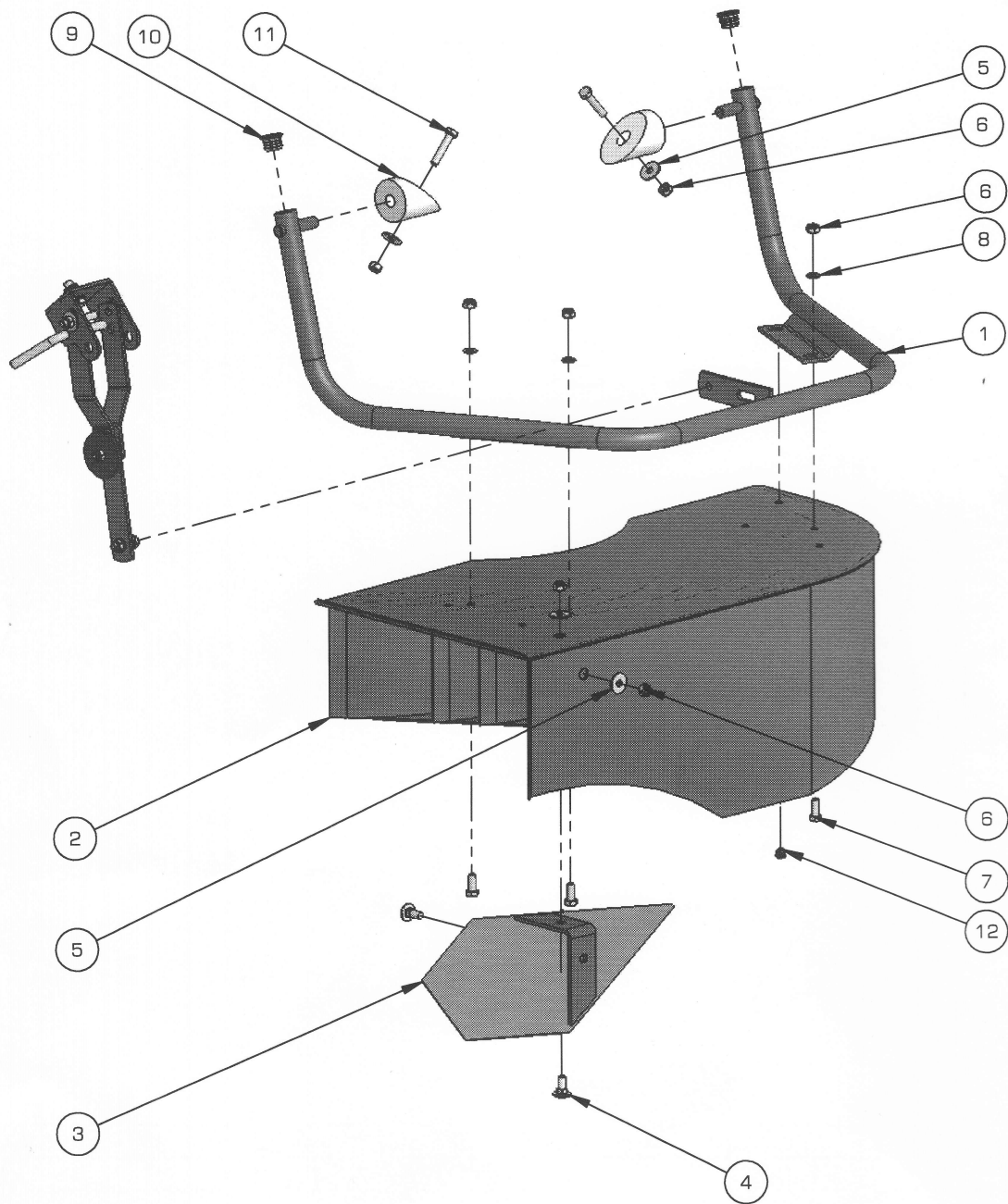


**PEETERS LANDBOUWMACHINES B.V.**

Munnikenheiweg 47 · 4879 NE Etten-Leur · The Netherlands  
T: +31 (0)76 504 66 66 · F: +31 (0)76 504 66 99  
E: [info@tulipindustries.com](mailto:info@tulipindustries.com) · W: [www.tulipindustries.com](http://www.tulipindustries.com)

# 725-100-007-901

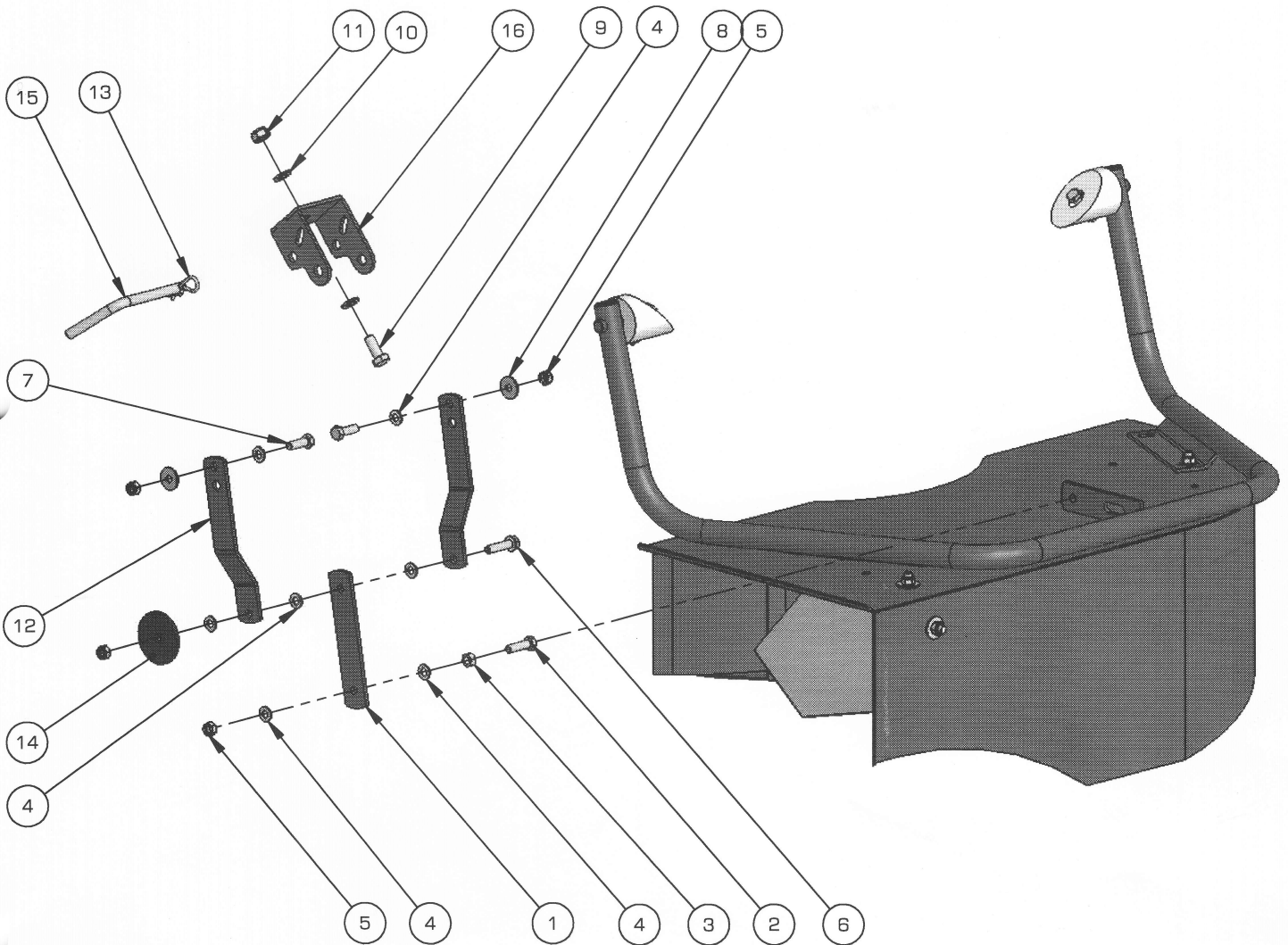
## Centraside SE druprand



NO.	QTY.	PART NUMBER	SW-Title
1	1	2-3227-0810-0	Scharnierbeugel kantstrooikap
2	1	2-3226-1370-0	Kantstrooikap SE
3	1	2-3226-1360-0	Ketsplaat
4	2	9.1058.0032.2	Slotschr.M 8x 20 DIN603-RVS
5	4	9.1048.0052.4	Sluitring A 8,4 DIN 9021-RVSA2
6	7	9.1030.0020.4	rvs Moer M 8 DIN985-A2-2metalf.n
7	3	961-002-080	RVS tapbout M8X20 DIN 933 A2
8	3	9.1048.0050.2	RVS sluitring M8 DIN 125 A2
9	2	9-1108-0082-3_1	GPN 320-21138 KAPSTO
10	2	2-3227-0827-0	Scharnierblok nylon c'side
11	2	9.1113.0282.1	rvs bout M8X40 DIN 931
12	1	9.1108.0106.6	Paddestoelbuffer Ø9mm S2

# 725-100-007-901

## Centraside SE druprand



NO.	QTY.	PART NUMBER	SW-Title
1	1	725-100-007-003	Strip recht c'side SE druprand
2	1	961-002-082	RVS tapbout M8X30 DIN 933 A2
3	1	961-040-017	RVS zeskantmoer M8 DIN 934 A2
4	8	9.1048.0072.3	sluitring M8 DIN 125 nylon
5	4	9.1030.0020.4	rvs Moer M 8 DIN985-A2-2metalf.n
6	1	961-002-083	RVS tapbout M8X35 DIN 933 A2
7	2	9.1113.0167.5	RVS tapbout M8X25 DIN 933 A2
8	2	9.1048.0052.4	Sluitring A 8,4 DIN 9021-RVSA2
9	1	9.1113.0170.1	M10 X 25 DIN 933 - A2
10	2	9.1048.0051.3	Sluitring 10,5 DIN 125 A2
11	1	9.1030.0022.6	moer M10 DIN 985 - A2
12	2	725-100-007-005	Strip c'side SE druprand
13	1	960-030-125	Borgveer ø3mm
14	1	2-3226-1242-0	Rubber schijf ø55mm
15	1	2-3226-1243-0	Vergrendelpen RVS ø10mm
16	1	725-100-007-501	Ophangbeugel SE druprand