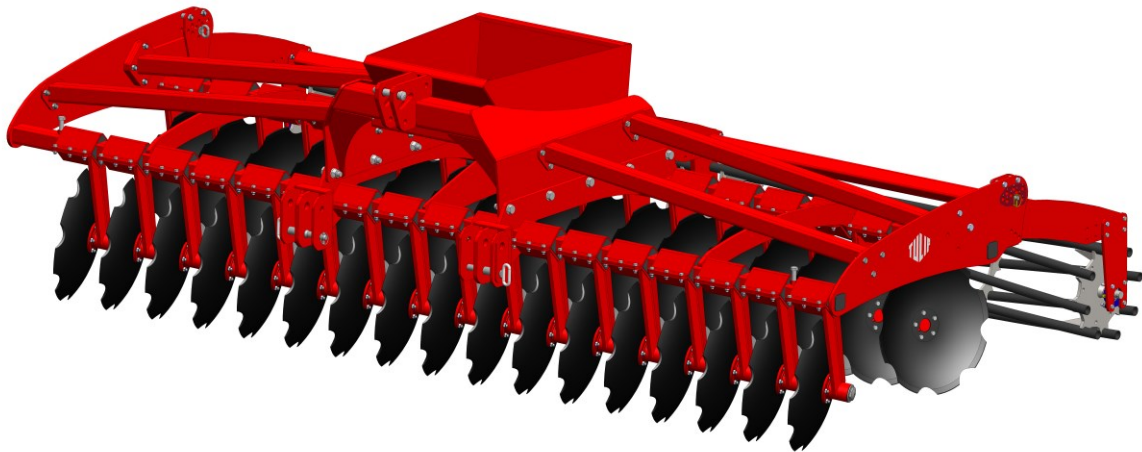


ONDERDELENLIJST
PARTS LIST
LISTE DE PIÈCES DE RECHANGE
ERSATZTEILLISTE

MULTIDISC 450 XXL

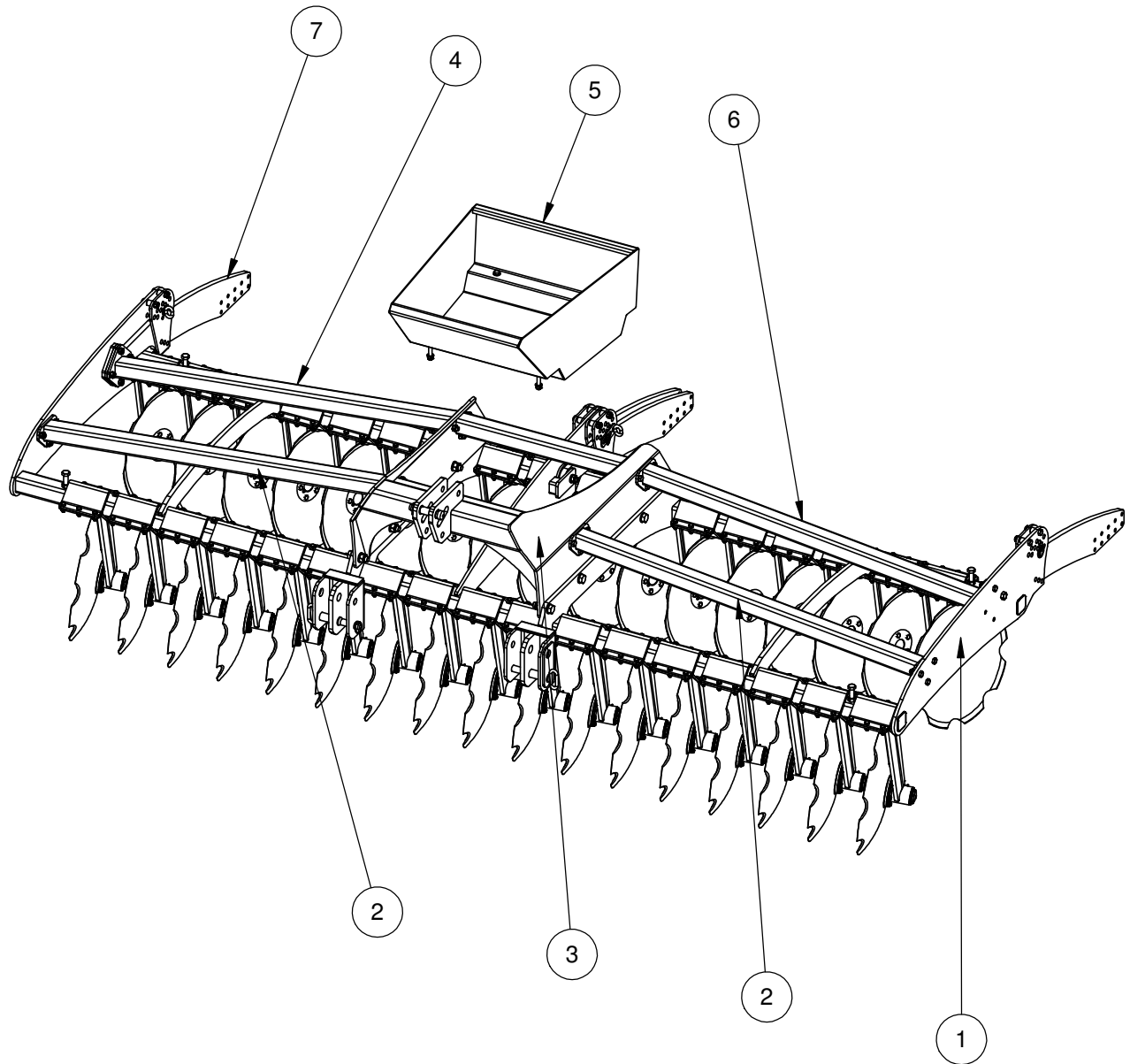


Article No.:

779-450-000-900



Beschrijving (NL): Multidisc 450 XXL
 Description (GB): Multidisc 450 XXL
 Beschreibung (D):
 Description (F):
 Opis (PL):

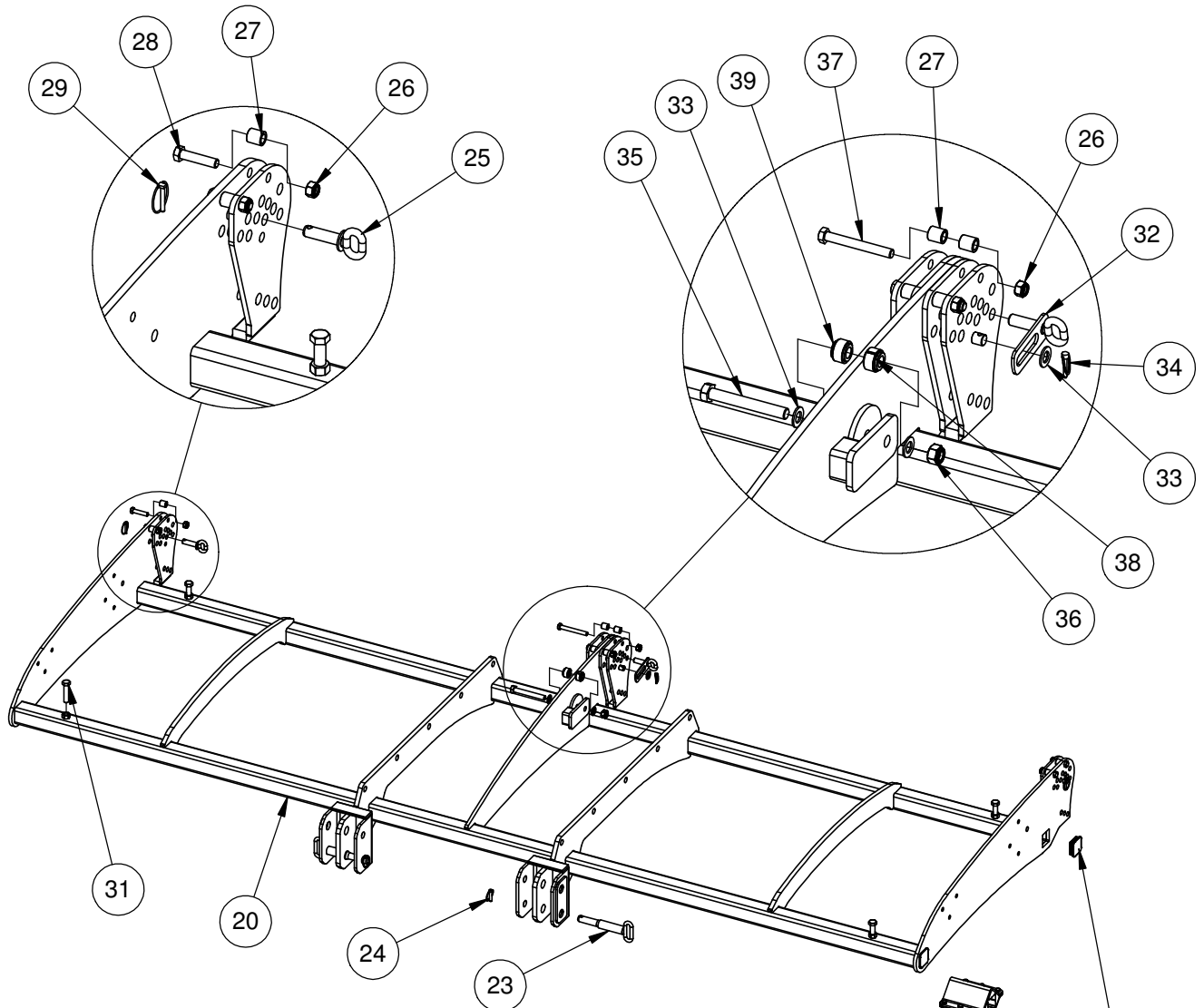


ITEM NO.	PART NUMBER	QTY.	Beschrijving (NL)	Description (GB)
1	779-450-001-902	1	Frame 450 XXL	Frame 450 XXL
2	779-450-003-901	2	schoren (voor)	Support (front)
3	779-450-002-902	1	Bok XXL	Headstock XXL
4	779-450-003-900	1	Schoor (Rechts achter)	Support (Right)
5	779-450-007-900	1	Ballastbak	
6	779-450-003-902	1	Schoor (Links achter)	Support (Left)
7	747-300-001-063	4	Hefarm	Roller arm

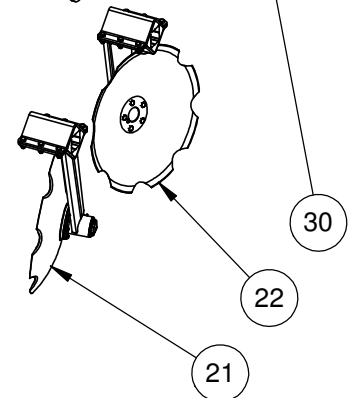
Article No.:

779-450-001-902

Beschrijving (NL): Frame 450 XXL
 Description (GB): Frame 450 XXL
 Beschreibung (D):
 Description (F):
 Opis (PL):



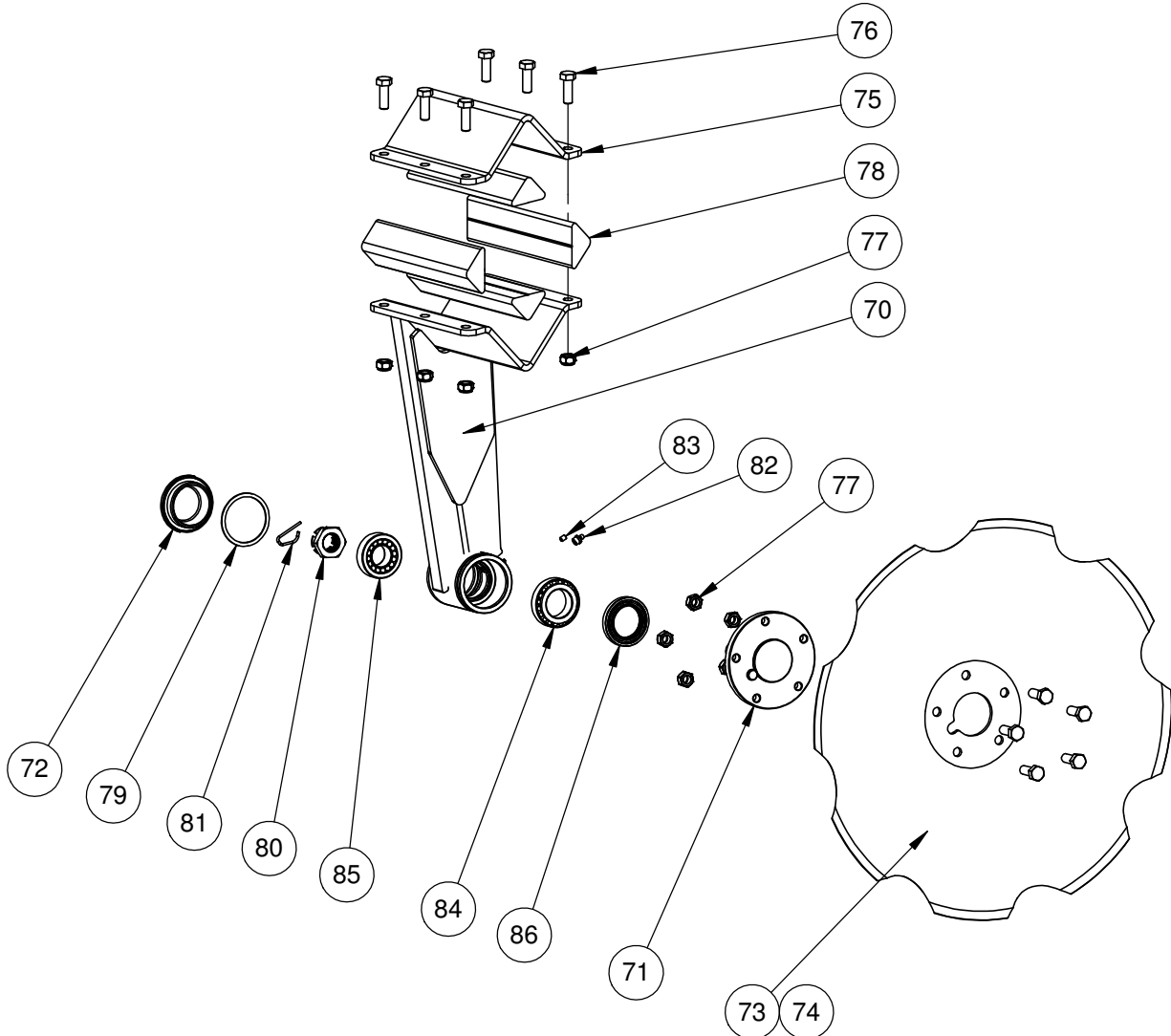
ITEM NO.	PART NUMBER	QTY.	Beschrijving (NL)	Description (GB)
20	779-450-001-502	1	Frame 450 XXL	Frame 450 XXL
21	745-300-003-924	17	Element XXL (Voor)	Element XXL (Front)
22	745-300-003-923	17	Element XXL (achter)	Element XXL (back)
23	745-300-001-534	2	Pen Cat.2 en Cat.3	Pin Cat.2 en Cat.3
24	9.1123.0002.5	2	Borgclip Ø11mm	Clip Ø11mm
25	790-300-003-501	2	Verstel Pen Ø20	Adjusting Pin Ø20
26	961-041-012	6	Gl.verz.nylocmoer M16 DIN 985 8.8	Nut M16 DIN 985 8.8
27	790-300-003-003	8	Bus Ø25/Ø17 - L = 30mm	Bush Ø25/Ø17 - L = 30mm
28	961-001-075	4	Bout M16X70 DIN 931 8.8	Bolt M16X70 DIN 931 8.8
29	960-030-130	2	Borgclip Ø7 L50	linch pin Ø7 L50
30	760-010-005	4	Stop rubber 70x70x2-4.5	Rubber Cap 70x70x2-4.5
31	961-002-130	4	Bout M20X30 DIN 933 8.8	Bolt M20X30 DIN 933 8.8
32	747-300-001-554	2	Verstel pen Ø20 (midden)	Adjusting Pin Ø20 (middle)
33	961-020-013	4	Ring M20 DIN 125A	Washer M20 DIN 125A
34	9.1123.0003.6	2	Borgpen Ø6mm	Clip Ø6mm
35	961-001-039	1	Gl.verz.stalen bout M20X150 DIN 931 8.8	Bolt M20X150 DIN 931 8.8
36	961-041-015	1	Gl.verz.nylocmoer M20 DIN 985 8.8	Nut M20 DIN 985 8.8
37	961-001-027	2	Gl.verz.stalen bout M16X130 DIN 931 8.8	Bolt M16X130 DIN 931 8.8
38	957-010-172	2	Spanbus d32xD40x20 DIN1498	Hard steel bush d32xD40x20 DIN1498
39	747-300-001-065	2	Vulbus Ø32 x Ø21 x 23 (St.52)	Bush Ø32 x Ø21 x 23 (St.52)



Article No.:

745-300-003-923

Beschrijving (NL): Element XXL (achter)
 Description (GB): Element XXL (back)
 Beschreibung (D):
 Description (F):
 Opis (PL):

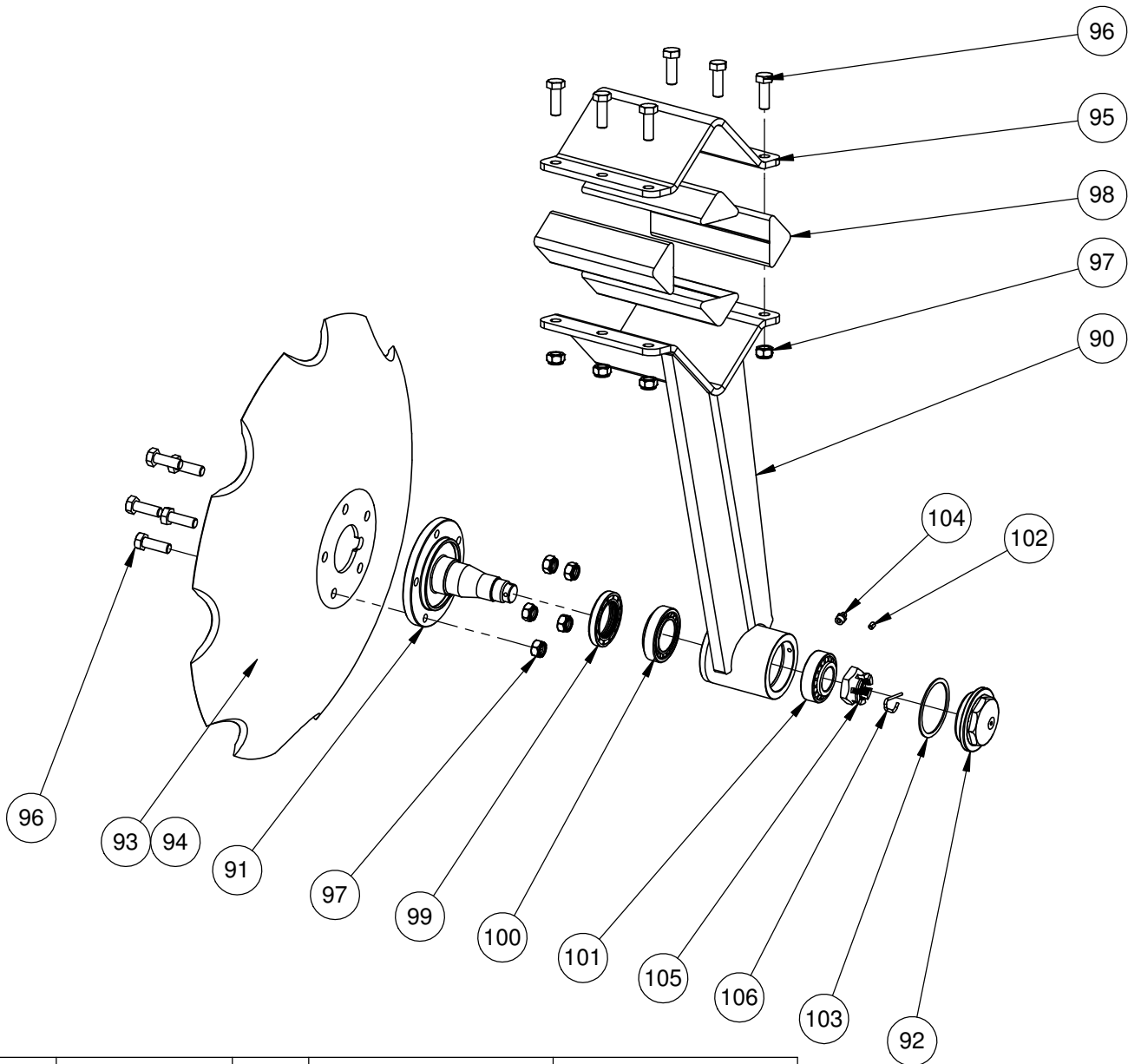


ITEM NO.	PART NUMBER	QTY.	Beschrijving (NL)	Description (GB)
70	745-300-003-513	1	Element XXL (lassamenstelling)	Element XXL (weldment)
71	951-901-057	1	asstomp	disc stubble
72	951-905-063	1	Deksel	Cover
73	760-020-033	1	Schijf Ø560 - 5mm	Disc Ø560 - 5mm
74	760-020-044	1	Schijf Ø610 - 6mm	Disc Ø610 - 6mm
75	745-300-003-022	1	Klemplaat	Clamping plate
76	961-002-097	11	Bout M12x35 DIN 933 10.9	Bolt M12x35 DIN 933 10.9
77	961-041-009	11	Gl.verz.nylocmoer M12 DIN 985 8.8	Nut M12 DIN 985 8.8
78	760-010-020	4	Rubberen driehoek Multidisc	Rubber triangle Multidisc
79	951-905-064	1	afdicht ring	sealing ring
80	951-901-059	1	Kroonmoer M27x1.5	Crown nut M27x1,5
81	960-030-214	1	Borgclip Ø 3mm	Circlip Ø3 mm
82	959-095-041	1	Vetnippel 1/8" gas -180 deg.	Grease nipple 1/8" gas -180 deg.
83	960-030-215	1	Borgbout DIN 914-M6X8-10.9	Locking bolt DIN 914-M6X8-10.9
84	957-010-155	1	kegel lager 32008JR (Koyo)	Taper roller bearing 32008JR (Koyo)
85	957-010-112	1	kegel lager 32206JR (Koyo)	Taper roller bearing 32206JR (Koyo)
86	959-097-093	1	Standaard keerring	standard seal

Article No.:

745-300-003-924

Beschrijving (NL): Element XXL (Voor)
 Description (GB): Element XXL (Front)
 Beschreibung (D):
 Description (F):
 Opis (PL):

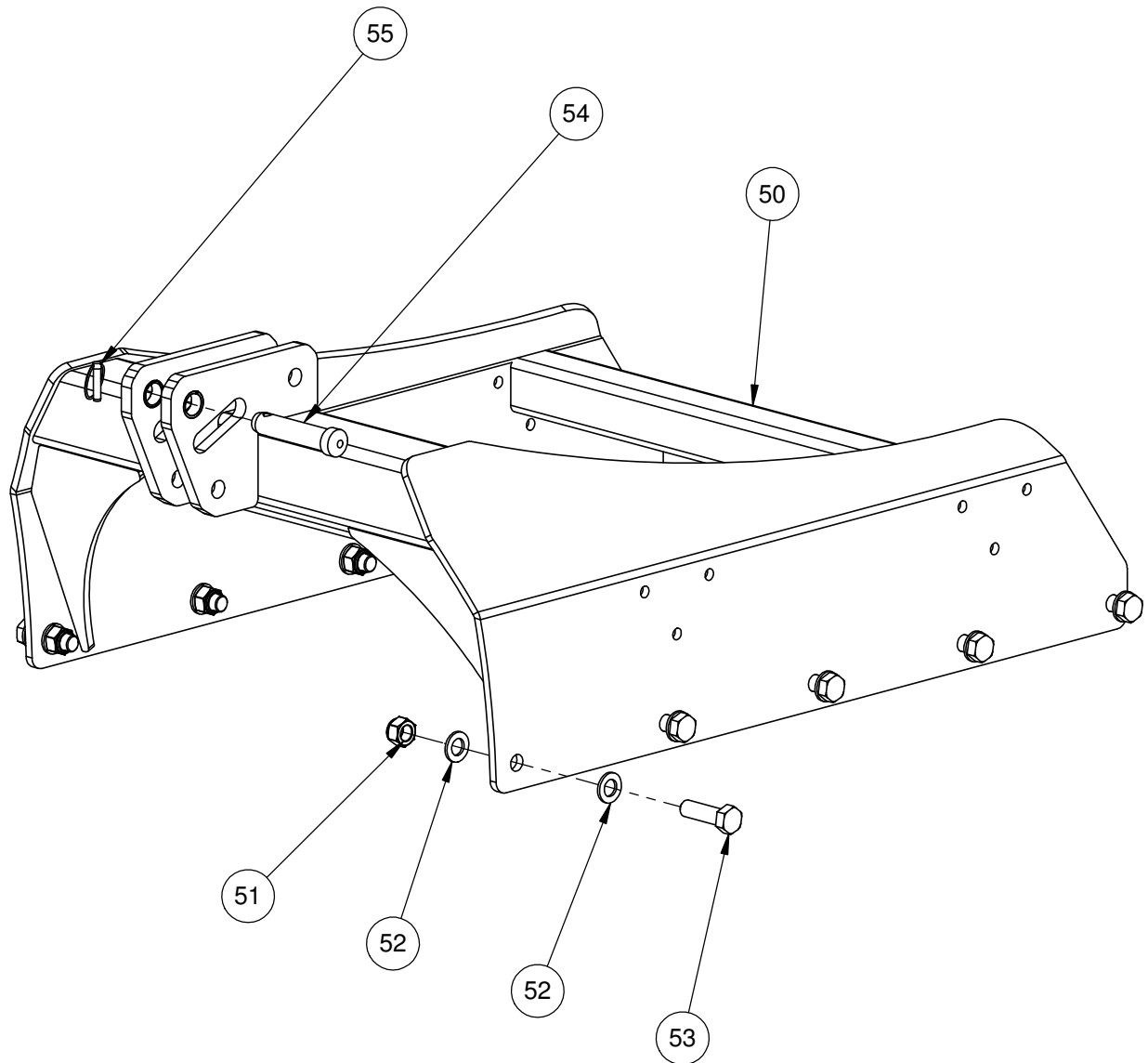


ITEM NO.	PART NUMBER	QTY.	Beschrijving (NL)	Description (GB)
90	745-300-003-512	1	Element XXL (voor)	Element XXL (front)
91	951-901-057	1	asstomp	disc stubble
92	951-905-063	1	Deksel	Cover
93	760-020-033	1	Schijf Ø560 - 5mm	Disc Ø560 - 5mm
94	760-020-044	1	Schijf Ø610 - 6mm	Disc Ø610 - 6mm
95	745-300-003-022	1	Klemplaat	Clamping plate
96	961-002-097	11	Bout M12x35 DIN 933 10.9	Bolt M12x35 DIN 933 10.9
97	961-041-009	11	Gl.verz.nylocmoer M12 DIN 985 8.8	Nut M12 DIN 985 8.8
98	760-010-020	4	Rubberen driehoek Multidisc	Rubber triangle Multidisc
99	959-097-093	1	Standaard keerring	standard seal
100	957-010-155	1	kegel lager 32008JR (Koyo)	Taper roller bearing 32008JR (Koyo)
101	957-010-112	1	kegel lager 32206JR (Koyo)	Taper roller bearing 32206JR (Koyo)
102	960-030-215	1	Borgbout DIN 914-M6X8-10.9	Locking bolt DIN 914-M6X8-10.9
103	951-905-064	1	afdicht ring	sealing ring
104	959-095-041	1	Vetnippel 1/8" gas -180 deg.	Grease nipple 1/8" gas -180 deg.
105	951-901-059	1	Kroonmoer M27x1,5	Crown nut M27x1,5
106	960-030-214	1	Borgclip Ø3mm	Circlip Ø3 mm

Article No.:

779-450-002-902

Beschrijving (NL): Bok XXL
 Description (GB): Headstock XXL
 Beschreibung (D):
 Description (F):
 Opis (PL):

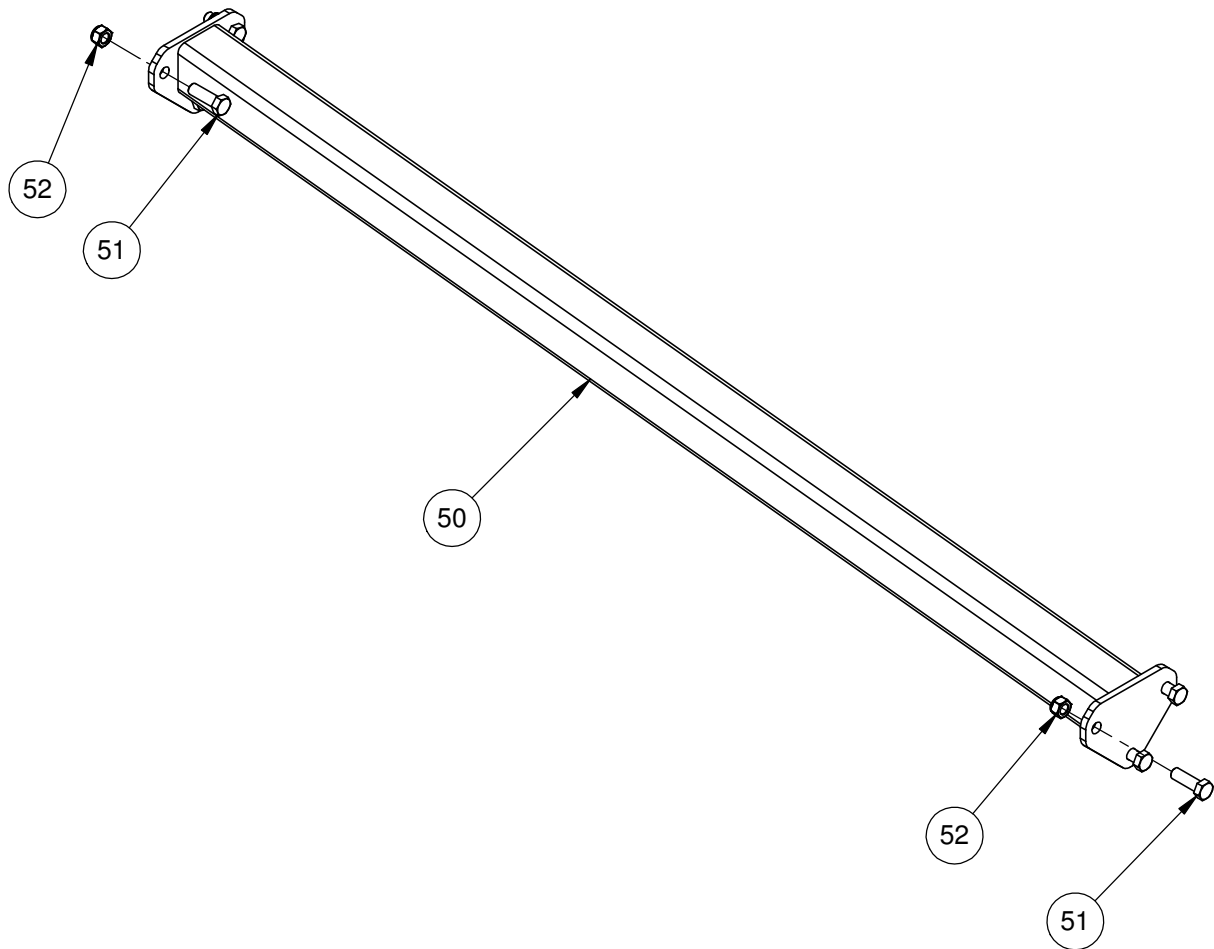


ITEM NO.	PART NUMBER	QTY.	Beschrijving (NL)	Description (GB)
50	779-450-002-502	1	Bok XXL	Headstock XXL
51	961-041-016	10	Nylocmoer M24 DIN 985 8.8	Nut M24 DIN 985 8.8
52	961-020-014	20	Sluiring M24 DIN 125A	Ring M24 DIN 125A
53	961-001-049	10	Bout M24x80 DIN 931 8.8	Bolt M24x80 DIN 931 8.8
54	9.1088.0008.4	1	Topstang pen Ø32 - L= 145mm	Ø32 - L= 145mm
55	9.1123.0002.5	1	Borgclip Ø11mm	Clip Ø11mm

Article No.:

779-450-003-901

Beschrijving (NL): schoren (voor)
 Description (GB): Support (front)
 Beschreibung (D):
 Description (F):
 Opis (PL):

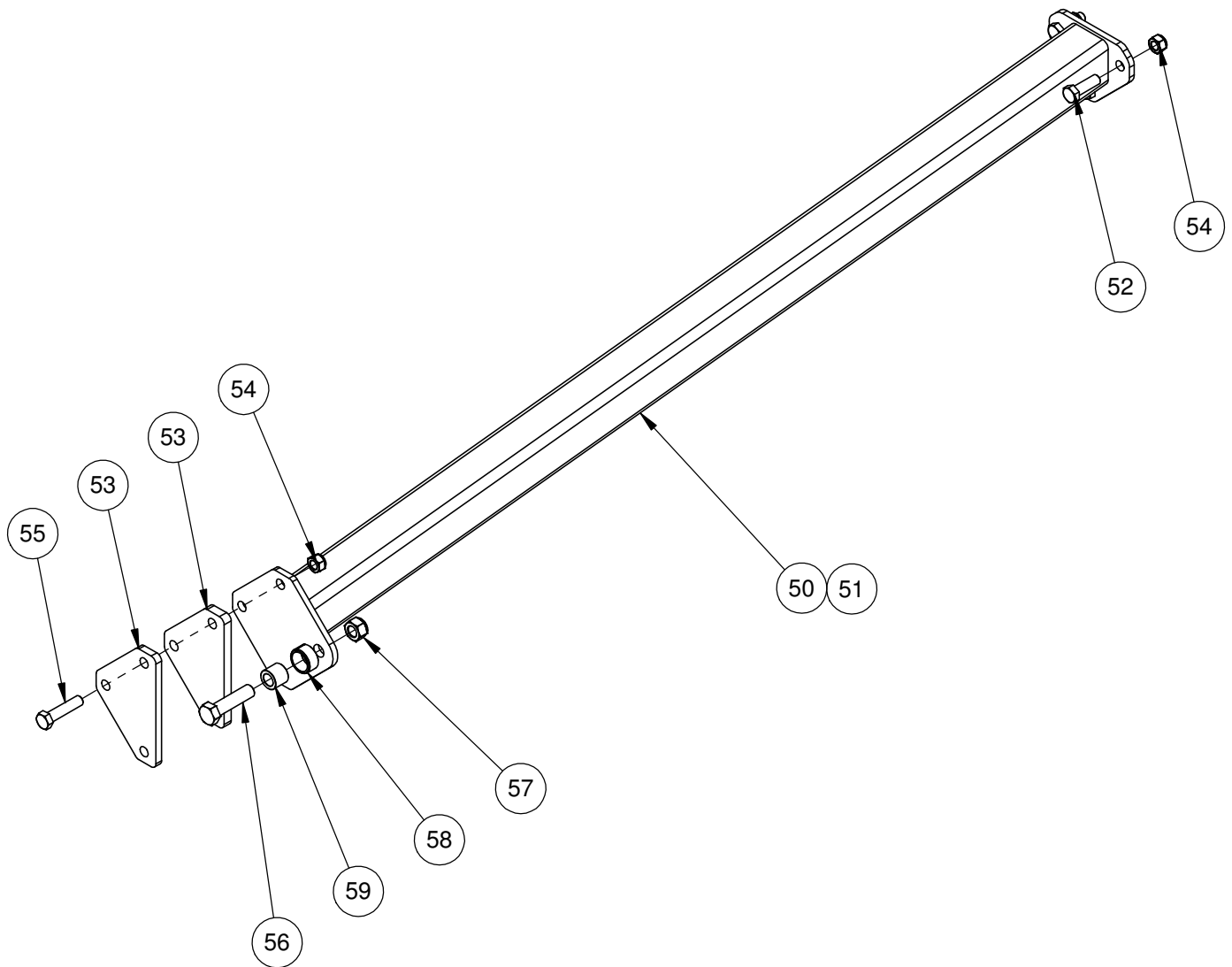


ITEM NO.	PART NUMBER	QTY.	Beschrijving (NL)	Description (GB)
50	779-450-003-501	1	Schoor 450 XXL (voor)	Support 450 XXL (front)
51	961-001-064	6	Gl.verz.stalen bout M16X50 DIN 931 8.8	Bolt M16X50 DIN 931 8.8
52	961-041-012	6	Gl.verz.nylocmoer M16 DIN 985 8.8	Nut M16 DIN 985 8.8

Article No.:

779-450-003-902

Beschrijving (NL): Schoor (Links achter)
 Description (GB): Support (Left)
 Beschreibung (D):
 Description (F):
 Opis (PL):

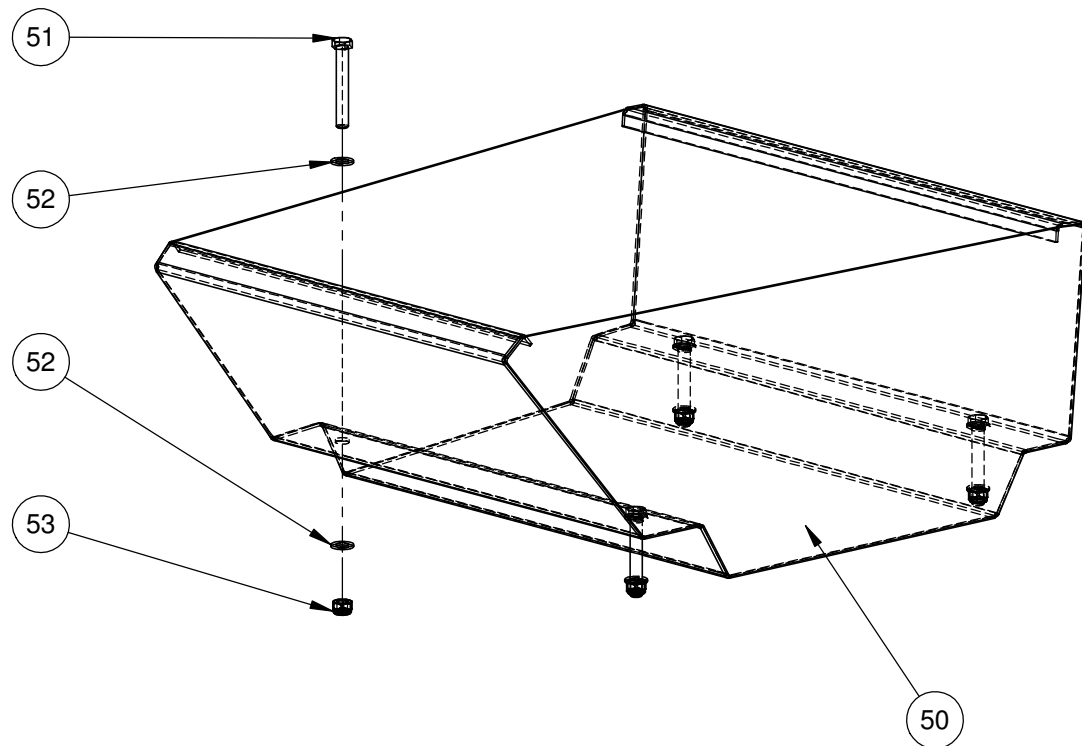


ITEM NO.	PART NUMBER	QTY.	Beschrijving (NL)	Description (GB)
50	779-450-003-503	1	Schoor 450 XXL (links achter)	Support 450XXL (left)
51	779-450-003-500 [X]	1	Schoor 450 XXL (rechts achter)	Support 450XXL (right)
52	961-001-064	3	Gl.verz.stalen bout M16X50 DIN 931 8.8	Bolt M16X50 DIN 931 8.8
53	747-300-001-066	2	Vulplaat 12 en 15mm	Filling plate 12 en 15mm
54	961-041-012	4	Gl.verz.nylocmoer M16 DIN 985 8.8	Nut M16 DIN 985 8.8
55	961-001-075	1	Bout M16X70 DIN 931 8.8	Bolt M16X70 DIN 931 8.8
56	961-001-045	1	Gl.verz.stalen bout M20X80 DIN 931 8.8	Bolt M20X80 DIN 931 8.8
57	961-041-015	1	Gl.verz.nylocmoer M20 DIN 985 8.8	Nut M20 DIN 985 8.8
58	957-010-172	1	Spanbus d32xD40x20 DIN1498	Hard steel bush d32xD40x20 DIN1498
59	747-300-001-065	1	Vulbus Ø32 x Ø21 x 23 (St.52)	Bush Ø32 x Ø21 x 23 (St.52)

Article No.:

779-450-007-900

Beschrijving (NL): Ballastbak
 Description (GB): Ballast container
 Beschreibung (D):
 Description (F):
 Opis (PL):



ITEM NO.	PART NUMBER	QTY.	Beschrijving (NL)	Description (GB)
50	779-450-007-500	1	Ballastbak	Ballast container
51	961-001-025	4	Bout M16x110 DIN 931 8.8	Bolt M16x110 DIN 931 8.8
52	961-020-011	8	Gl.verz.sluitring M16 DIN 125A	Gl.verz.sluitring M16 DIN 125A
53	961-041-012	4	Gl.verz.nylocmoer M16 DIN 985 8.8	Nut M16 DIN 985 8.8