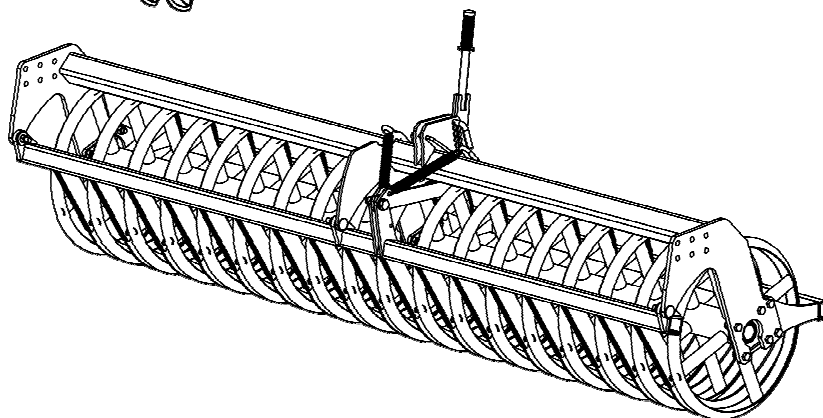
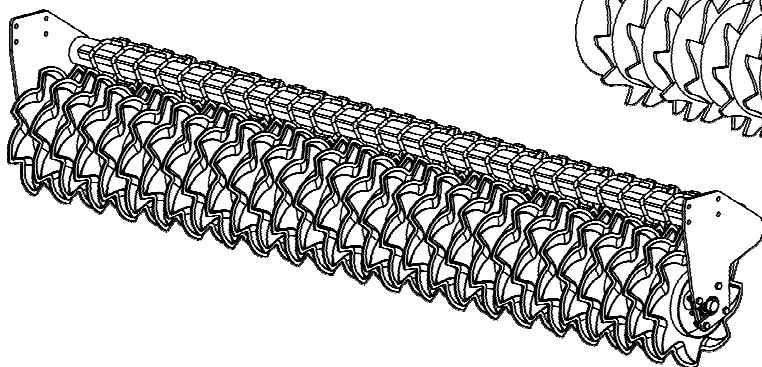
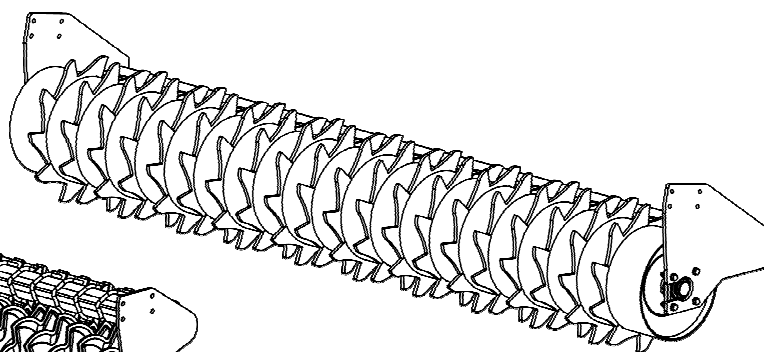
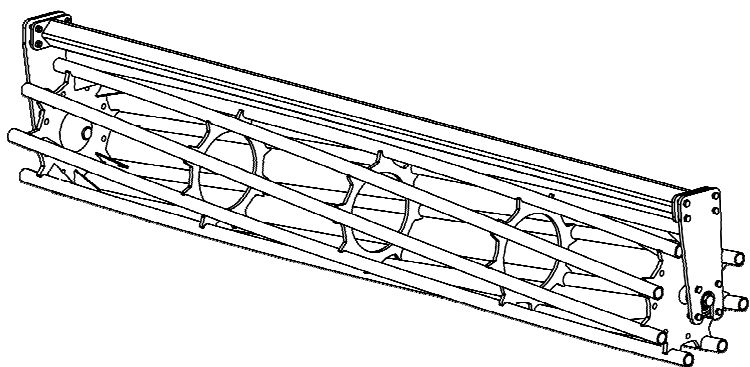


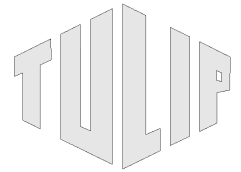
ONDERDELENLIJST
PARTS LIST
LISTE DE PIÈCES DE RECHANGE
ERSATZTEILLISTE

**CRUMBLER ROLLER
PACKER ROLLER
STARPACKER ROLLER
RING ROLLER**

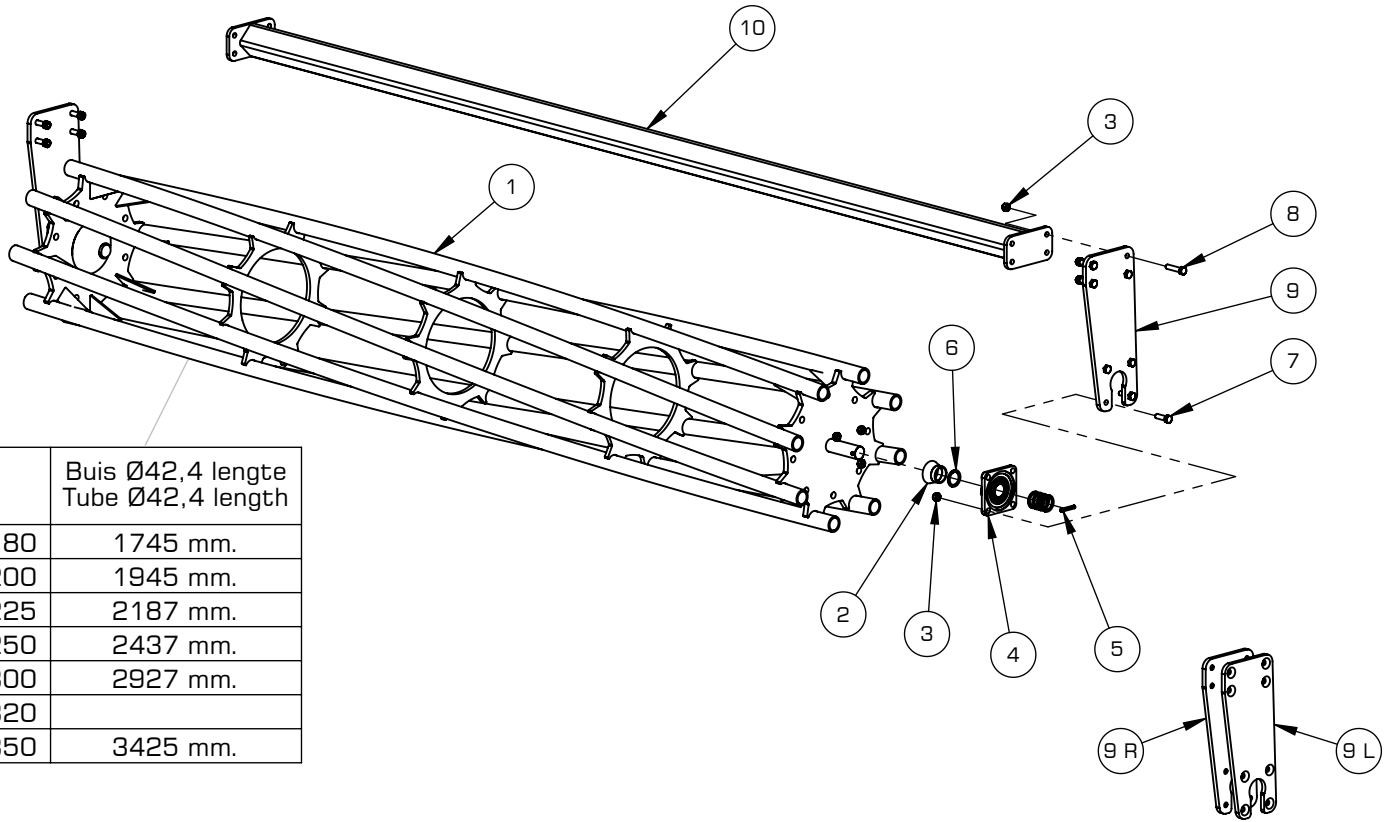


Open rol
Crumbler roller
Rouleau barres
Stabwalz

Ø440



Only for Multidisc

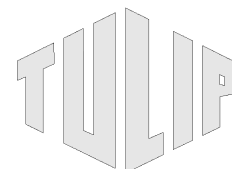


	Buis Ø42,4 lengte Tube Ø42,4 length
180	1745 mm.
200	1945 mm.
225	2187 mm.
250	2437 mm.
300	2927 mm.
320	
350	3425 mm.

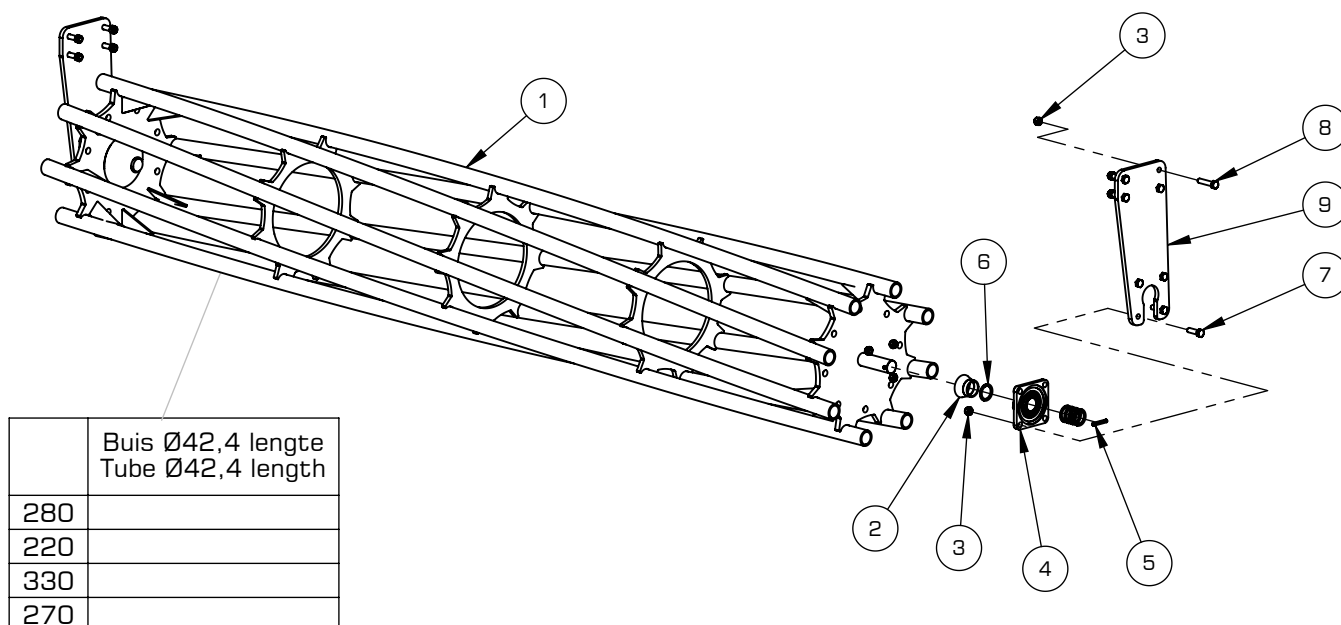
Ref.	Onderdeelnr. Part number Reference Teilnummer	Aantal Quantity Quantite Anzahl												
		180	200	225	250	300	320	350	400H	450H	500H	600H		
1	799-180-002-500	1	-	-	-	-	-	-	-	-	-	-		
	799-200-002-500	-	1	-	-	-	-	-	2	-	-	-		
	799-225-002-500	-	-	1	-	-	-	-	-	2	-	-		
	799-250-002-500	-	-	-	1	-	-	-	-	-	2	-		
	799-300-002-500	-	-	-	-	1	-	-	-	-	-	2		
	799-320-002-500	-	-	-	-	-	1	-	-	-	-	-		
	799-350-002-500	-	-	-	-	-	-	1	-	-	-	-		
2	1.1624.2460.0	2						4						
3	961-041-009	16						32						M12 DIN 985 8.8
4	957-010-001	2						4						UCF207 TR (Ø35)
5	9.1070.0023.2	2						4						Ø8 x 50 DIN 1481
6	9.1052.0006.3	~						~						35x45x2,5 DIN 988
7	961-002-021	8						8						M12x40 DIN 933 8.8
	961-005-014	-						8						M12x40 DIN 7991 10.9
8	961-001-013	8						8						M12x55 DIN 931 8.8
	961-005-015	-						8						M12x60 DIN 7991 10.9
9	799-300-200-003	2						2						Th = 12mm
9 L	799-300-200-003 L	-						1						Th = 12mm
9 R	799-300-200-003 R	-						1						Th = 12mm
10	799-180-200-500	1	-	-	-	-	-	-	-	-	-	-		
	799-200-200-500	-	1	-	-	-	-	-	2	-	-	-		
	799-225-200-500	-	-	1	-	-	-	-	-	2	-	-		
	799-250-200-500	-	-	-	1	-	-	-	-	-	2	-		
	799-300-200-500	-	-	-	-	1	-	-	-	-	-	2		
	799-320-200-500	-	-	-	-	-	1	-	-	-	-	-		
	799-350-200-500	-	-	-	-	-	-	1	-	-	-	-		

Open rol
Crumbler roller
Rouleau barres
Stabwalz

Ø440



Roterra 500-55 / 600-55



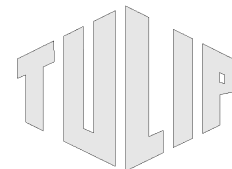
Buis Ø42,4 lengte
Tube Ø42,4 length

280	
220	
330	
270	

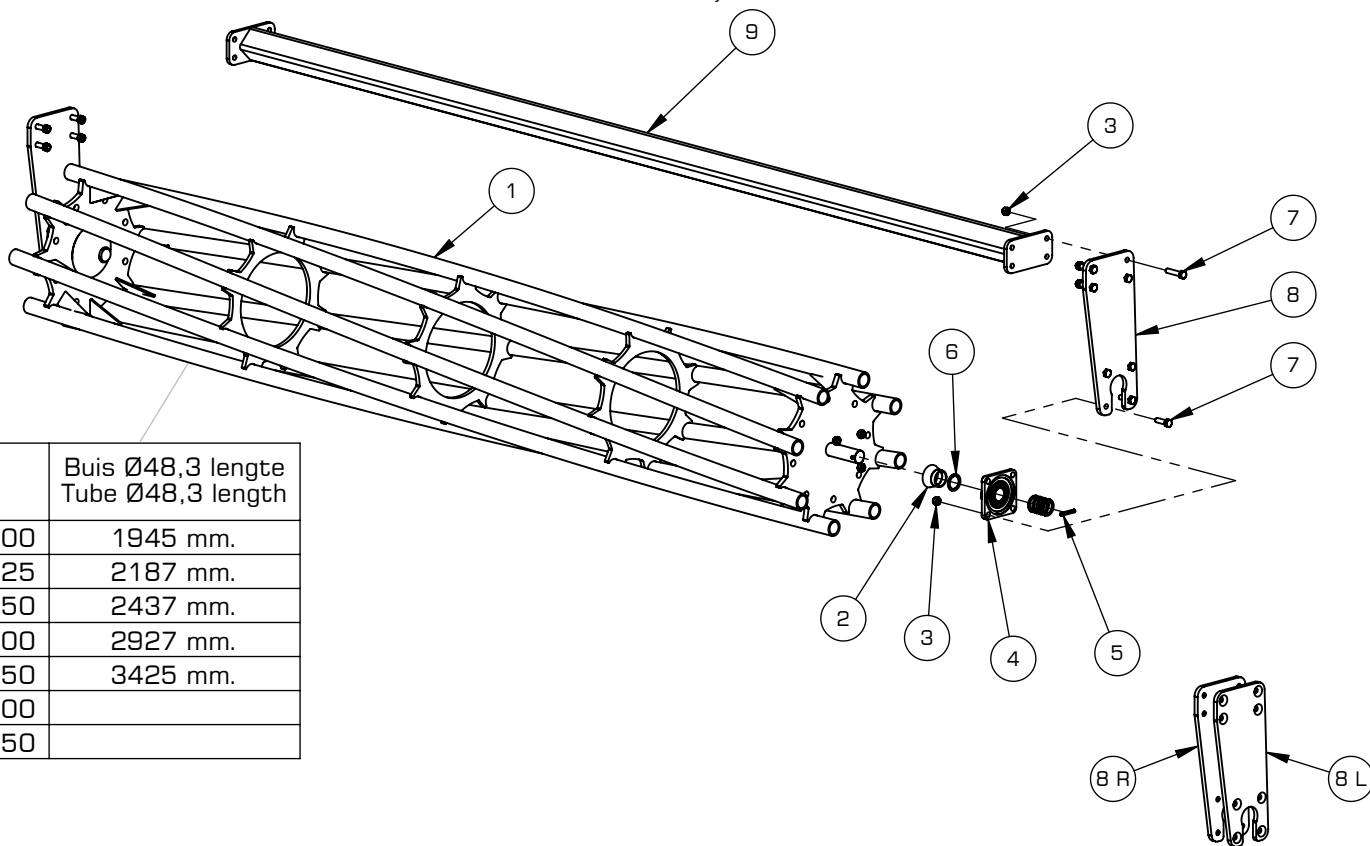
Ref.	Onderdeelnr. Part number Reference Teilnummer	Aantal Quantity Quantite Anzahl				
		500-55		600-55		
		280	220	330	270	
1	799-280-002-500	1	-	-	-	
	799-220-002-500	-	1	-	-	
	799-330-002-500	-	-	1	-	
	799-270-002-500	-	-	-	1	
2	1.1624.2460.0	2				
3	961-041-009	16				M12 DIN 985 8.8
4	957-010-001	2				UCF207 TR (Ø35)
5	9.1070.0023.2	2				Ø8 x 50 DIN 1481
6	9.1052.0006.3	~				35x45x2,5 DIN 988
7	961-002-021	8				M12x40 DIN 933 8.8
8	961-001-013	8				M12x55 DIN 931 8.8
9	799-300-200-003	2				Th = 12mm

Open rol
Crumbler roller
Rouleau barres
Stabwalz

Ø520



Only for Multidisc

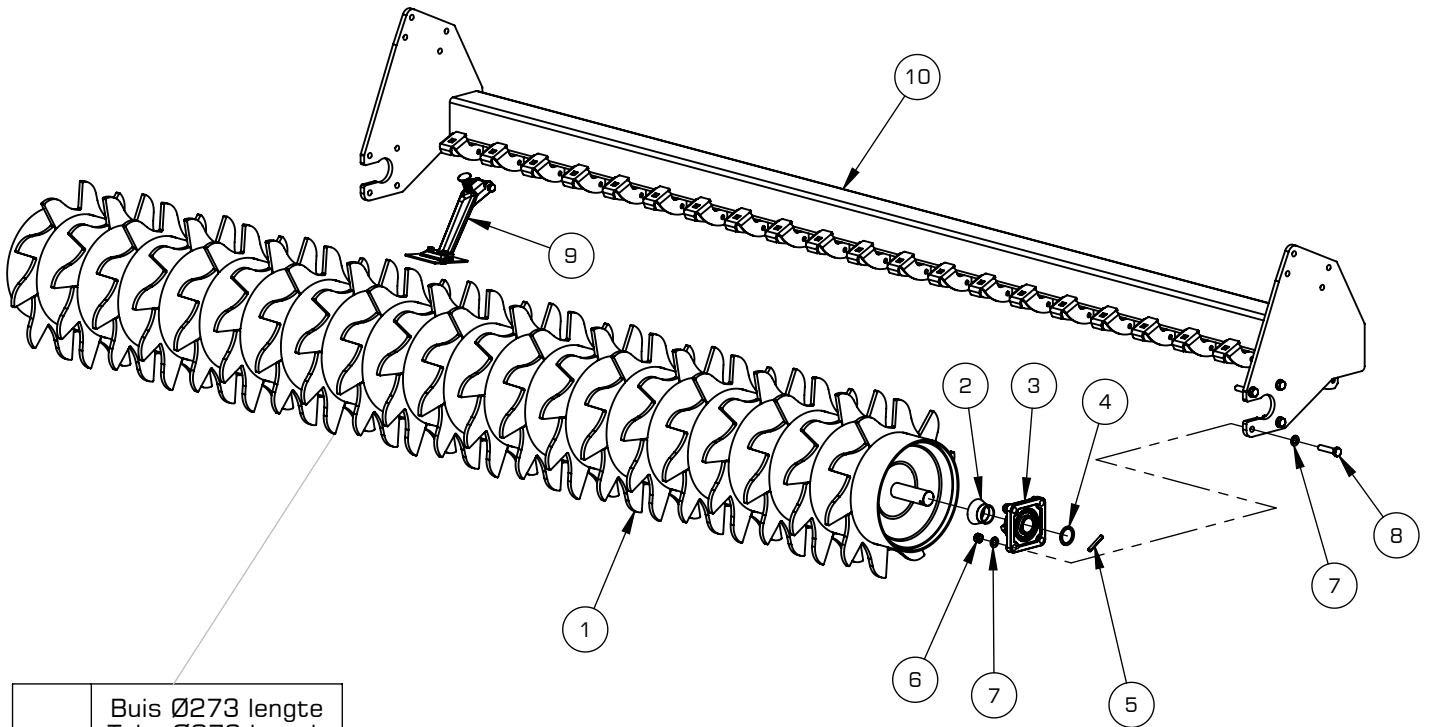
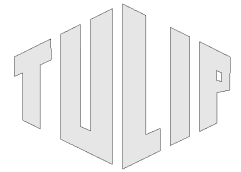


	Buis Ø48,3 lengte Tube Ø48,3 length
200	1945 mm.
225	2187 mm.
250	2437 mm.
300	2927 mm.
350	3425 mm.
400	
450	

Ref.	Onderdeelnr. Part number Reference Teilnummer	Aantal Quantity Quantite Anzahl											
		200	225	250	300	350	400	450	400H	450H	500H	600H	
1	799-200-003-500	1	-	-	-	-	-	-	2	-	-	-	
	799-225-003-500	-	1	-	-	-	-	-	-	2	-	-	
	799-250-003-500	-	-	1	-	-	-	-	-	-	2	-	
	799-300-003-500	-	-	-	1	-	-	-	-	-	-	2	
	799-350-003-500	-	-	-	-	1	-	-	-	-	-	-	
	799-400-003-500	-	-	-	-	-	1	-	-	-	-	-	
	799-450-003-500	-	-	-	-	-	-	1	-	-	-	-	
2	1.1623.0637.0				2					4			
3	961-041-009				16					32			M12 DIN 985 8.8
4	957-010-002				2					4			UCF208 TR (Ø40)
5	9.1070.0024.3				2					4			Ø8 x 60 DIN 1481
6	9.1052.0020.3				~					~			40x50x2,5 DIN 988
7	961-001-013				16					16			M12x55 DIN 931 8.8
	961-005-015				-					16			M12x60 DIN 7991 10.9
8	799-300-200-004				2					2			Th = 18mm
8 L	799-300-200-004 L				-					1			Th = 18mm
8 R	799-300-200-004 R				-					1			Th = 18mm
9	799-200-200-500	1	-	-	-	-	-	-	2	-	-	-	
	799-225-200-500	-	1	-	-	-	-	-	-	2	-	-	
	799-250-200-500	-	-	1	-	-	-	-	-	-	2	-	
	799-300-200-500	-	-	-	1	-	-	-	-	-	-	2	
	799-350-200-500	-	-	-	-	1	-	-	-	-	-	-	
	799-400-200-500	-	-	-	-	-	1	-	-	-	-	-	
	799-450-200-500	-	-	-	-	-	-	1	-	-	-	-	

Pakkerrol
Packer roller
Rouleau packer
Zahnpackerwalze

Ø430



	Buis Ø273 lengte Tube Ø273 length
250	2440 mm.
300	2930 mm.

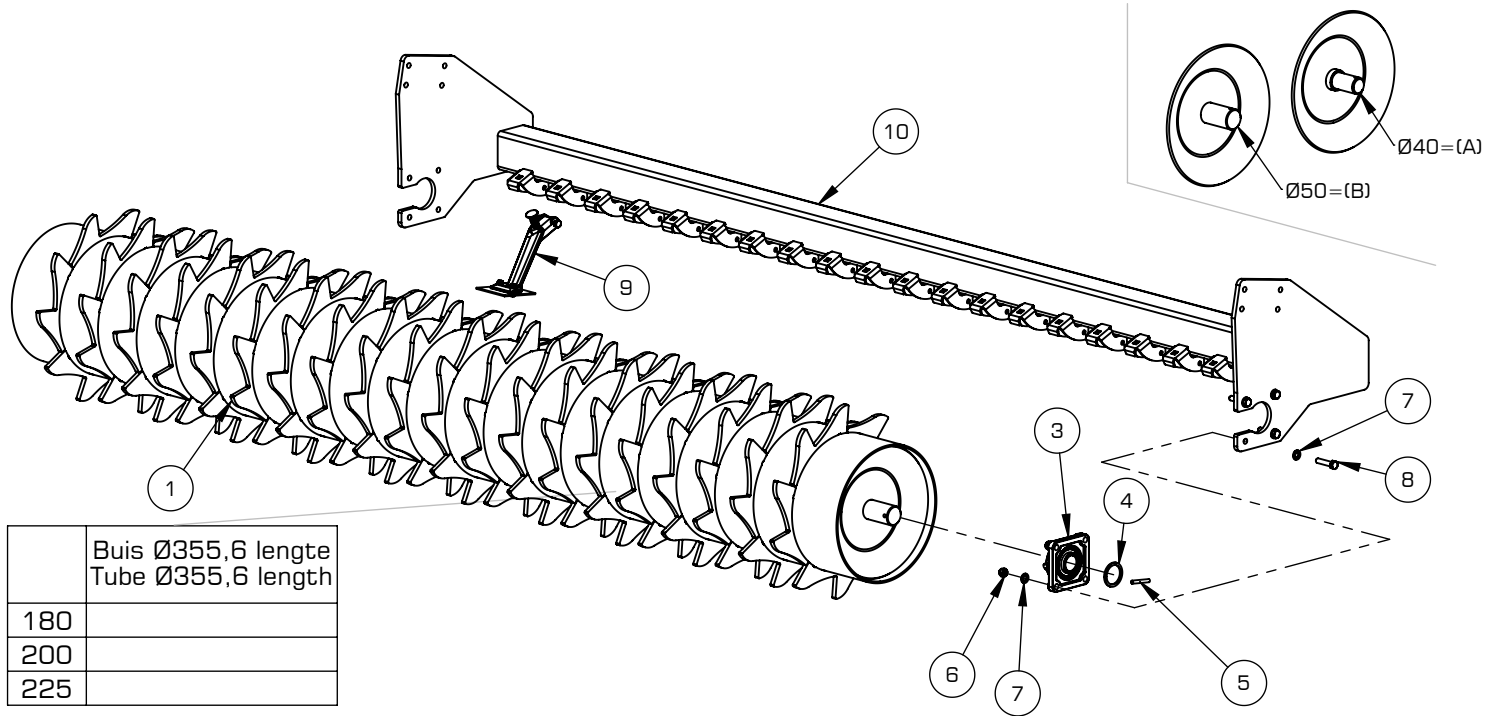
Ref.	Onderdeelnr. Part number Reference Teilnummer	Aantal Quantity Quantite Anzahl		
		250	300	
1	799-250-004-500 799-300-004-500	1 -	- 1	
2	1.1624.2460.0	2		
3	957-010-001	2		UCF207 TR (Ø35)
4	9.1052.0006.3	~		35 x 45 x 2,5 DIN 988
5	9.1070.0023.2	2		Ø8 x 50 DIN 1481
6	961-041-009	8		M12 DIN 985 8.8
7	961-020-009	16		M12 DIN 125A
8	961-001-013	8		M12x55 DIN 931 8.8
9	700-300-006-905	18	22	Pag. 11
10	799-250-100-500 799-300-100-500	1 -	- 1	

Pakkerrol
Packer roller
Rouleau packer
Zahnpackerwalze

Ø500

TULIP

1,8m - 2,0m - 2,25m



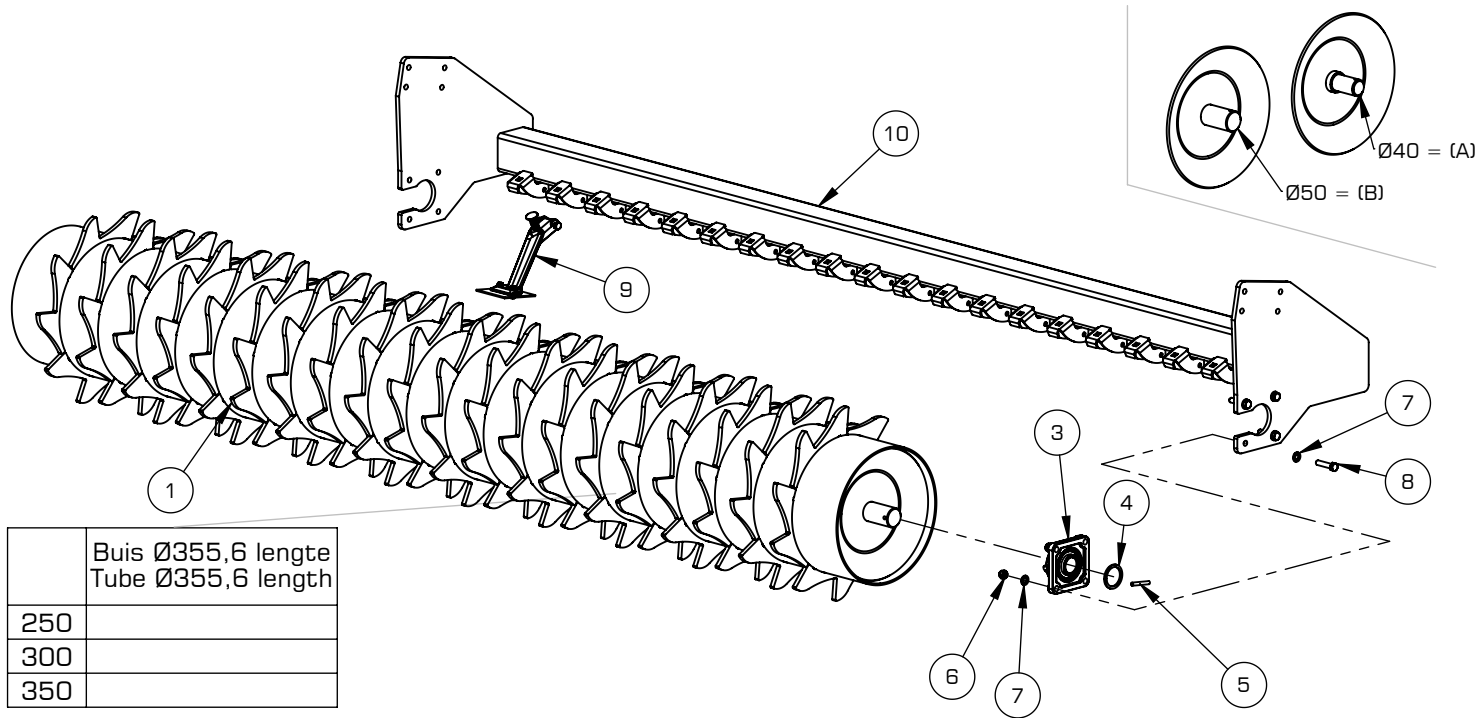
Ref.	Onderdeelnr. Part number Reference Teilnummer	Aantal Quantity Quantite Anzahl					
		180	200	225	400H	450H	
1	799-180-005-500	(1)	-	-	-	-	(A) = Ø40
	799-180-005-501	1	-	-	-	-	(B) = Ø50
	799-200-005-500	-	(1)	-	(2)	-	(A) = Ø40
	799-200-005-501	-	1	-	2	-	(B) = Ø50
	799-225-005-500	-	-	(1)	-	(2)	(A) = Ø40
	799-225-005-501	-	-	1	-	2	(B) = Ø50
2							
3	957-010-003		2			4	(B) = UCF210 TR (Ø50)
	957-010-002		(2)			(4)	(A) = UCF208 TR (Ø40)
4	9.1052.0005.2		~			~	(B) = 50 x 62 x 3
	9.1052.0001.5		(~)			(~)	(A) = 40 x 50 x 2,5
5	9.1070.0024.3		2			4	Ø8 x 60 DIN 1481
6	961-041-012		8			16	(B) = M16 DIN 985 8.8
	961-041-009		(8)			(16)	(A) = M12 DIN 985 8.8
7	961-020-011		16			32	(B) = M16 DIN 125A
	961-020-009		(16)			(32)	(A) = M12 DIN 125A
8	961-001-065		8			16	(B) = M16x60 Din 931 8.8
	961-001-013		(8)			(16)	(A) = M12x55 DIN 931 8.8
9	700-300-006-905	12	14	16	28	32	Page 11
10	799-180-101-500	(1)	-	-	-	-	(A) => UCF208 TR (Ø40)
	799-180-101-501	1	-	-	-	-	(B) => UCF210 TR (Ø50)
	799-200-101-500	-	(1)	-	(2)	-	(A) => UCF208 TR (Ø40)
	799-200-101-501	-	1	-	2	-	(B) => UCF210 TR (Ø50)
	799-225-101-500	-	-	(1)	-	(2)	(A) => UCF208 TR (Ø40)
	799-225-101-501	-	-	1	-	2	(B) => UCF210 TR (Ø50)

Pakkerrol
Packer roller
Rouleau packer
Zahnpackerwalze

Ø500

TULIP

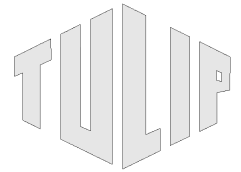
2,5m - 3,0m - 3,5m



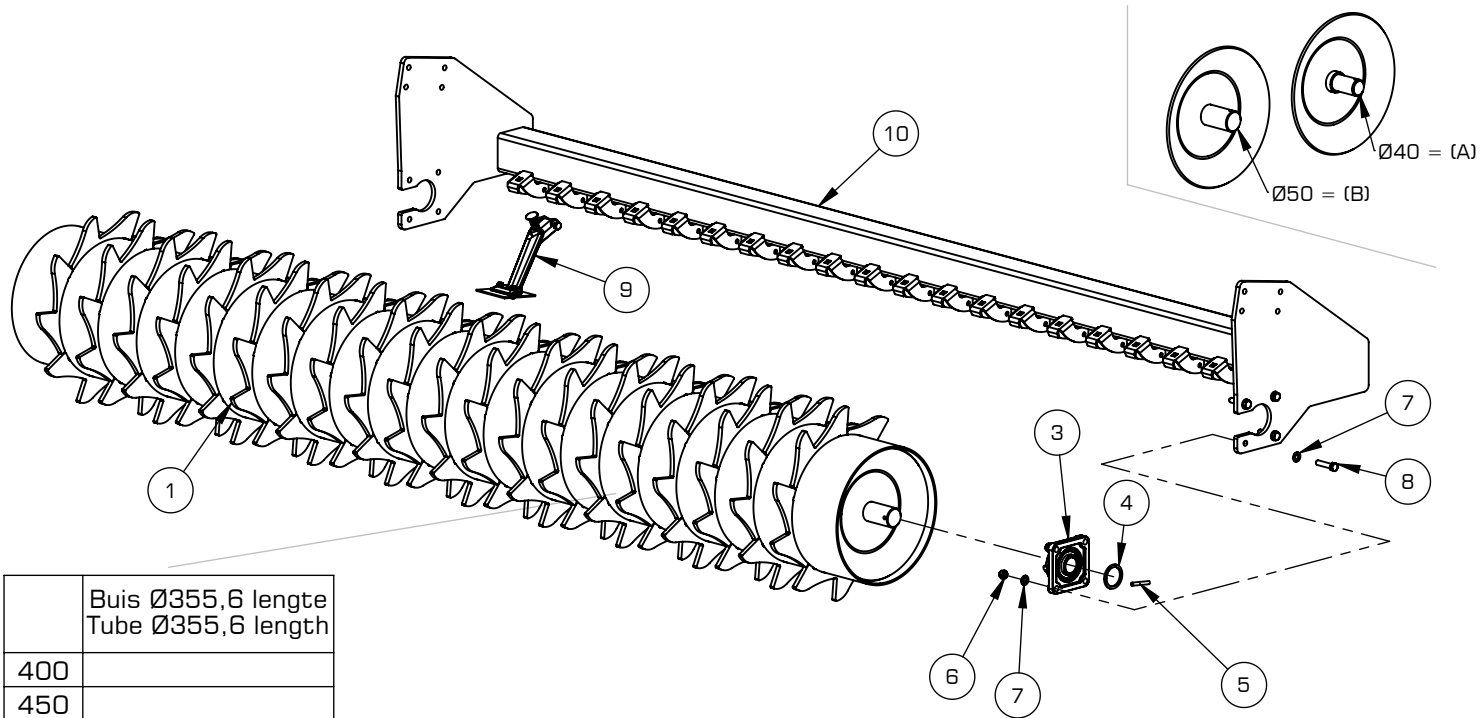
Ref.	Onderdeelnr. Part number Reference Teilnummer	Aantal Quantity Quantite Anzahl					
		250	300	350	500H	600H	
1	799-250-005-500	(1)	-	-	(2)	-	(A) = Ø40
	799-250-005-501	1	-	-	2	-	(B) = Ø50
	799-300-005-500	-	(1)	-	-	(2)	(A) = Ø40
	799-300-005-501	-	1	-	-	2	(B) = Ø50
	799-350-005-500	-	-	(1)	-	-	(A) = Ø40
	799-350-005-501	-	-	1	-	-	(B) = Ø50
2							
3	957-010-003		2			4	(B) = UCF210 TR (Ø50)
	957-010-002		(2)			(4)	(A) = UCF208 TR (Ø40)
4	9.1052.0005.2		~			~	(B) = 50 x 62 x 3
	9.1052.0001.5		(~)			(~)	(A) = 40 x 50 x 2,5
5	9.1070.0024.3		2			4	Ø8 x 60 DIN 1481
6	961-041-012		8			16	(B) = M16 DIN 985 8.8
	961-041-009		(8)			(16)	(A) = M12 DIN 985 8.8
7	961-020-011		16			32	(B) = M16 DIN 125A
	961-020-009		(16)			(32)	(A) = M12 DIN 125A
8	961-001-065		8			16	(B) = M16x60 Din 931 8.8
	961-001-013		(8)			(16)	(A) = M12x55 DIN 931 8.8
9	700-300-006-905	18	22	25	36	44	Pag. 11
10	799-250-101-500	(1)	-	-	(2)	-	(A) => UCF208 TR (Ø40)
	799-250-101-501	1	-	-	2	-	(B) => UCF210 TR (Ø50)
	799-300-101-500	-	(1)	-	-	(2)	(A) => UCF208 TR (Ø40)
	799-300-101-501	-	1	-	-	2	(B) => UCF210 TR (Ø50)
	799-350-101-500	-	-	(1)	-	-	(A) => UCF208 TR (Ø40)
	799-350-101-501	-	-	1	-	-	(B) => UCF210 TR (Ø50)

Pakkerrol
Packer roller
Rouleau packer
Zahnpackerwalze

Ø500



4,0m - 4,5m

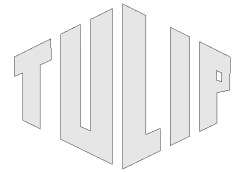


	Buis Ø355,6 lengte Tube Ø355,6 length
400	
450	

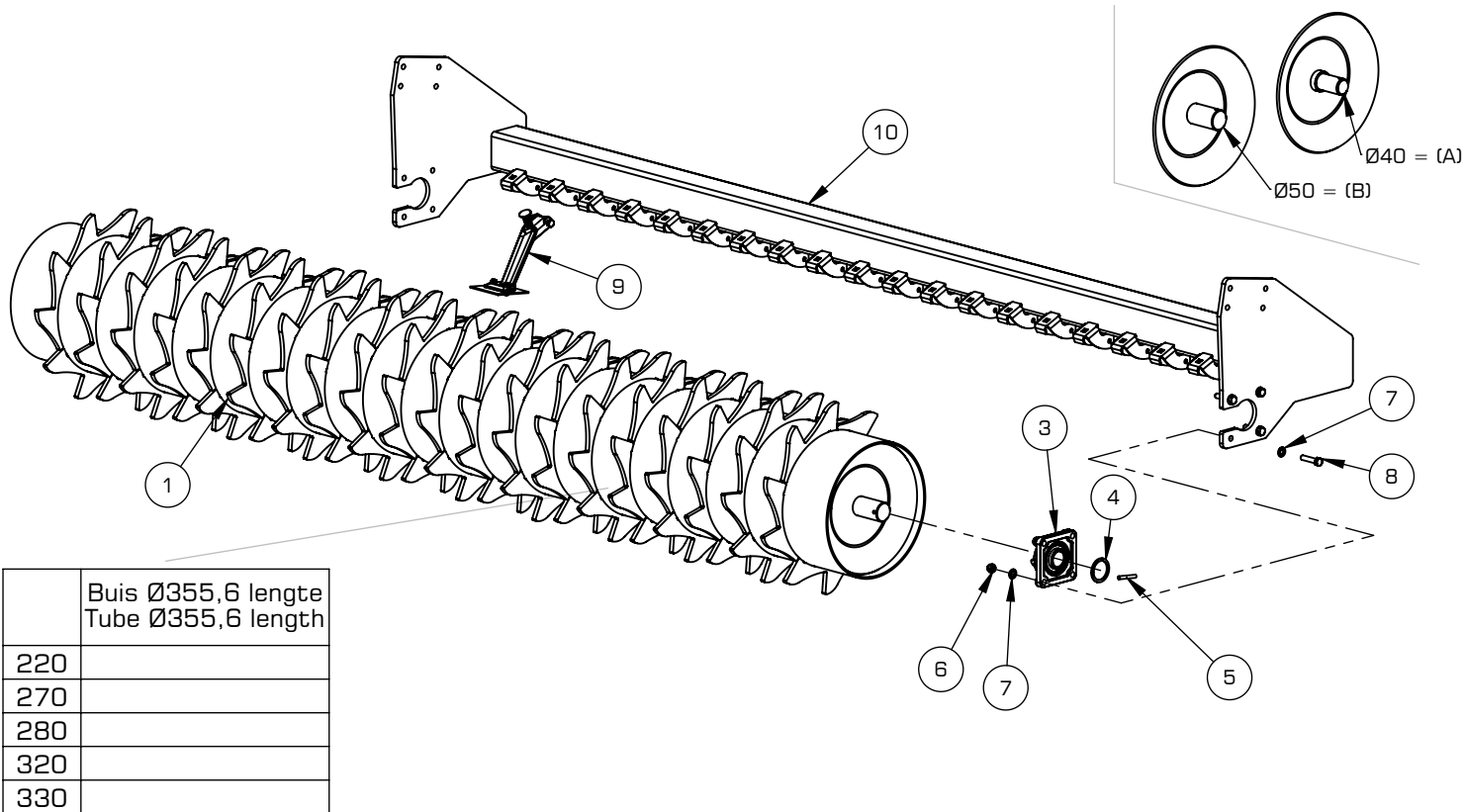
Ref.	Onderdeelnr. Part number Reference Teilnummer	Aantal Quantity Quantite Anzahl		
		400	450	
1	799-400-005-500	(1)	-	(A) = Ø40
	799-400-005-501	1	-	(B) = Ø50
	799-450-005-500	-	(1)	(A) = Ø40
	799-450-005-501	-	1	(B) = Ø50
3	957-010-003		2	(B) = UCF210 TR (Ø50)
	957-010-002		(2)	(A) = UCF208 TR (Ø40)
4	9.1052.0005.2		~	(B) = 50 x 62 x 3
	9.1052.0001.5		(~)	(A) = 40 x 50 x 2,5
5	9.1070.0024.3		2	Ø8 x 60 DIN 1481
6	961-041-012		8	(B) = M16 DIN 985 8.8
	961-041-009		(8)	(A) = M12 DIN 985 8.8
7	961-020-011		16	(B) = M16 DIN 125A
	961-020-009		(16)	(A) = M12 DIN 125A
8	961-001-065		8	(B) = M16x60 Din 931 8.8
	961-001-013		(8)	(A) = M12x55 DIN 931 8.8
9	700-300-006-905	28	32	Pag.11
10	799-400-101-500	(1)	-	(A) => UCF208 TR (Ø40)
	799-400-101-501	1	-	(B) => UCF210 TR (Ø50)
	799-450-101-500	-	(1)	(A) => UCF208 TR (Ø40)
	799-450-101-501	-	1	(B) => UCF210 TR (Ø50)

Pakkerrol
Packer roller
Rouleau packer
Zahnpackerwalze

Ø500



2,2m - 2,7m - 2,8m - 3,3m - 3,2m

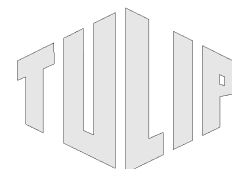


	Buis Ø355,6 lengte Tube Ø355,6 length
220	
270	
280	
320	
330	

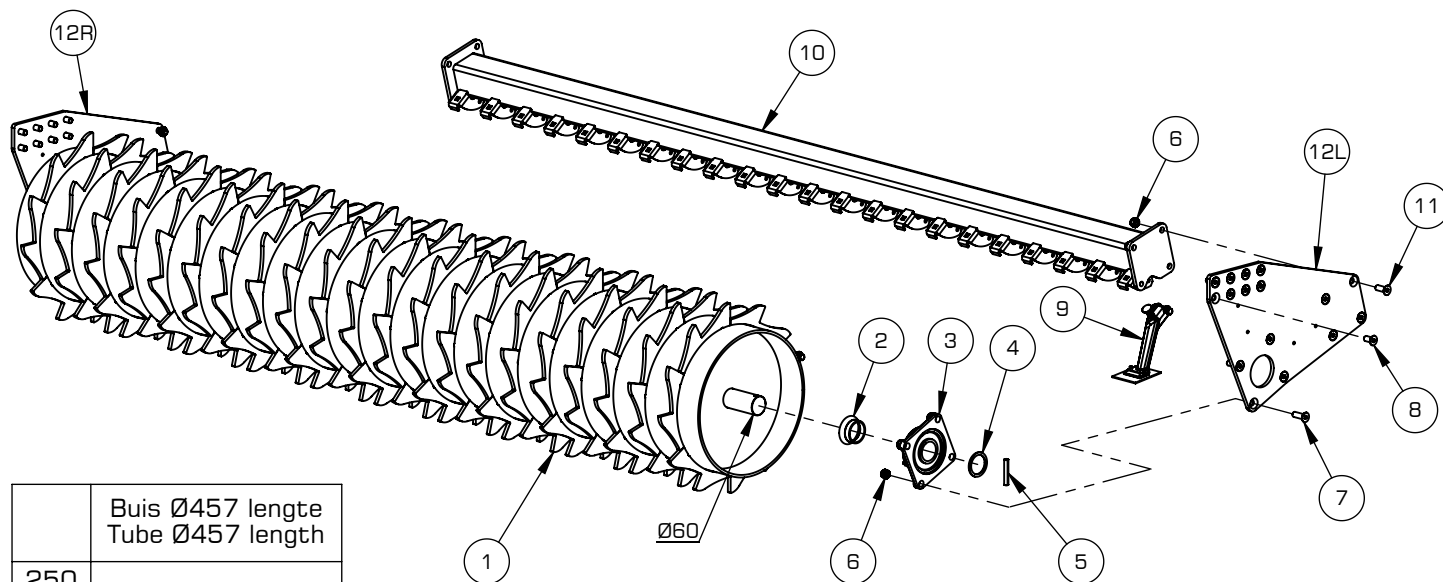
Ref.	Onderdeelnr. Part number Reference Teilnummer	Aantal Quantity Quantite Anzahl					
		500-55		600-55		320	
		280	220	330	270		
1	799-400-005-500	(1)	-	(2)	-		(A) = Ø40
	799-400-005-501	1	-	2	-		(B) = Ø50
	799-450-005-500	-	(1)	-	(2)		(A) = Ø40
	799-450-005-501	-	1	-	2		(B) = Ø50
2							
3	957-010-003	2		4			(B) = UCF210 TR (Ø50)
	957-010-002	(2)		(4)			(A) = UCF208 TR (Ø40)
4	9.1052.0005.2	~		~			(B) = 50 x 62 x 3
	9.1052.0001.5	(~)		(~)			(A) = 40 x 50 x 2,5
5	9.1070.0024.3	2		4			Ø8 x 60 DIN 1481
6	961-041-012	8		16			(B) = M16 DIN 985 8.8
	961-041-009	(8)		(16)			(A) = M12 DIN 985 8.8
7	961-020-011	16		32			(B) = M16 DIN 125A
	961-020-009	(16)		(32)			(A) = M12 DIN 125A
8	961-001-065	8		16			(B) = M16x60 Din 931 8.8
	961-001-013	(8)		(16)			(A) = M12x55 DIN 931 8.8
9	700-300-006-905	20	16	24	19		Page 11
10	799-400-101-500	(1)	-	(2)	-		(A)=> UCF208 TR (Ø40)
	799-400-101-501	1	-	2	-		(B)=> UCF210 TR (Ø50)
	799-450-101-500	-	(1)	-	(2)		(A)=> UCF208 TR (Ø40)
	799-450-101-501	-	1	-	2		(B)=> UCF210 TR (Ø50)

Pakkerrol
Packer roller
Rouleau packer
Zahnpackerwalze

Ø600



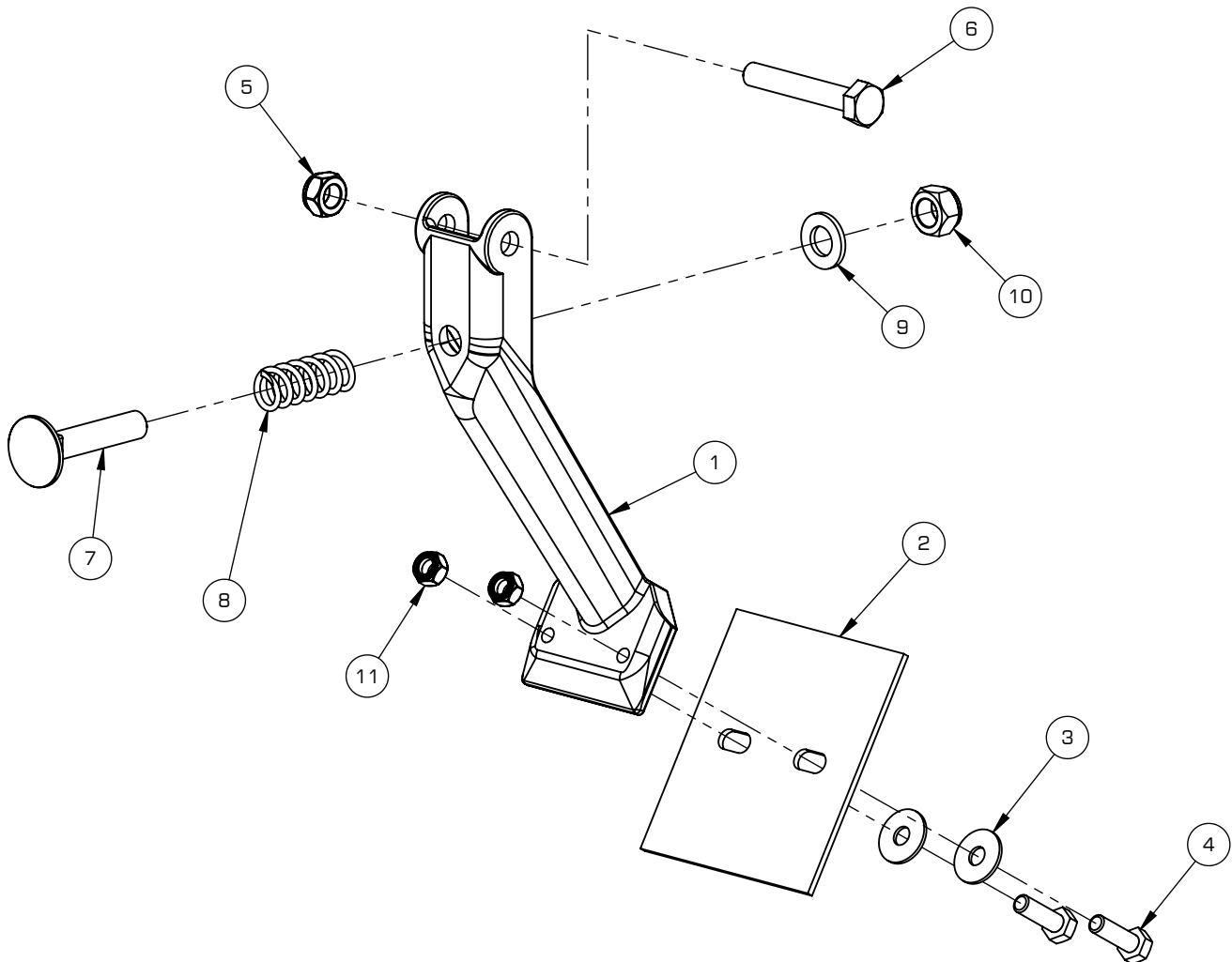
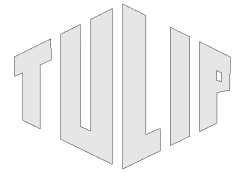
2,5m - 3,0m - 3,5m - 4,0m - 4,5m



	Buis Ø457 lengte Tube Ø457 length
250	
300	2930 mm.
350	
400	
450	

Ref.	Onderdeelnr. Part number Reference Teilnummer	Aantal Quantity Quantite Anzahl					
		250	300	350	400	450	
1	799-250-006-500	1	-	-	-	-	
	799-300-006-500	-	1	-	-	-	
	799-350-006-500	-	-	1	-	-	
	799-400-006-500	-	-	-	1	-	
	799-450-006-500	-	-	-	-	1	
2	799-300-006-007			2			
3	957-010-004			2			UCF212 (Ø60)
4	799-300-006-006			~			76 x 60 x 3
5	9.1070.0051.2			2			Ø13 x 80 DIN 1481
6	961-041-012			16			M16 DIN 985 8.8
7	961-005-022			8			M16x50 DIN 7991 10.9
8	961-005-019			16			M16x35 DIN 7991 10.9
9	700-300-006-905	18	22	25	28	32	Pag. 11
10	799-250-102-500	1	-	-	-	-	
	799-300-102-500	-	1	-	-	-	
	799-350-102-500	-	-	1	-	-	
	799-400-102-500	-	-	-	1	-	
	799-450-102-500	-	-	-	-	1	
11	961-005-021			8			M16x45 DIN 7991 10.9
12L	799-300-102-003 (L)			1			
12R	799-300-102-003 (R)			1			

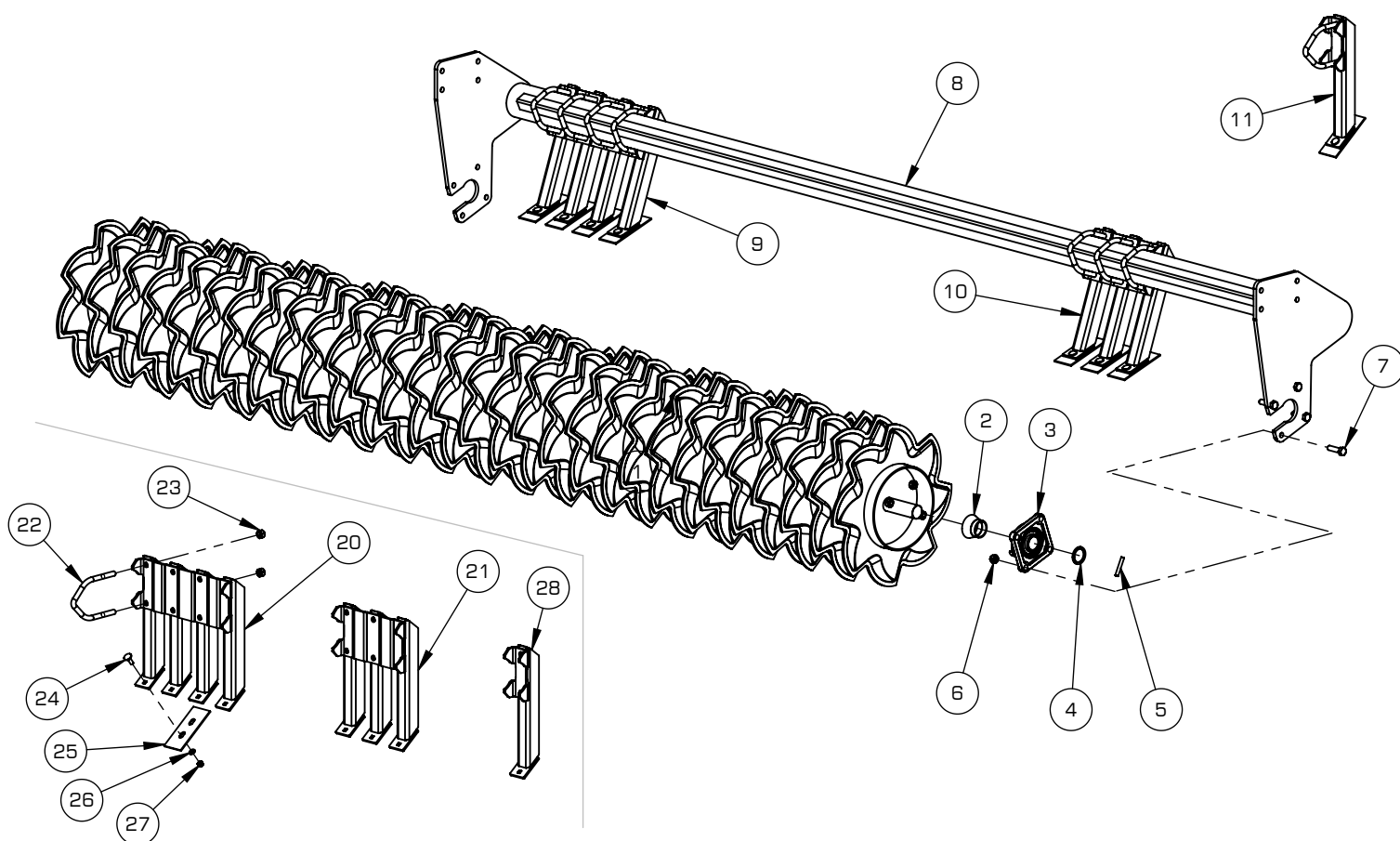
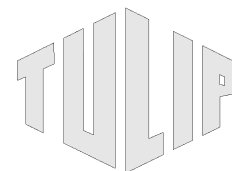
Schraper samenstelling
 Scraper assembly
 Décrottoir unité
 Abstreifer Zusammensetzung



Ref.	Onderdeelnr. Part number Reference Teilnummer	Aantal Quantity Quantite Anzahl														
		180	200	220	225	250	270	280	300	320	330	350	400	450		
1	1.1645.2945.0	12	14	16	16	18	19	20	22	23	24	25	28	32		
2	1.1645.2944.0	12	14	16	16	18	19	20	22	23	24	25	28	32		
3	961-022-012	24	28	32	32	36	38	40	44	46	48	50	56	64	M8 DIN 9021	
4	961-002-093	24	28	32	32	36	38	40	44	46	48	50	56	64	M8x25 DIN 933 8.8	
5	961-041-008	12	14	16	16	18	19	20	22	23	24	25	28	32	M10 DIN 985 8.8	
6	961-001-005	12	14	16	16	18	19	20	22	23	24	25	28	32	M10x65 DIN 931 8.8	
7	1.1655.0764.0	12	14	16	16	18	19	20	22	23	24	25	28	32	M12x60 DIN 603 8.8	
8	1.1655.0763.0	12	14	16	16	18	19	20	22	23	24	25	28	32		
9	961-020-009	12	14	16	16	18	19	20	22	23	24	25	28	32	M12 DIN 9021	
10	961-041-009	12	14	16	16	18	19	20	22	23	24	25	28	32	M12 DIN 985 8.8	
11	961-041-018	24	28	32	32	36	38	40	44	46	48	50	56	64	M8 DIN 985 8.8	

Sterpakterrol
 Star packer roller
 Rouleau-paker en etoile
 Sternpackerwalze

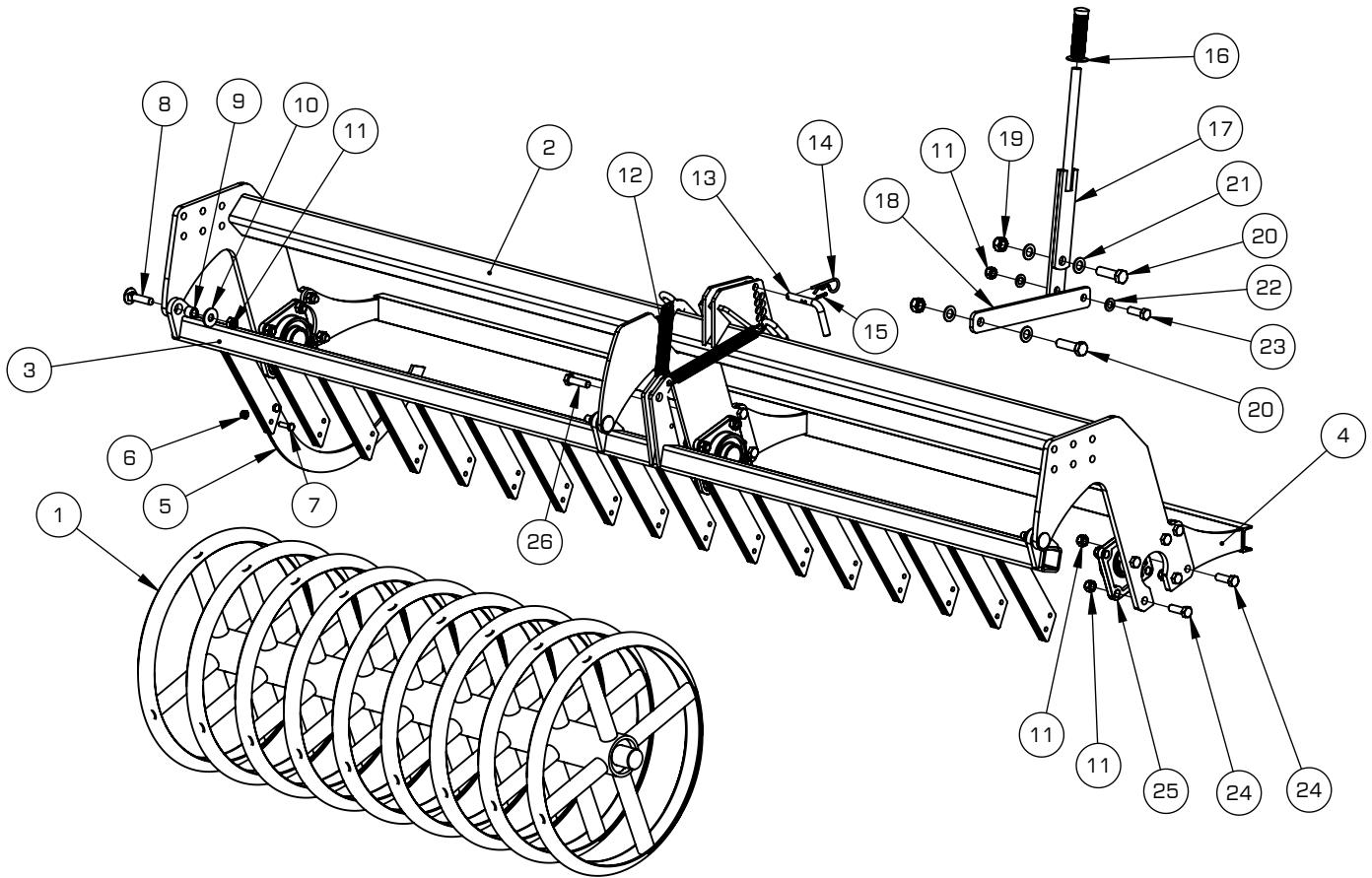
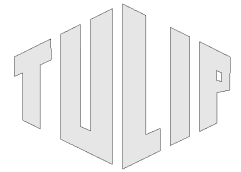
Ø440



Ref.	Onderdeelnr. Part number Reference Teilnummer	Aantal Quantity Quantite Anzahl		
		250	300	
1	799-250-008-500	1	-	
	799-300-008-500	-	1	
2	1.1624.2460.0	2		
3	957-010-033	2		UCF207 TR (Ø35)
4	9.1052.0006.3	~		35 x 45 x 2,5 DIN 988
5	9.1070.0023.2	2		Ø8 x 50 DIN 1481
6	961-041-009	8		M12 DIN 985 8.8
7	961-001-013	8		M12x55 DIN 931 8.8
8	799-250-104-500	1	-	
	799-300-104-500	-	1	
9	799-030-104-910	6	5	
10	799-030-104-911	-	3	
11	799-300-104-909	-	-	
		250	300	
20	1.1652.0400.0	6	5	
21	1.1652.0410.0	-	3	
22	1.1606.4075.0	24	29	
23	961-041-009	48	58	
24	961-003-015	24	29	
25	1.1606.3479.0	24	29	
26	961-020-016	24	29	
27	961-041-018	24	29	
* 28	1.1652.0420.0	~	~	

Ringrol
Ring roller
Rouleau Anneaux
Ringwalze

Ø600



Ref.	Onderdeelnr. Part number Reference Teilnummer	Aantal Quantity Quantite Anzahl					
		200	225	250	300	350	400
1	799-200-007-500	2	-	-	-	-	-
	799-225-007-500	-	2	-	-	-	-
	799-250-007-500	-	-	2	-	-	-
	799-300-007-500	-	-	-	2	-	-
	799-350-007-500	-	-	-	-	2	-
	799-400-007-500	-	-	-	-	-	2
2	799-200-105-501	1	-	-	-	-	-
	799-225-105-501	-	1	-	-	-	-
	799-250-105-501	-	-	1	-	-	-
	799-300-105-501	-	-	-	1	-	-
	799-350-105-501	-	-	-	-	1	-
	799-400-105-501	-	-	-	-	-	1
3	799-200-105-502	1	-	-	-	-	-
	799-225-105-502	-	1	-	-	-	-
	799-250-105-502	-	-	1	-	-	-
	799-300-105-502	-	-	-	1	-	-
	799-350-105-502	-	-	-	-	1	-
	799-400-105-502	-	-	-	-	-	1
4	799-200-105-503	1	-	-	-	-	-
	799-225-105-503	-	1	-	-	-	-
	799-250-105-503	-	-	1	-	-	-
	799-300-105-503	-	-	-	1	-	-
	799-350-105-503	-	-	-	-	1	-
	799-400-105-503	-	-	-	-	-	1

Ref.	Onderdeelnr. Part number Reference Teilnummer	Aantal Quantity Quantite Anzahl						
		200	225	250	300	350	400	
5	799-300-105-028	11	13	15	17	21	25	
6	961-041-008	22	26	30	34	42	50	M8 DIN 985 8.8
7	961-002-006	22	26	30	34	42	50	M10x35 DIN 933 8.8
8	961-003-022	3						M16x70 DIN 603 8.8
9	745-300-004-015	3						
10	961-022-005	3						M16 DIN 9021
11	961-041-012	22						M16 DIN 985 8.8
12	2.1004.1769.0	2						
13	1.1659.1496.0	1						
14	960-030-127	1						
15	961-166-002	1						Ø6 x 30 DIN 1481
16	960-010-001	1						
17	799-300-105-505	1						
18	799-300-105-027	1						
19	961-041-015	1						M20 DIN 985
20	961-002-053	2						M20x70 DIN 933 8.8
21	961-020-013	4						M20 DIN 125A
22	961-020-011	2						M16 DIN 125A
23	961-002-041	1						M16x45 DIN 933 8.8
24	961-002-042	14						M16x50 DIN 933 8.8
25	957-010-003	4						UCF210
26	961-001-065	4						M16x60 DIN 931 8.8