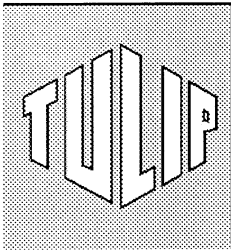


**ONDERDELENLIJST
PARTS LIST
LISTE DE PIÈCES DE RECHANGE
ERSATZTEILLISTE**

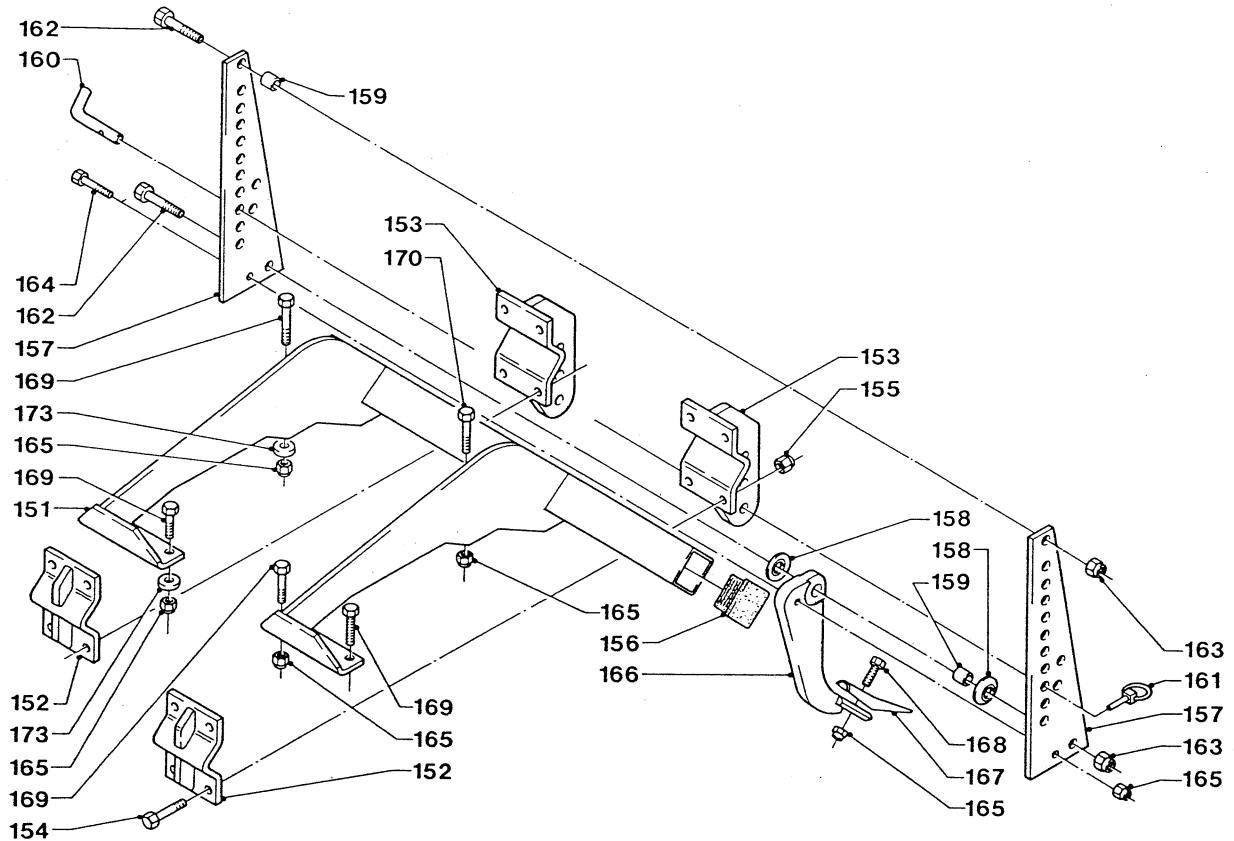
**SPORENWISSERS
TRACK ERADICATORS
EFFACEURS DE TRACES
SPURLOCKERER**

ROTERRA	type nummer type number numéro de type Typnummer	vanaf serienummer as from serial number après numéro de serie ab Seriennummer
300-15/22/25		1000 - 0501
35/45/55/66		1000 - 0501





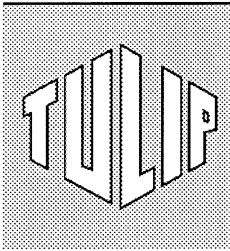
ROTERRA	type number type number numéro de type Typnummer	vanaf serienummer as from serial number après numéro de serie ab Seriennummer
22		1000 - 0501



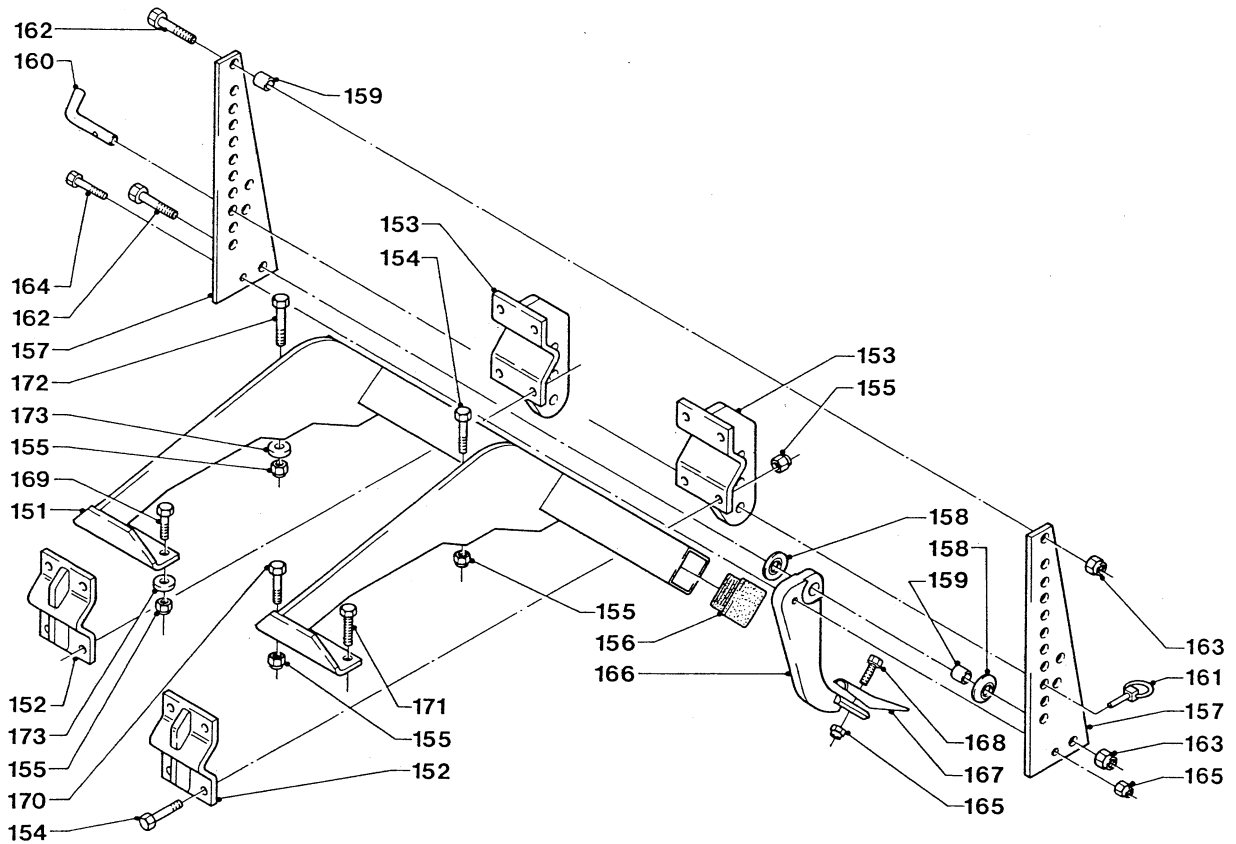
C121.01

REF.	ONDERDEELNR. PART NUMBER REFERENCE TEILNUMMER	AANTAL QUANTITY QUANTITE ANZAHL	
151	1.1606.0940.0	1	[R]
	1.1606.0950.0	1	[L]
152	1.1645.2651.0	4	
153	1.1645.2662.0	4	
154	9.1113.0242*3	16	M12x60 DIN 931-10.9
155	9.1030.0024*1	16	M12 DIN 985-10
156	9.1108.0033.2	4	#60
157	1.1645.2697.0	8	
158	9.1091.0011.4	8	Ø40x20,4x2 B40 DIN 2093
159	1.1645.2675.0	8	
160	1.1645.2676.0	8	
161	9.1123.0003*6	8	6x6
162	9.1113.0157*2	8	M14x60 DIN 931-8.8
163	9.1030.0015*6	8	M14 DIN 985-8
164	9.1113.0036*0	4+(10)	M10x55 DIN 931-8.8
165	9.1030.0018*2	20+(10)	M10 DIN 985-10
166	1.1645.2677.0	4	
167	9.1180.0705.0	4	
168	9.1114.0016.0	4	M10x45 8.8 DS 6007
169	9.1113.0034*5	10	M10x45 DIN 931-10.9
170	9.1113.0109*3	2	M10x50 DIN 931-10.9
173	1.1606.0939.0	6	5 mm

REF.	ONDERDEELNR. PART NUMBER REFERENCE TEILNUMMER	AANTAL QUANTITY QUANTITE ANZAHL	
199	1.1606.0930.0	1	= REF. 151-173



ROTERRA	type number type number numéro de type Typnummer	vanaf serienummer as from serial number après numéro de serie ab Seriennummer
15/25/35/45/55/66		1000 - 0501



C121.01

REF.	ONDERDEELNR. PART NUMBER REFERENCE TEILNUMMER	AANTAL QUANTITY QUANTITE ANZAHL	
------	--	--	--

151	1.1645.2642.0	1	[R]
	1.1645.2632.0	1	[L]
152	1.1645.2651.0	4	
153	1.1645.2662.0	4	
154	9.1113.0242*3	22	M12x60 DIN 931-10.9
155	9.1030.0024*1	36	M12 DIN 985-10
156	9.1108.0033.2	4	#60
157	1.1645.2697.0	8	
158	9.1091.0011.4	8	Ø40x20,4x2 B40 DIN 2093
159	1.1645.2675.0	8	
160	1.1645.2676.0	8	
161	9.1123.0003*6	8	6x6
162	9.1113.0157*2	8	M14x60 DIN 931-8.8
163	9.1030.0015*6	8	M14 DIN 985-8
164	9.1113.0036*0	4+(10)	M10x55 DIN 931-8.8
165	9.1030.0018*2	8+(10)	M10 DIN 985-10
166	1.1645.2677.0	4	
167	9.1180.0705.0	4	
168	9.1114.0016.0	4	M10x45 8.8 DS 6007
169	9.1113.0252*6	8	M12x45 DIN 931-10.9
170	9.1113.0226*1	10	M12x50 DIN 931-10.9
171	9.1113.0233*1	2	M12x55 DIN 931-10.9
172	9.1113.0251*5	2	M12x70 DIN 931-10.9
173	1.1645.2673.0	6	6 mm
	1.1645.2674.0	8	8 mm

REF.	ONDERDEELNR. PART NUMBER REFERENCE TEILNUMMER	AANTAL QUANTITY QUANTITE ANZAHL	
------	--	--	--

199	1.1645.2622.0	1	= REF. 151-173
-----	---------------	---	----------------

