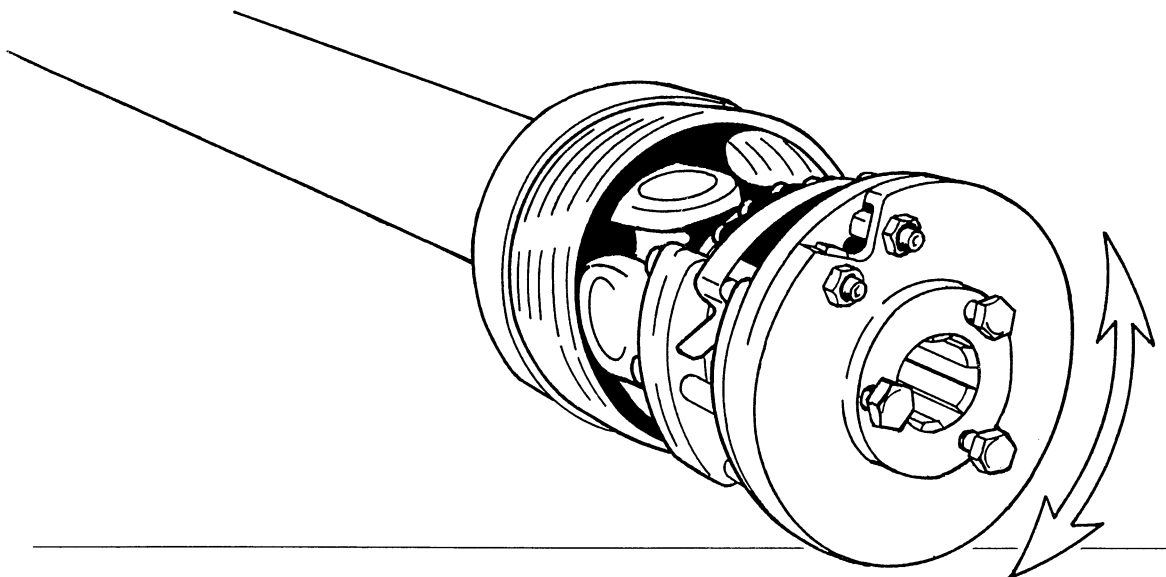


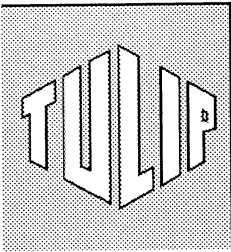
ONDERDELENLIJST  
PARTS LIST  
LISTE DE PIECES DE RECHANGE  
ERSATZTEILLISTE

## LELYMATIC

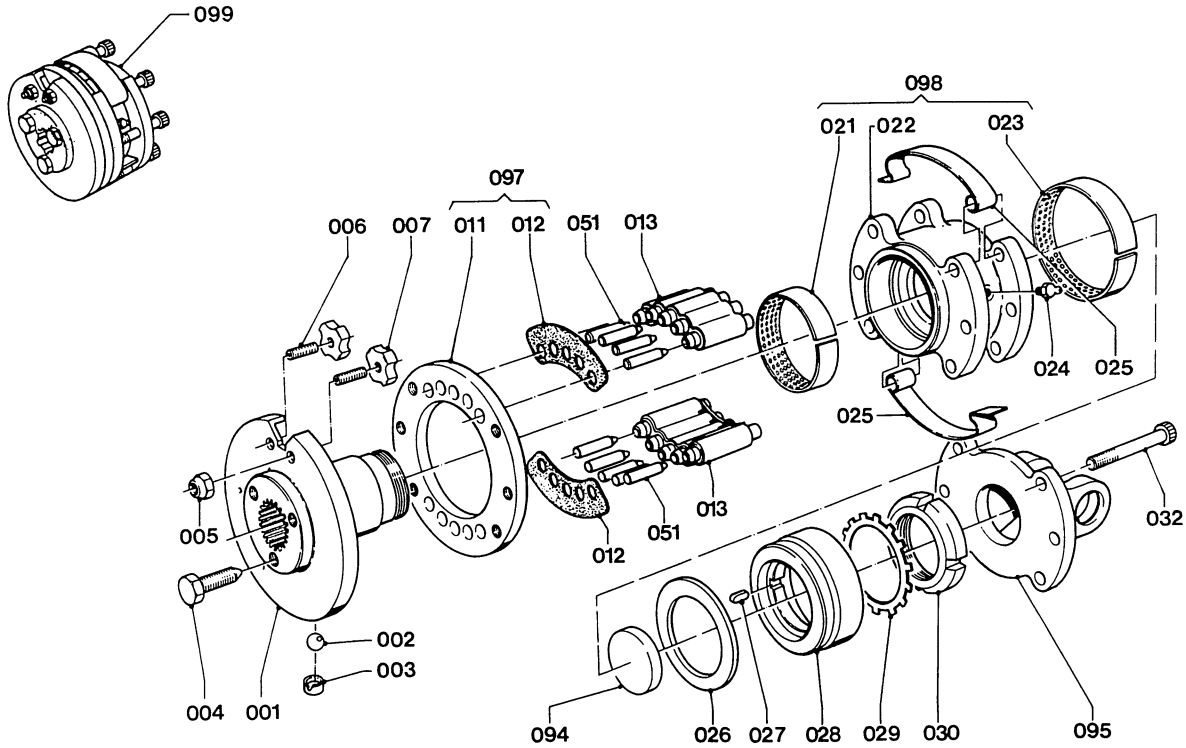
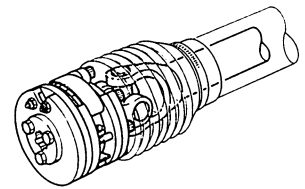


LELYMATIC	type number type number numéro de type Typnummer	vanaf serienummer as from serial number après numéro de serie ab Seriennummer
BA.8 - 1.3/8" (6)	0.9001.1650.1	10405 - 0000
BA.9 - 1.3/8" (6)	0.9001.1670.1	10405 - 0000
BA.10-1.3/8" (6)	0.9001.1690.1	10407 - 0000
BA.9 - 1.3/8" (21)	0.9001.1630.1	1001 - 0000
BA.10-1.3/8" (21)	0.9001.1610.1	1001 - 0000
BA.9 - 1.3/4" (6)	0.9001.1540.1	1001 - 0000





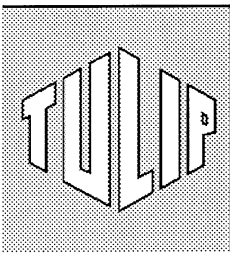
LELYMATIC	type nummer type number numéro de type Typnummer	vanaf serienummer as from serial number après numéro de serie ab Seriennummer	
BA.8 - 1.3/8" (6)	0.9001.1650.1	10405 - 0000	LT-15/25 1000/min.
BA.9 - 1.3/8" (6)	0.9001.1670.1	10405 - 0000	LT-15/25 540/min.
BA.10-1.3/8" (6)	0.9001.1690.1	10407 - 0000	
BA.9 - 1.3/8" (21)	0.9001.1630.1	1001 - 0000	LT-35/45/55 1000/min.
BA.10-1.3/8" (21)	0.9001.1610.1	1001 - 0000	LT-35 540/min.



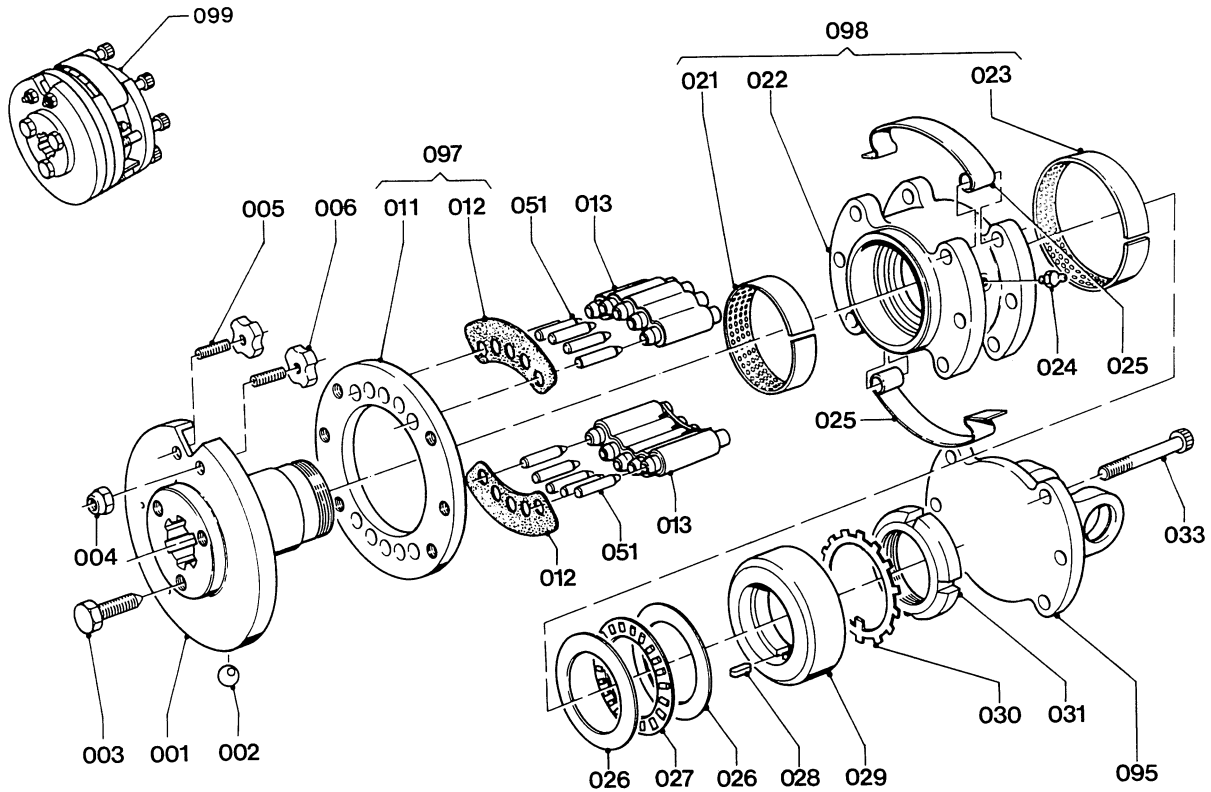
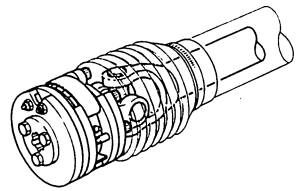
D05.02

REF.	ONDERDEELNR. PART NUMBER REFERENCE TEILNUMMER	AANTAL QUANTITY QUANTITE ANZAHL	
001	0.9001.1659.0	1	1.3/8" (6)
	0.9001.1625.0	1	1.3/8" (21)
002	9.1021.0002.2	3	Ø1/2"
003	0.9001.1086.0	3	
004	0.9001.1080.0	3	
005	9.1030.0004*2	2	M10 DIN 985-8
006	9.1063.0009.2	2	M10x30 DIN 913-45H
007	0.9001.1658.0	2	8 mm
	0.9001.1649.0	2	9 mm
	0.9001.1624.0	2	10 mm
011	[#]	1	Cpl.= REF. 097
012	0.9001.1081.0	2	
013	0.9001.1010.0	2	Cpl.
021	0.9001.1626.0	1	
022	[#]	1	Cpl.= REF. 098
023	0.9001.1628.0	1	
024	9.1068.0007*2	1	AM8x1,25 DIN 71412
025	0.9001.1085.0	2	
026	9.1007.0005.5	1	
027	9.1071.0041.5	1	A6x4x12 DIN 6885
028	0.9001.1629.0	1	
029	9.1118.0004.5	1	MB 9
030	9.1035.0004.4	1	M45x1,5 KM9
032	9.1057.0020*5	6	M12x90 DIN 912-12.9

REF.	ONDERDEELNR. PART NUMBER REFERENCE TEILNUMMER	AANTAL QUANTITY QUANTITE ANZAHL	
051	0.9001.1090.1	(= 10x)	Ø8-0 LT-15/25 1000/min.
	0.9001.1091.1	(= 10x)	Ø8-1
	0.9001.1092.1	(= 10x)	Ø8-2
051	0.9001.1147.1	(= 10x)	Ø9-0 LT-35 1000/min.
	0.9001.1148.1	(= 10x)	Ø9-1 LT-45/55 1000/min.
	0.9001.1148.1	(= 10x)	Ø9-1 LT-15/25 540/min.
	0.9001.1149.1	(= 10x)	Ø9-2 LT-35 540/min.
051	0.9001.1248.1	(= 10x)	Ø10-0
	0.9001.1249.1	(= 10x)	Ø10-1 LT-35 540/min.
094	9.1108.0069.4	1	W2500
095	0.9001.1083.0	1	W2400
	0.9001.1198.0	1	W2500
097	0.9001.1084.1	1	= REF. 011+012 8 mm
	0.9001.1144.1	1	= REF. 011+012 9 mm
	0.9001.1244.1	1	= REF. 011+012 10 mm
098	0.9001.1627.2	1	= REF. 021-023 W2400 / W2500
099	0.9001.1650.0	1	= REF. 001-032 BA.8 - 1.3/8" (6)
	0.9001.1670.0	1	= REF. 001-032 BA.9 - 1.3/8" (6)
	0.9001.1690.0	1	= REF. 001-032 BA.10-1.3/8" (6)
099	0.9001.1630.0	1	= REF. 001-032 BA.9 - 1.3/8" (21)
	0.9001.1610.0	1	= REF. 001-032 BA.10-1.3/8" (21)



LELYMATIC	type number type number numéro de type Typnummer	vanaf serienummer as from serial number après numéro de serie ab Seriennummer	
BA.9-1.3/4" (6)	0.9001.1540.0	948 - 0000	ROTERRA 500/600-55
	0.9001.1540.2	970 - 0000	ROTERRA 500/600-55
	0.9001.1540.1	1001 - 0000	ROTERRA 500/600-55



D02.03

REF.	ONDERDEELNR. PART NUMBER REFERENCE TEILNUMMER	AANTAL QUANTITY QUANTITE ANZAHL	
001	0.9001.1586.0	1	1.3/4" (6)
002	9.1021.0005.5	3	Ø16 mm
003	0.9001.1080.0	3	
004	9.1030.0004*2	2	M10 DIN 985-8
005	9.1063.0009.2	2	M10x30 DIN 913-45H
006	0.9001.1579.0	2	
011	[#]	1	Cpl.= REF. 097
012	0.9001.1587.0	2	
013	0.9001.1550.0	2	Cpl.
021	0.9001.1580.0	1	
022	[#]	1	Cpl.= REF. 098
023	0.9001.1581.0	1	
024	9.1068.0007*2	1	AM8x1,25 DIN 71412
025	0.9001.1588.0	2	
026	9.1007.0007.0	2	XWA 659001
027	9.1007.0006.6	1	XRK 659003
028	9.1071.0043.0	1	A8x5x12 DIN 6885
029	0.9001.1583.0	1	
030	9.1118.0010.4	1	MB 12
031	9.1035.0008.1	1	M60x2,0 KM12
033	9.1057.0020*5	6	M12x90 DIN 912-12.9

REF.	ONDERDEELNR. PART NUMBER REFERENCE TEILNUMMER	AANTAL QUANTITY QUANTITE ANZAHL	
051	0.9001.1147.1	(= 10x)	Ø9-0
	0.9001.1148.1	(= 10x)	Ø9-1
	0.9001.1149.1	(= 10x)	Ø9-2
095	0.9001.1589.0	1	W2600
097	0.9001.1585.1	1	= REF. 011+012 9 mm
098	0.9001.1584.2	1	= REF. 021-023 W2600
099	0.9001.1540.0	1	= REF. 001-033 BA.9-1.3/4" (6) W2600

